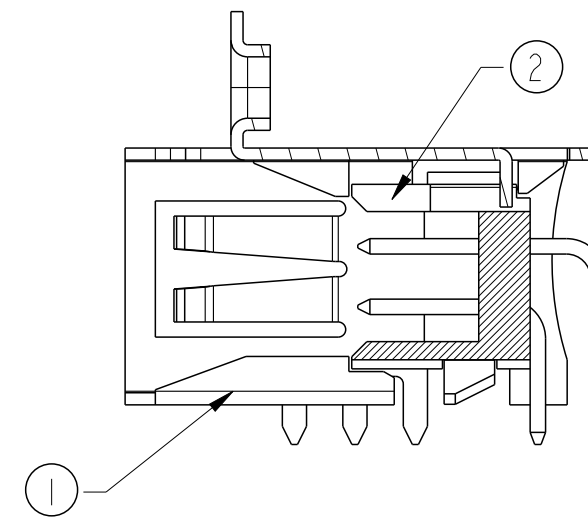
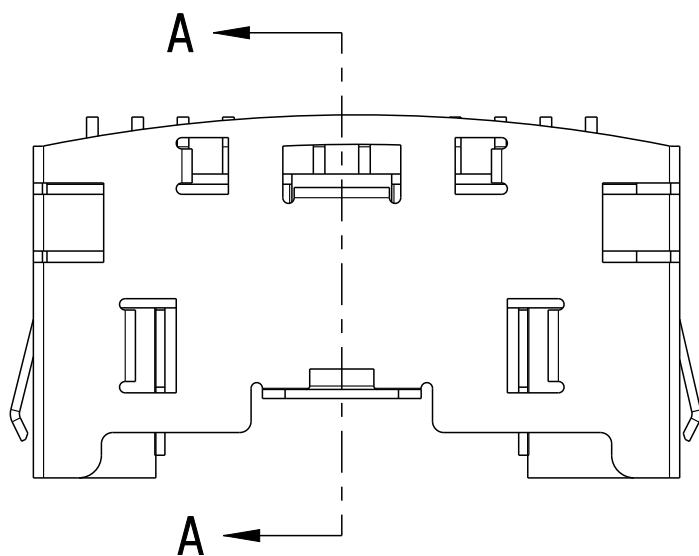
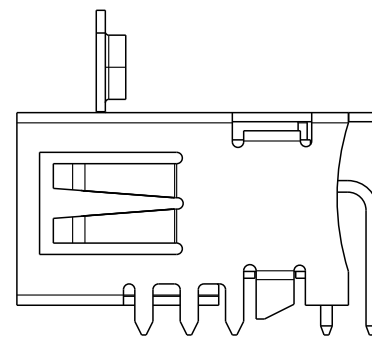
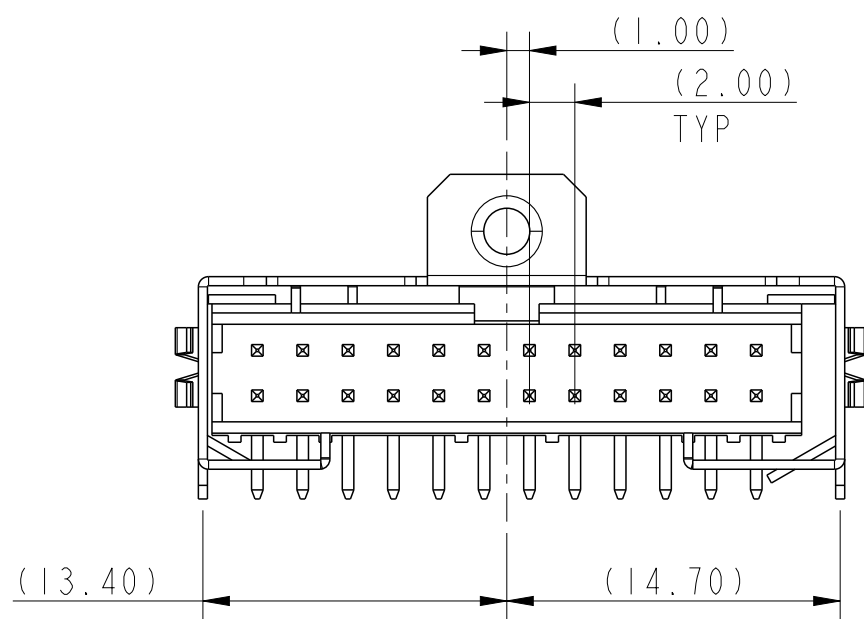


PRODUCT NUMBER
10069230-001ALF



SECTION A-A
SCALE 4:1



NOTES:

- PART NUMBERS WITH 'LF' SUFFIX ARE LEAD FREE.
- MOUNTING SCREW FOR ASSEMBLY IS NOT SUPPLIED BY FCI.
- P/N WAS SK-49152.
- SIGNAL SHIELD (ITEM NO. 1)
MATERIAL: PHOSPHOR BRONZE 0.4mm THICK WITH H04 TEMPER PLATED WITH 1.27-2.54um NICKEL .
- EDGES OF THE SHIELD WILL BE UNPLATED.

PACKAGE:
10069230-001XLF
NONE: TRAY
A: TAPE AND REEL

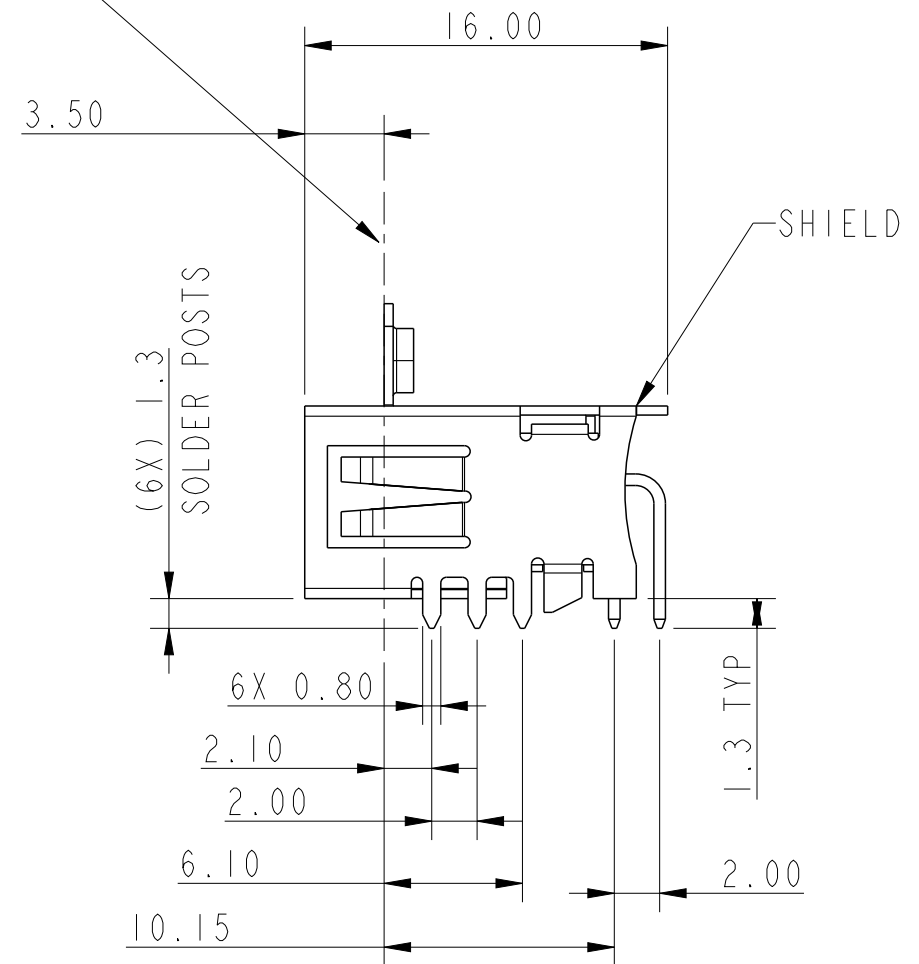
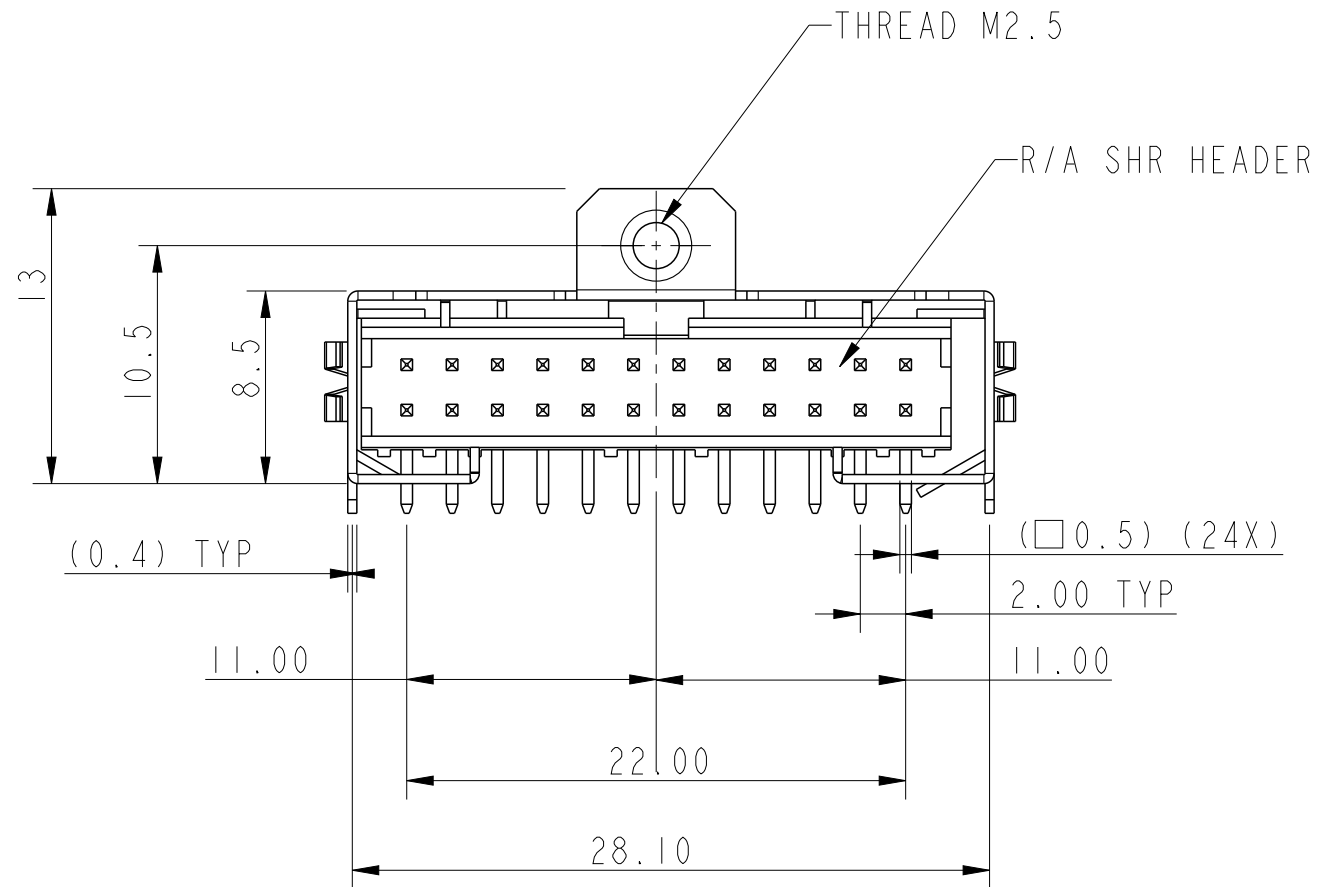
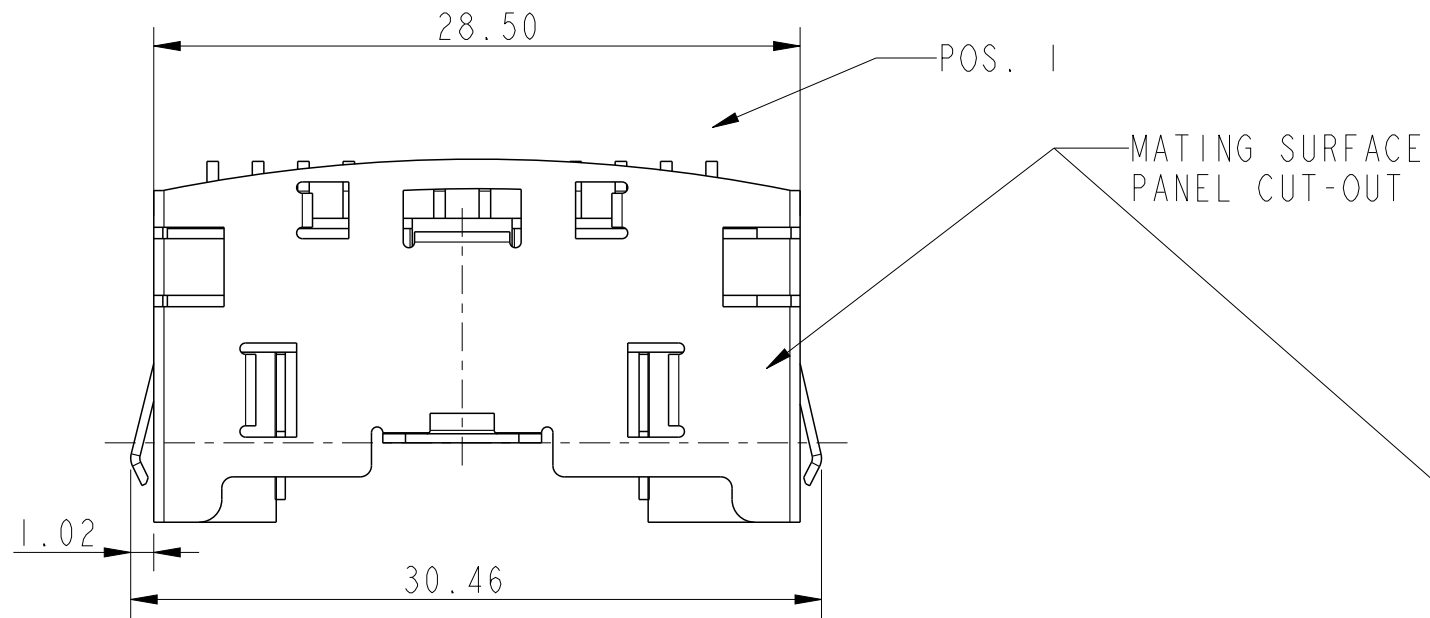
ITEM NO.	DESCRIPTION	QTY
1	SIGNAL SHIELD	1
2	R/A SHR HEADER ASSEMBLY	1

rev	ecn no	dr	date
A	V06-0554	DAI	2006-06-12
B	M06-0421	MHT	2006-10-24
C	V07-0050	MHT	2007-01-30
D	M07-0207	MHT	2007-05-04
E	ELX-N-26132	MZ	2017-02-22

spec ref	dr	Yong Huang	2010/10/28	projection	mm	size	A3	scale	3:1		
tolerance std	eng	Mike Zhou	2017/03/01			ecn no	ELX-N-26132-1				
TOLERANCES UNLESS OTHERWISE SPECIFIED		chr	-			product family	-	rel level	Released		
surface	linear	0.X	±0.3			SINGLE HEADER ASSEMBLY		dwg no	10069230	rev	E
		0.XX	±0.10	cat. no.	-	Product - Customer Drw		sheet 1 of 5			
		0.XXX	±0.050								
	angular	0°	±2°								

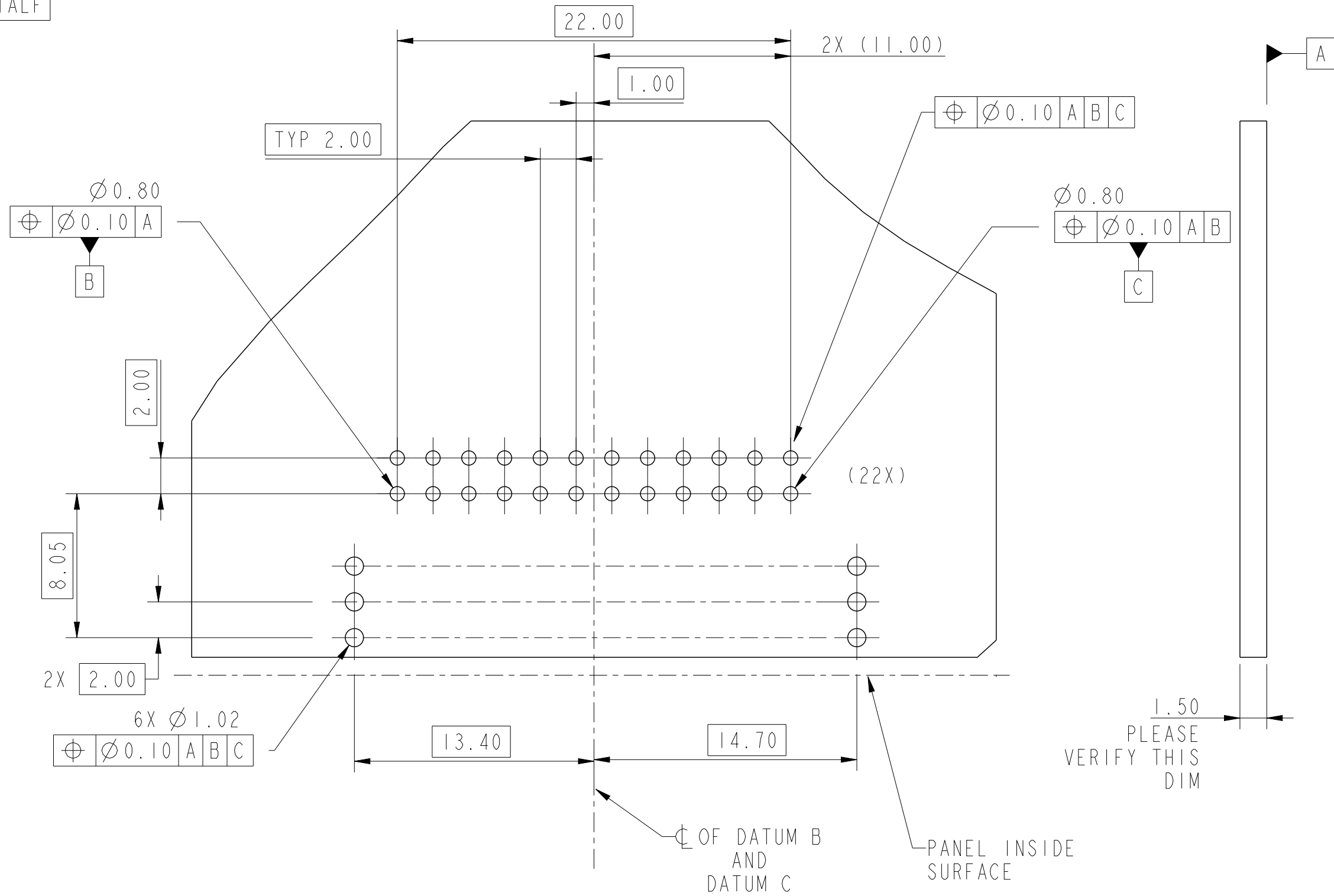
© 2016 AFCI

PRODUCT NUMBER
10069230-001ALF



spec ref	dr	Yong Huang	2010/10/28	projection	mm	size	A3	scale	3:1
tolerance std	eng	Mike Zhou	2017/03/01			ecn no	ELX-N-26132-1		
TOLERANCES UNLESS OTHERWISE SPECIFIED		chr	-			product family	-	rel level	Released
surface	<input checked="" type="checkbox"/> linear	0.X	±0.3	Amphenol FCI	title SINGLE HEADER ASSEMBLY	dwg no 10069230	rev E		
		0.XX	±0.10						
		0.XXX	±0.050						
	angular	0°	±2°	cat. no.	-	Product - Customer Drw	sheet 2 of 5		

PRODUCT NUMBER
10069230-001ALF

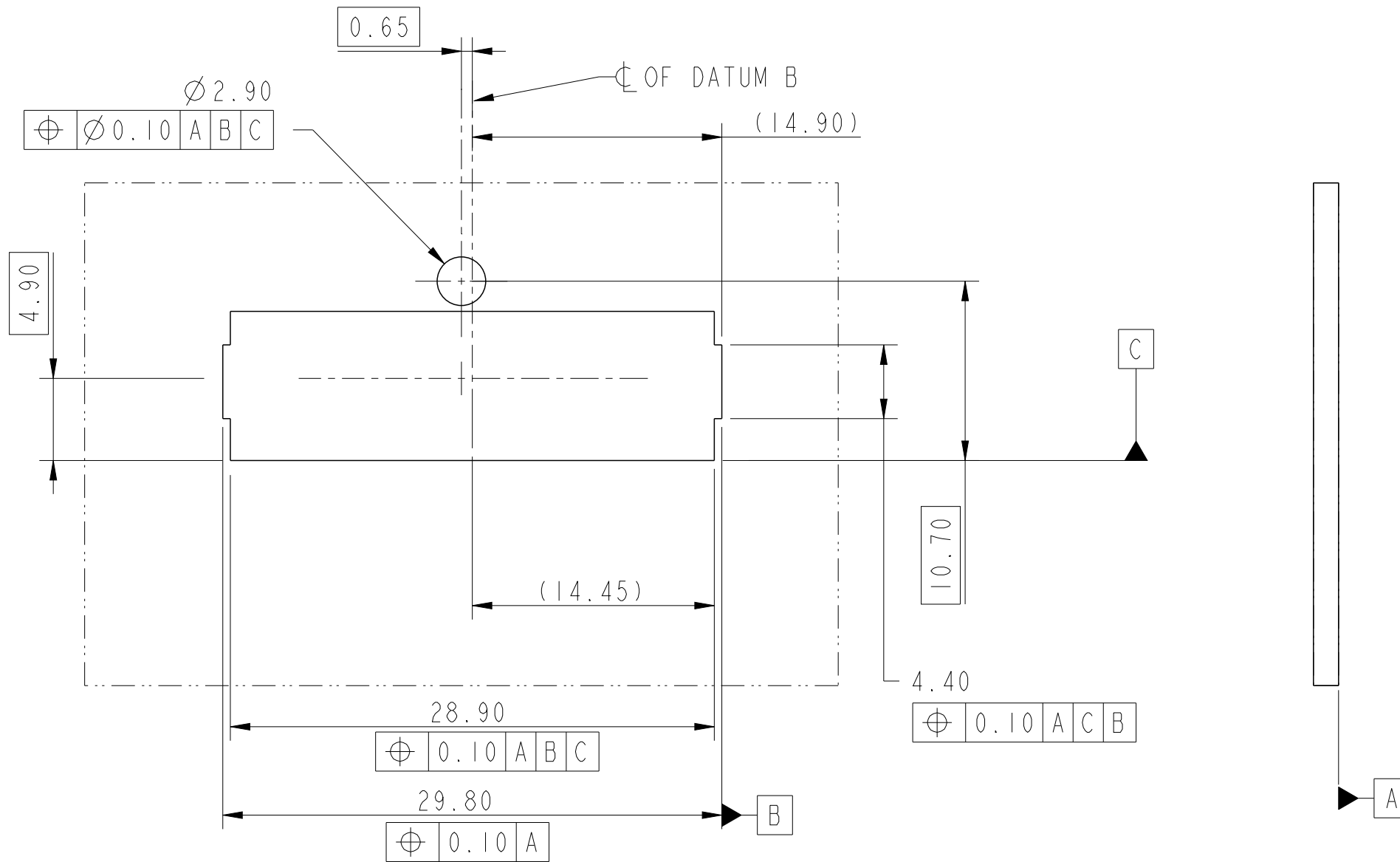


RECOMMENDED BOARD LAYOUT

SCALE 4:1

spec ref	dr	Yong Huang	2010/10/28	projection	mm	size	A3	scale	1:1	
tolerance std	eng	Mike Zhou	2017/03/01			ecn no	ELX-N-26132-1			
TOLERANCES UNLESS OTHERWISE SPECIFIED surface ✓ linear	chr	-	-			product family	-	rel level	Released	
	appr	Tim Yao	2017/03/02	Amphenol FCI SINGLE HEADER ASSEMBLY		dwg no	10069230		rev	E
	angular	0°	±2°	cat. no.	-	Product - Customer Drw		sheet 3 of 5		

PRODUCT NUMBER
10069230-001ALF

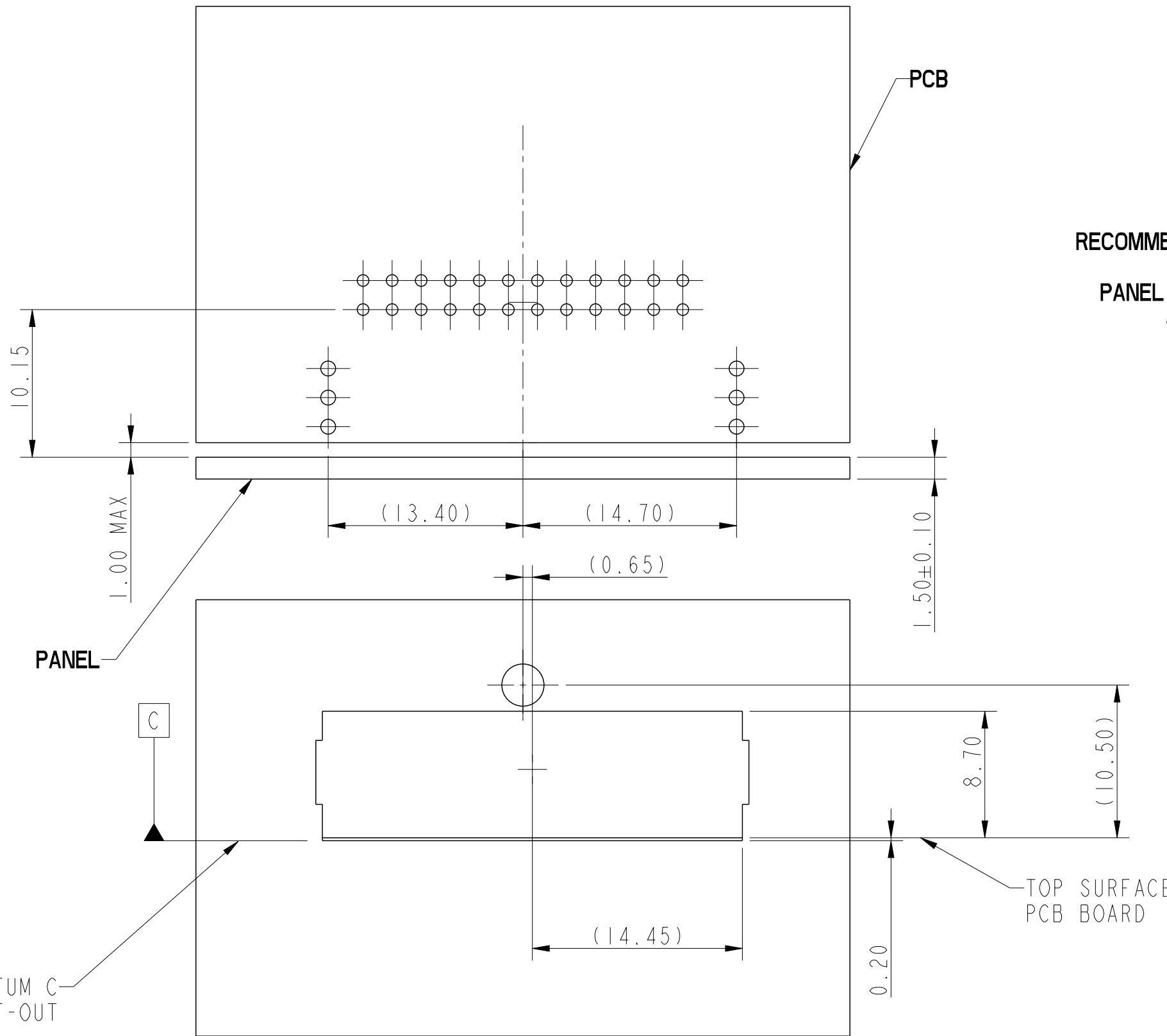


RECOMMENDED
PANEL CUT-OUT

SCALE 3:1

spec ref		dr	Yong Huang	2010/10/28	projection	mm	size	A3	scale	1:1
tolerance std		eng	Mike Zhou	2017/03/01			ecn no		ELX-N-26132-1	
TOLERANCES UNLESS OTHERWISE SPECIFIED		chr	-	-			rel level		Released	
surface	linear	0.X	±0.3		Amphenol FCI	SINGLE HEADER ASSEMBLY	dwg no 10069230	rev		E
		0.XX	±0.10							
	0.XXX	±0.050								
	angular	0°	±2°		cat. no.	-	Product - Customer Drw		sheet 4 of 5	

PRODUCT NUMBER
10069230-001ALF



Amphenol
FCi

© 2016 AFCI

spec ref		dr	Yong Huang	2010/10/28	projection	mm	size	A3	scale	1:1
tolerance std		eng	Mike Zhou	2017/03/01			ecn no		ELX-N-26132-1	
TOLERANCES UNLESS OTHERWISE SPECIFIED		chr	-	-			rel level		Released	
surface	linear	0.X	±0.3		Amphenol FCi	title SINGLE HEADER ASSEMBLY cat. no. - Product - Customer Drw	dwg no 10069230	rev		E
		0.XX	±0.10					sheet 5 of 5		
	0.XXX	±0.050								
	angular	0°	±2°							

X-ON Electronics

Largest Supplier of Electrical and Electronic Components

Click to view similar products for [Headers & Wire Housings](#) category:

Click to view products by [Amphenol](#) manufacturer:

Other Similar products are found below :

[57102-F02-18ULF](#) [58102-G61-06LF](#) [582553-1](#) [009176003701906](#) [0050291907](#) [02.125.8002.8](#) [609-3404](#) [61062-3](#) [622-0430](#) [622-3653LF](#)
[63453-116](#) [636-1030](#) [636-1427](#) [636-3427](#) [636-4007](#) [641938-9](#) [65495-038](#) [65692-001LF](#) [65781-018](#) [65781-047](#) [65817-010LF](#) [65817-015LF](#)
[66207-023LF](#) [67016-026LF](#) [67095-007LF](#) [68631-112](#) [68645-018](#) [68648-049](#) [699319-000](#) [M90C108951C](#) [70.362.1628.0](#) [70-4210](#) [70-4226B](#)
[70-4853B](#) [707-5020](#) [707-5028](#) [71.350.2428.0](#) [71961-016LF](#) [733-134](#) [754199-000](#) [760-3052](#) [787-8014-00](#) [FCN-367T-T012/H](#)
[80.063.4001.1](#) [800-90-001-10-001000](#) [801-43-002-10-013000](#) [801-43-006-10-002000](#) [803-41-018-10-001000](#) [803-43-014-20-001000](#)
[803-43-024-10-001000](#)