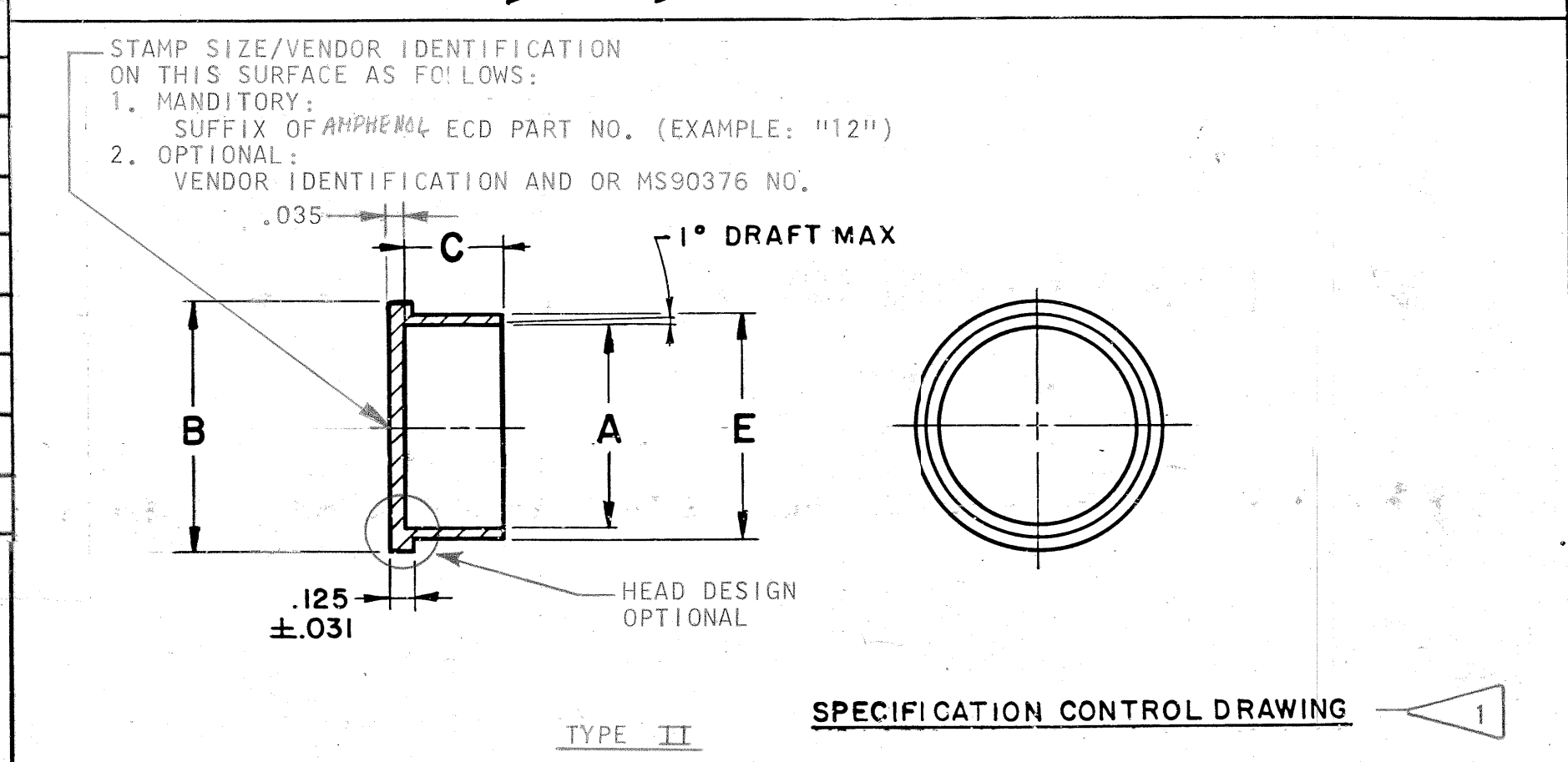
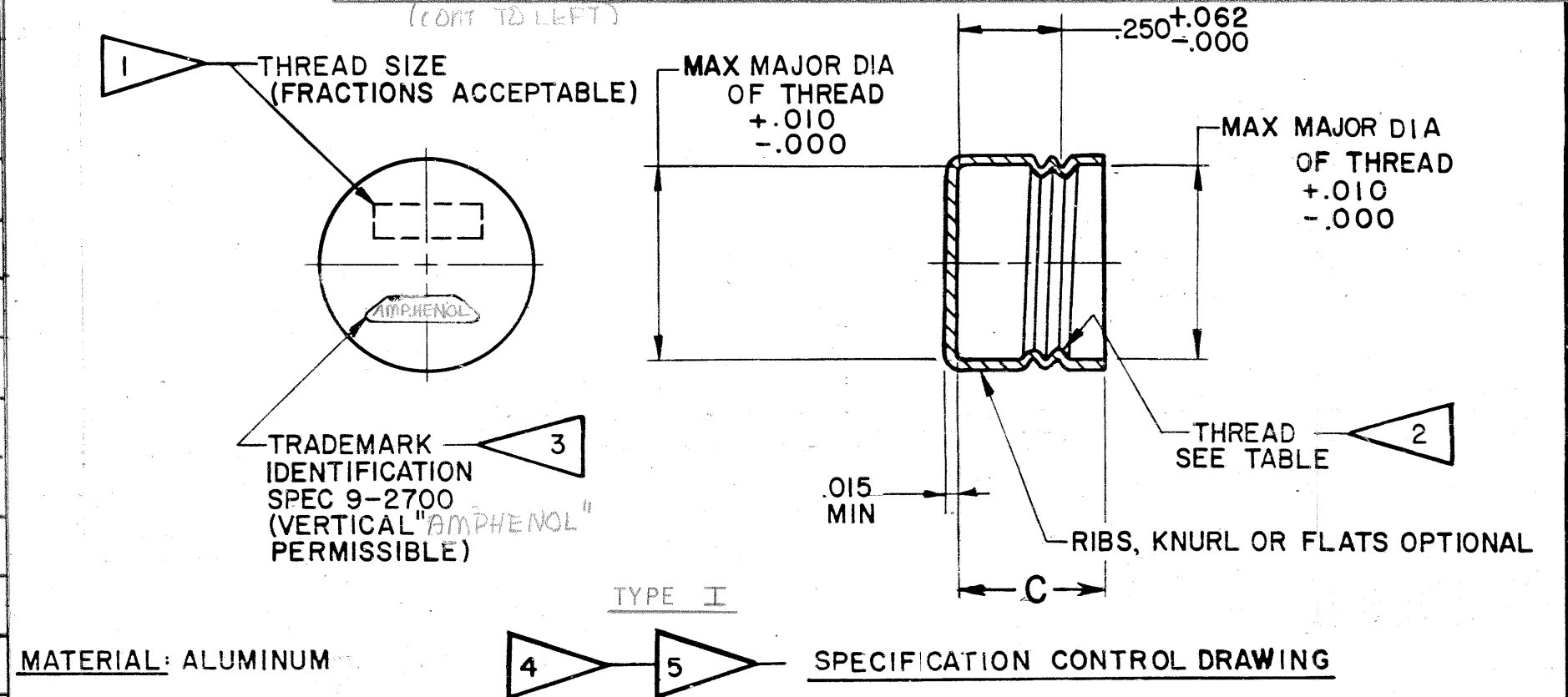


PART NO.	MS NO. REF.	THREAD REF.	A DIA ±.010	B DIA ±.031	C ±.031	E DIA REF.	TYPE	RELEASE
10-70500-4		.2500-28UNF-2B			.312		I	24711-9
-5		.3125-24UNF-2B			.375		I	
-6		.3750-24UNF-2B			.375		I	
-7		.4375-20UNF-2B			.375		I	
-8	MS90376-8R	.5000-28	.480	.740	.500	.540	II	
-9	MS90376-9R	.5625-20	.562	.780	.440	.610	II	
-10	MS90376-10R	.6250-24	.605	.840	.500	.665	II	
-11		.6875-24	.668	.938	.250		II	32535-44
-12	MS90376-12R	.7500-20	.720	.970	.500	.775	II	24711-9
-14	MS90376-14R	.8750-20	.850	1.125	.500	.905	II	
-16	MS90376-16R	1.0000-20	.973	1.220	.500	1.035	II	
-18	MS90376-18R	1.1250-18	1.093	1.330	.562	1.155	II	
-19		1.1875-18	1.168	1.438	.562		II	
-20	MS90376-20R	1.2500-18	1.231	1.465	.562	1.301	II	
-22	MS90376-22R	1.3700-18	1.340	1.590	.562	1.410	II	
-23		1.4375-18	1.408	1.688	.562	1.468	II	29173-1
-24	MS90376-24R	1.5000-18	1.463	1.700	.562	1.533	II	24711-9
-28	MS90376-28R	1.7500-18	1.715	1.950	.562	1.790	II	
-32	MS90376-32R	2.0000-18	1.965	2.220	.562	2.040	II	
-34		2.3125-16		2.562	.562		II	32535-44
-35		2.3750-16		2.625	.687		II	
-36	MS90376-36R	2.2500-16	2.215	2.435	.600	2.290	II	24711-9
-40	MS90376-40R	2.5000-16	2.440	2.660		2.530	II	
-44	MS90376-44R	2.7500-16	2.720	2.960		2.812	II	
-48	MS90376-48R	3.0000-16	2.960	3.225		3.050	II	

DESCRIPTION	DATE	REL NO. 24711-9	REVISIONS	DATE	APPROVED
(CL II) REV'D COL 'E' REF (WAS ±.010) & CHG'D DIM IN COLUMN 'E'; CHG'D REFS OF BENDIX TO AMPHENOL ECN: 84174	12-98				
CHG NO. 47535-841		SYM A3	REDRAWN, SAME SIZE; WAS MS25178 (REF MS NO.) (TYPE II ONLY); ADD. SPEC CONTROL DRAWING; REDIMENSIONED (TYPE II ONLY)	8-30-67	Hayes
48535-368		A4	WAS .562 (D±.031 COL)(10-70500-11)	10-30-68	Hayes
56535-126		A5	REM D COL; ADD. .035	8-7-75	Russell
71525-65		B	(CL II) ADDED LOCAL NOTE	4-23-80	Bowker
73624-1		C	(CL II) SEE CHG NOTICE	9/1/82	Evans
80490		D	ADD-N-RELEASE 10-70500-009 + DATA	02/04/85	Bivardo



NOTES APPLICABLE TO TYPE I

5. SUGGESTED SOURCE OF SUPPLY  
CLOVER INDUSTRIES, INC.  
TONAWANDA, N.Y.
4. ENGINEERING SOURCE APPROVAL REQUIRED.
3. TRADE MARK WILL NOT APPEAR ON SIZE 10 AND SMALLER.
2. FULL THREAD, PORTION OF THREAD, OR PROJECTIONS TO ENGAGE FREELY WITH A CLASS 2B "GO" THREAD GAGE FOR THE SPECIFIED THREAD.
- 1 (OPTIONAL IDENTIFICATION) THE SUFFIX OF THE BASIC PART NO. TO APPEAR ON SURFACE SO INDICATED.

NOTES APPLICABLE TO TYPE II

2. ITEMS MUST BE A SNUG FIT FOR THE REF THREAD THROUGHOUT LIMITS OF MAJOR DIA.
1. SUGGESTED SOURCES OF SUPPLY  
CA PLUGS OR ROBROY INDUSTRIES  
2150 ELMWOOD AVE MORRISVILLE, PA  
BUFFALO N.Y. 14207 19067  
CODE IDENT 16639 CODE IDENT 18375

NOTES:

NOTES: REF SYMBOL

ITEM NO.	QTY REQD	DESCRIPTION	PART NUMBER	CODE IDENT	ZONE	10-53301-1 & OTHERS
PARTS LIST						
UNLESS OTHERWISE SPECIFIED		DRAWN: D.M.H.	DATE: 5-5-53	THE Bendix CORPORATION SCINTILLA DIVISION SIDNEY, NEW YORK, U.S.A.		
LINEAR DIMENSIONS ARE IN INCHES. TOLERANCES: 3 PLACES ±.010; 2 PLACES ±.03; 1 PLACE ±.1; ANGLES ±2°. OTHER STANDARDS PER SCINTILLA SPEC 9-3800 AND MIL-STD 8.		CHECKED: Powell	DATE: 10-2-67	TITLE: CAP, PROTECTIVE, EXTERNAL SCREW THREAD		
MATERIAL SPEC AS SPECIFIED UNDER RESPECTIVE TYPES		MATERIAL: Pomeroy 9.12.67	STANDARDS: Powell	CODE IDENT NO. 77820		
PROCESS SPEC 9-2700 TYPE I ONLY		DRAFTING: Reed	ENGINEERING: D.P. Russell	SIZE C		
		DEVELOPMENT:		10-70500		
				SCALE NONE WT REF SHEET		

## X-ON Electronics

Largest Supplier of Electrical and Electronic Components

*Click to view similar products for* [Circular MIL Spec Tools, Hardware & Accessories](#) *category:*

*Click to view products by* [Amphenol](#) *manufacturer:*

Other Similar products are found below :

[0113-201-2025](#) [600-079-06](#) [600-146-06](#) [M10-101982-143](#) [M10-101982-163](#) [M10-101983-183](#) [M10-150912-083](#) [M10-454396-008](#)  
[602GB18808](#) [CS3102A-22-14PW](#) [M2887615-CD](#) [627-009](#) [M38999/9-19B](#) [630A007NF083A](#) [630B007M051A](#) [630BJ003NF032H](#) [637-](#)  
[149NF04B](#) [M39029/29-215](#) [6408-203V-09273](#) [6426-201-11343](#) [650FS002NF16](#) [660-008NF14S7-01](#) [660-009M22H8-03](#) [660-013NF19U6-](#)  
[210](#) [660-015M10S6-17](#) [660-015NF10S5-01](#) [660-015NF14R3.5-01](#) [660-023NF19H6-19](#) [660-024NF11S12-01](#) [660-024NF11S3-01](#) [660-](#)  
[024NF17S4-109](#) [660-050XM17F4-01](#) [660-068NF25R6-30G](#) [660-070M23S8-04](#) [660-073MTCH9-20](#) [M83723/61-18W](#) [M83723/61-218R](#)  
[M83723/61-224W](#) [667-084-23C](#) [667-084-35C](#) [667-224NF16](#) [687-697NF-1](#) [M85049/94-10-A](#) [M85049/96-7-A](#) [M855282-10A01A](#)  
[M85528/2-10B](#) [M855282-18A01A](#) [M85528/2-22A01A](#) [M85528/2-22AA](#) [710HS460NF2508](#)