

PRODUCT NUMBER

10072353-X01-XXXXLF

PLATING
 S = 0.38µm GOLD/GXT ON CONTACT AREA
 20µm MIN MATTE TIN ON TAIL

A
 G = 0.76µm GOLD/GXT ON CONTACT AREA
 20µm MIN MATTE TIN ON TAIL

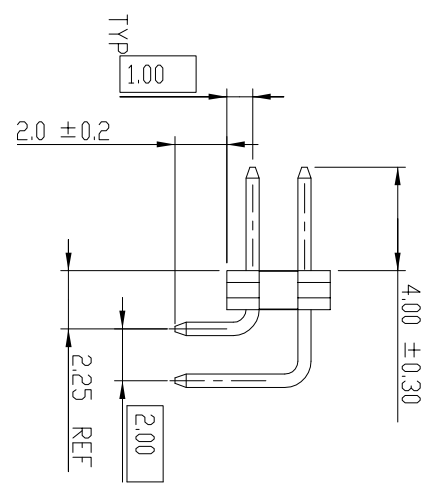
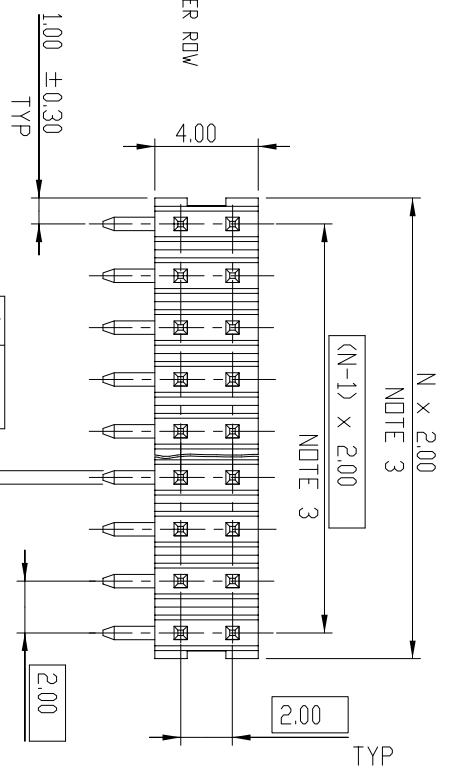
F = GOLD FLASH ON CONTACT AREA
 20µm MIN MATTE TIN ON TAIL

1.27µm MIN NICKEL UNDERPLATING

ROHS COMPATIBLE
 NOTE 6

PACKAGING
 NOTE 5

NB OF POSITIONS PER ROW
 02 TO 25 PDS



NOTES:

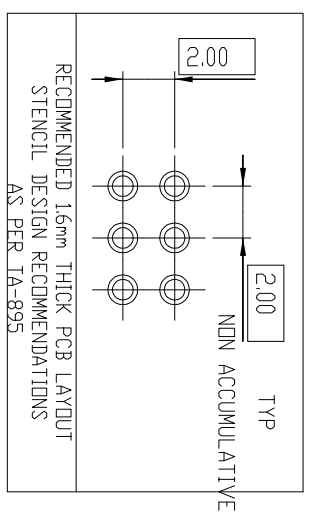
1. MATERIAL HOUSING: HIGH TEMP. THERMOPLASTIC
 UL 94V-0, COLOR BLACK
2. MATERIAL TERMINAL: COPPER ALLOY
3. TO DETERMINE DIMENSIONS:
 N = NUMBER OF POSITIONS PER ROW.
4. 7N MIN PIN RETENTION IN EITHER DIRECTION.
5. PACKAGING:
 = PLASTIC BOX
 U = TUBE AVAILABLE FROM 06 TO 50 PDS
6. ROHS COMPATIBLE PRODUCT SPECIFICATIONS

a - PLATING
 = "1F" MEANS THE PRODUCT IS LEAD-FREE
 2µm MINIMUM MATTE TIN OVER 1.27µm
 MINIMUM NICKEL UNDERPLATE.

b - MANUFACTURING PROCESS COMPATIBILITY
 - THE HOUSING WITHSTAND EXPOSURE TO
 260°C PEAK TEMPERATURE FOR
 30 SECONDS MAX IN A CONVECTION, INRA-RED
 DR VAPOR PHASE OR REFLDW OVEN

c - LABELLING:

- MEETS PACKAGING SPECS AS PER GS-14-920.
 d - THIS PRODUCT MEETS EUROPEAN DIRECTIVES
 AND OTHER COUNTRY REGULATIONS AS DESCRIBED
 IN GS-47-0004



rev	ech no	shr	date	Dr	L MULIN	06.09.14	surface	tolerance std	projection	mm
A	F06-0326	LMU	07.01.04	Eng	J COMPAGNON	06.09.14	ISO 1302	ISO 406	ISO 1101	mm
B	F08-0145	EIA	17.04.08	Chr	-	-	TOLERANCES UNLESS OTHERWISE SPECIFIED		mm	Scale
C	B-19190	LMU	14.10.24	Appr	JM.C	06.09.14	ANGULAR	0x	± 0.13	A3
-	-	-	-	-	-	-	LINEAR	0xxx	± 0.05	5:1
-	-	-	-	-	-	-	Product family	±	-	-
-	-	-	-	-	-	-	Product family	±	-	-
-	-	-	-	-	-	-	Product family	±	-	-
-	-	-	-	-	-	-	Product family	±	-	-

www.fciconnect.com

FCI UNSHR HEADER
 RIGHT ANGLE PIP

Product family: Minitek Spec ref: 10072353

Rev. C

X-ON Electronics

Largest Supplier of Electrical and Electronic Components

Click to view similar products for [Headers & Wire Housings](#) category:

Click to view products by [Amphenol](#) manufacturer:

Other Similar products are found below :

[892-18-020-10-001101](#) [58102-G61-06LF](#) [582553-1](#) [0009485154](#) [009176003701906](#) [0050291907](#) [LY20-4P-DT1-P1E-BR](#) [02.125.8002.8](#)
[609-3404](#) [61062-3](#) [622-0430](#) [622-3653LF](#) [63453-116](#) [636-1030](#) [636-1427](#) [636-3427](#) [636-4007](#) [641938-9](#) [641991-4](#) [644827-2](#) [65817-010LF](#)
[65817-015LF](#) [65863-015LF](#) [66207-023LF](#) [67095-007LF](#) [67601157](#) [68648-049](#) [70.362.1628.0](#) [70-4210](#) [70-4226B](#) [70-4853B](#) [707-5020](#) [707-](#)
[5028](#) [71.350.2428.0](#) [71918-208LF](#) [71961-016LF](#) [733-134](#) [733-162](#) [754199-000](#) [760-3052](#) [787-8014-00](#) [79531-3000](#) [FCN-360C032-B](#) [FCN-](#)
[367T-T012/H](#) [FCN-723D010/2](#) [80.063.4001.1](#) [800-90-001-10-001000](#) [800-90-010-10-002000](#) [801-43-002-10-013000](#) [801-43-006-10-002000](#)