

PRODUCT NUMBER

10072354-X01-XXXLF

RoHS COMPATIBLE, SEE NOTE 6

PACKAGING (SEE NOTE 5)

PLATING
 S = 0.38µm GOLD/GXT ON CONTACT AREA
 2µm MIN MATTE TIN ON TAIL

G = 0.76µm GOLD/GXT ON CONTACT AREA
 2µm MIN MATTE TIN ON TAIL

F = GOLD FLASH ON CONTACT AREA
 2µm MIN MATTE TIN ON TAIL
 1.27µm MIN NICKEL UNDERPLATING

NOTES:

- MATERIAL HOUSING: HIGH TEMP. THERMOPLASTIC UL94V-0 MEETS GWT 850°C 960°C
 - = STANDARD COLOR CREAM
 B = OPTIONAL COLOR BLACK
- MATERIAL TERMINAL: COPPER ALLOY
- TO DETERMINE DIMENSIONS:
 N = NUMBER OF POSITIONS PER ROW
- 7N MIN. PIN RETENTION IN EITHER DIRECTION.
- PACKAGING:
 = PLASTIC BOX
 U = TUBE AVAILABLE FROM 06 TO 50 POS
 K = TAPE & REEL WITHOUT PICK UP CAP, AS AVAILABLE

6. RoHS COMPATIBLE PRODUCT SPECIFICATIONS

a - PLATING:

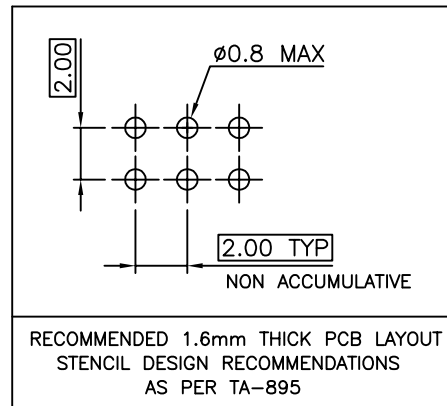
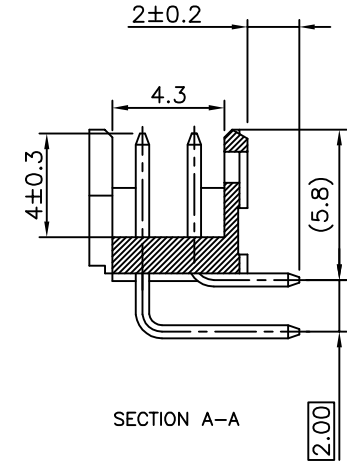
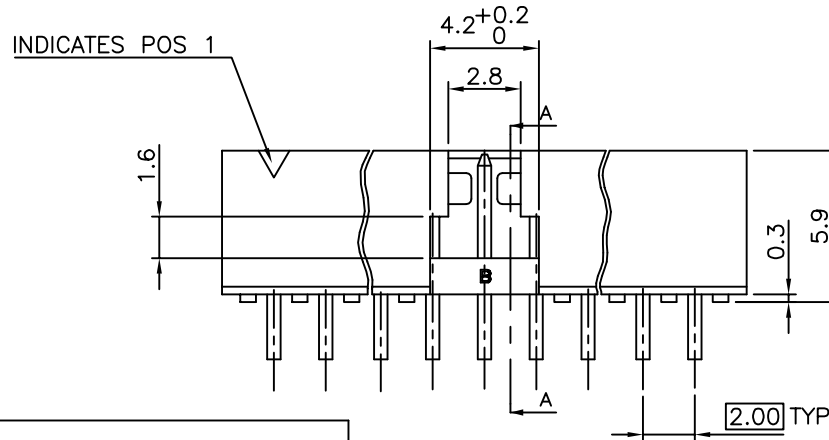
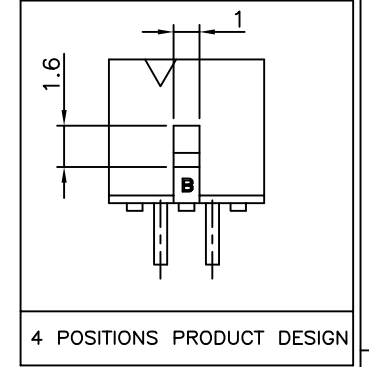
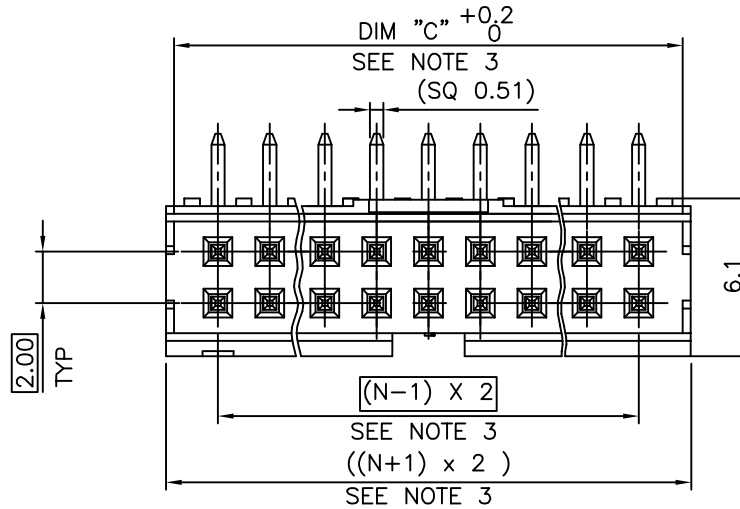
- "LF" MEANS THE PRODUCT IS LEAD-FREE, 2µm MINIMUM MATTE TIN OVER 1.27µm MINIMUM NICKEL UNDERPLATE.

b - MANUFACTURING PROCESS COMPATIBILITY

- THE HOUSING WITHSTAND EXPOSURE TO 260°C PEAK TEMPERATURE FOR 30 SECONDS MAX IN A CONVECTION, INRA-RED OR VAPOR PHASE OR REFLOW OVEN.

c - LABELLING:

- MEETS PACKAGING SPECS AS PER GS-14-920
- THIS PRODUCT MEETS EUROPEAN DIRECTIVES AND OTHER COUNTRY REGULATIONS AS DISCRIBED IN GS-47-0004



mat'l. code		surface		tolerance		projection		product family	
SEE NOTES		ISO 1302		ISO 406		ISO 1101		MINITEK	
ltr	ecn no	dr	date	tolerances unless otherwise specified		mm		title	
H	B-19190	LMU	14.10.24	angles	X.X ±0.13	mm		SHR HEADER	
J	B-20110	BVE	15.01.28	linear	X.XX ±0.05	scale 1:1		2.00 RIGHT ANGLE PIP	
K	B-20254	LMU	15.02.16	±2'				dwg no	
L	B-20611	AMA	15.03.31	dr	L.MULIN	06.09.14		sheet 1 of 1 size	
M	F-23051	AMA	16.01.15	engr	J.COMPAGNON	06.09.14		A3	
G	B-17745	JCO	21.05.14	appo	J.M.C	06.09.14		10072354	
sheet index		revision sheet				FCJ		type	
								CUSTOMER Drawing	

X-ON Electronics

Largest Supplier of Electrical and Electronic Components

Click to view similar products for [Headers & Wire Housings](#) category:

Click to view products by [Amphenol](#) manufacturer:

Other Similar products are found below :

[892-18-020-10-001101](#) [58102-G61-06LF](#) [582553-1](#) [0009485154](#) [009176003701906](#) [0050291907](#) [LY20-4P-DT1-P1E-BR](#) [02.125.8002.8](#)
[609-3404](#) [61062-3](#) [622-0430](#) [622-3653LF](#) [63453-116](#) [636-1030](#) [636-1427](#) [636-3427](#) [636-4007](#) [641938-9](#) [641991-4](#) [644827-2](#) [65817-010LF](#)
[65817-015LF](#) [65863-015LF](#) [66207-023LF](#) [67095-007LF](#) [67601157](#) [68648-049](#) [70.362.1628.0](#) [70-4210](#) [70-4226B](#) [70-4853B](#) [707-5020](#) [707-5028](#) [71.350.2428.0](#) [71918-208LF](#) [71961-016LF](#) [733-134](#) [733-162](#) [754199-000](#) [760-3052](#) [787-8014-00](#) [79531-3000](#) [FCN-360C032-B](#) [FCN-367T-T012/H](#) [FCN-723D010/2](#) [80.063.4001.1](#) [800-90-001-10-001000](#) [800-90-010-10-002000](#) [801-43-002-10-013000](#) [801-43-006-10-002000](#)