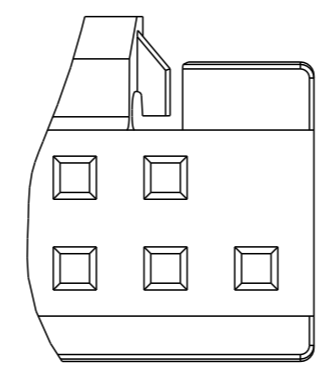
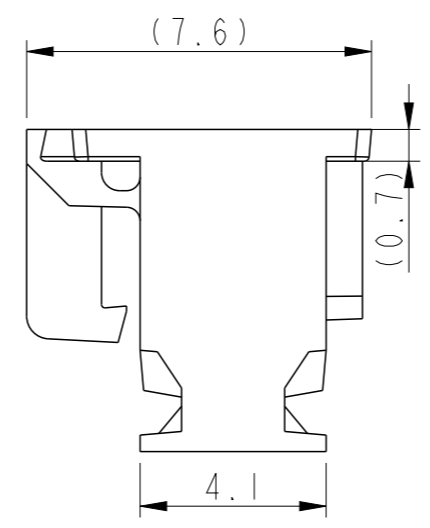
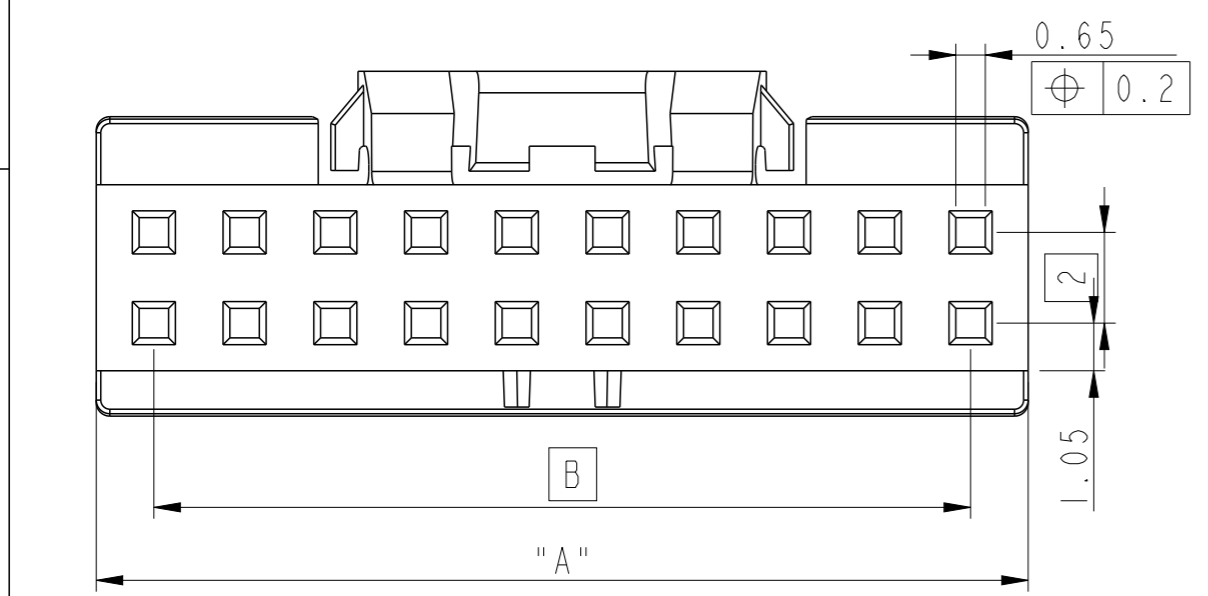
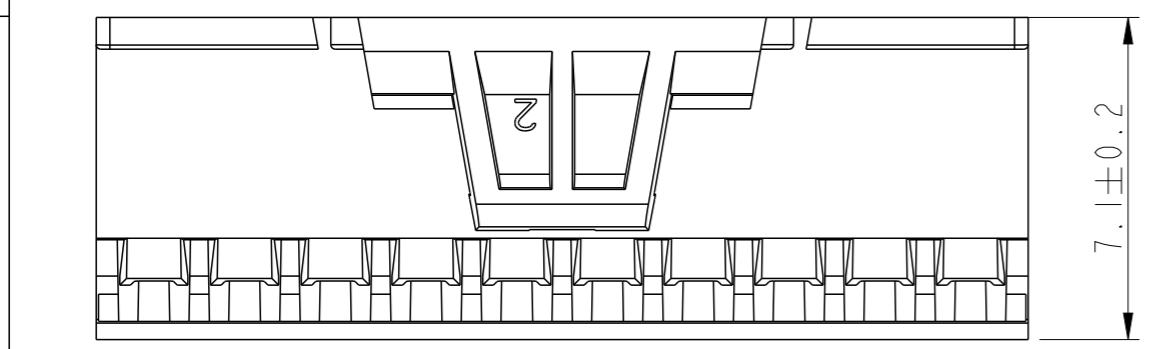
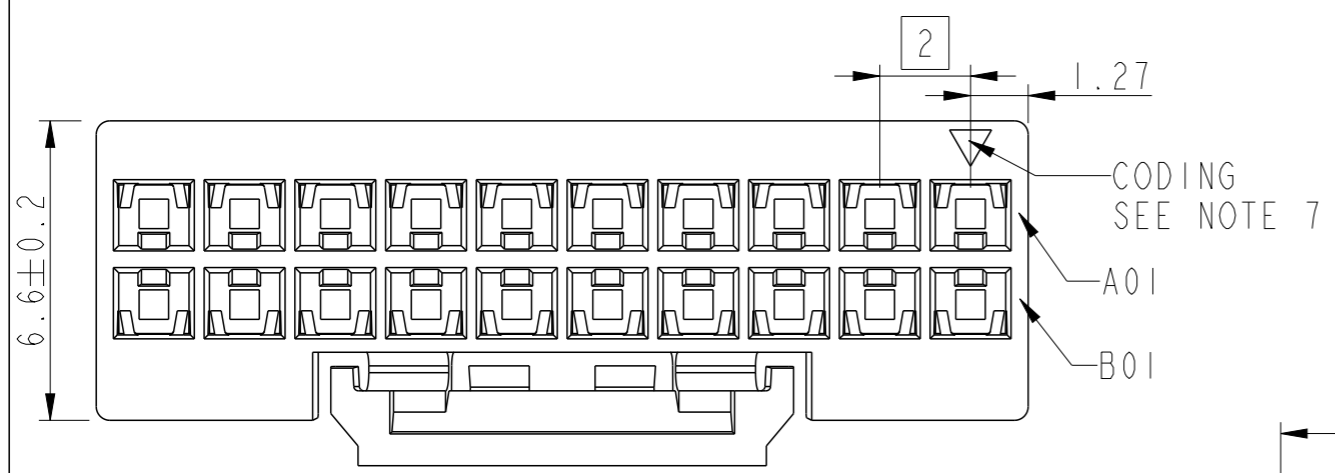


10073599-YXX-ZZZLF



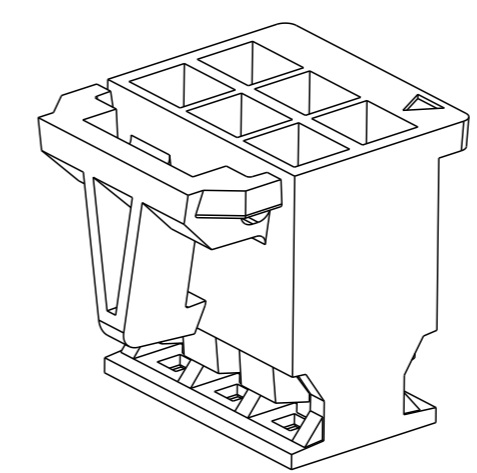
CAVITY FILLED EXAMPLE
(...-BO1LF)
SEE NOTE 7

POLARIZATION CODE
(OPTIONAL)
SEE NOTE 7

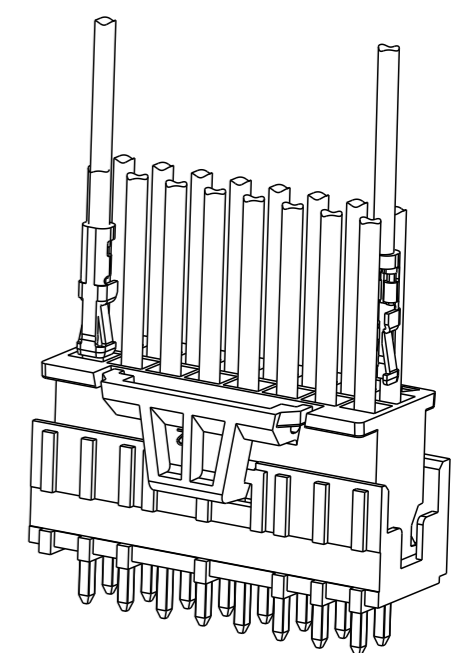
TOTAL NUMBER
OF CONTACTS

0 : COLOR BLACK
1 : COLOR CREAM

PART NUMBER	NBR OF POS	A+/-0.2	B
10073599-Y06LF	2x3	6.54	4
10073599-Y08LF	2x4	8.54	6
10073599-Y10LF	2x5	10.54	8
10073599-Y12LF	2x6	12.54	10
10073599-Y14LF	2x7	14.54	12
10073599-Y16LF	2x8	16.54	14
10073599-Y18LF	2x9	18.54	16
10073599-Y20LF	2x10	20.54	18
10073599-Y22LF	2x11	22.54	20
10073599-Y24LF	2x12	24.54	22
10073599-Y26LF	2x13	26.54	24
10073599-Y28LF	2x14	28.54	26
10073599-Y30LF	2x15	30.54	28
10073599-Y32LF	2x16	32.54	30
10073599-Y34LF	2x17	34.54	32
10073599-Y36LF	2x18	36.54	34
10073599-Y38LF	2x19	38.54	36
10073599-Y40LF	2x20	40.54	38
10073599-Y42LF	2x21	42.54	40
10073599-Y44LF	2x22	44.54	42
10073599-Y46LF	2x23	46.54	44
10073599-Y48LF	2x24	48.54	46
10073599-Y50LF	2x25	50.54	48



DESIGN FOR 10073599-006LF
& 10073599-008LF ONLY



APPLICATION
SEE NOTE 2 & 3

- NOTES :
- MATERIAL : PA6.6 25% GLASSFILLED, UL-94V-0
 - FOR USE WITH MINITEK CTW CONTACTS:
AWG 26-30, SERIE 77138
AWG 22-24 SERIE 10044403
 - TO BE MATED WITH MINITEK HEADERS SERIES
98414 / 98416 / 98424 AND 10075025.
 - PRODUCT SPECIFICATIONS : GS12-415
 - PACKAGING BULK.
 - RoHS COMPLIANT, THE PRODUCT IS NOT INTENDED TO BE EXPOSED TO ANY SOLDER PROCESS.
 - THE TRIANGLE INDICATES THE FIRST POSITION
 - PRODUCT MEETS EUROPEAN UNION DIRECTIVES AND OTHERS COUNTRY REGULATIONS AS PER GS-022-008.
 - FOR POLARIZATION, NUMBER THE CAVITY NUMBER TO BE SPECIFIED.
EXAMPLE: -B01 = CAVITY 01 UNFILLED.
OMIT FORM PART NUMBER IS FEATURE NOT APPLICABLE.

spec ref	-	dr	Benoit Vernier	2015/10/26	projection	mm	size	A3	scale	6:1	
tolerance std	ISO 406 ISO 1101	eng	Julien Fabre	2016/03/02			ecn no	ELX-F-23417-1			
surface	linear	chr	J Dalibard	2016/03/02			rel level	Released			
		appr	J M Maire	2016/03/02			product family	MINITEK CTW ACTIVE LATCH HOUSING			
ISO 1302	angular	0°	±2°	cat. no.	Product - Customer Drw	sheet 1 of 1	dwg no	10073599		rev	C

X-ON Electronics

Largest Supplier of Electrical and Electronic Components

Click to view similar products for [Headers & Wire Housings](#) category:

Click to view products by [Amphenol](#) manufacturer:

Other Similar products are found below :

[892-18-020-10-001101](#) [58102-G61-06LF](#) [582553-1](#) [0009485154](#) [009176003701906](#) [0050291907](#) [LY20-4P-DT1-P1E-BR](#) [02.125.8002.8](#)
[609-3404](#) [61062-3](#) [622-0430](#) [622-3653LF](#) [63453-116](#) [636-1030](#) [636-1427](#) [636-3427](#) [636-4007](#) [641938-9](#) [641991-4](#) [644827-2](#) [65817-010LF](#)
[65817-015LF](#) [65863-015LF](#) [66207-023LF](#) [67095-007LF](#) [67601157](#) [68648-049](#) [70.362.1628.0](#) [70-4210](#) [70-4226B](#) [70-4853B](#) [707-5020](#) [707-](#)
[5028](#) [71.350.2428.0](#) [71918-208LF](#) [71961-016LF](#) [733-134](#) [733-162](#) [754199-000](#) [760-3052](#) [787-8014-00](#) [79531-3000](#) [FCN-360C032-B](#) [FCN-](#)
[367T-T012/H](#) [FCN-723D010/2](#) [80.063.4001.1](#) [800-90-001-10-001000](#) [800-90-010-10-002000](#) [801-43-002-10-013000](#) [801-43-006-10-002000](#)