



C

B

A

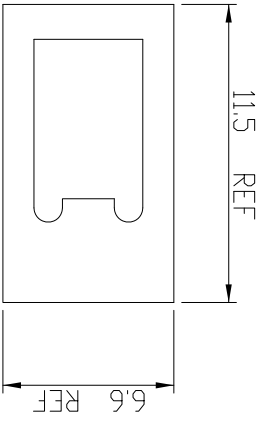
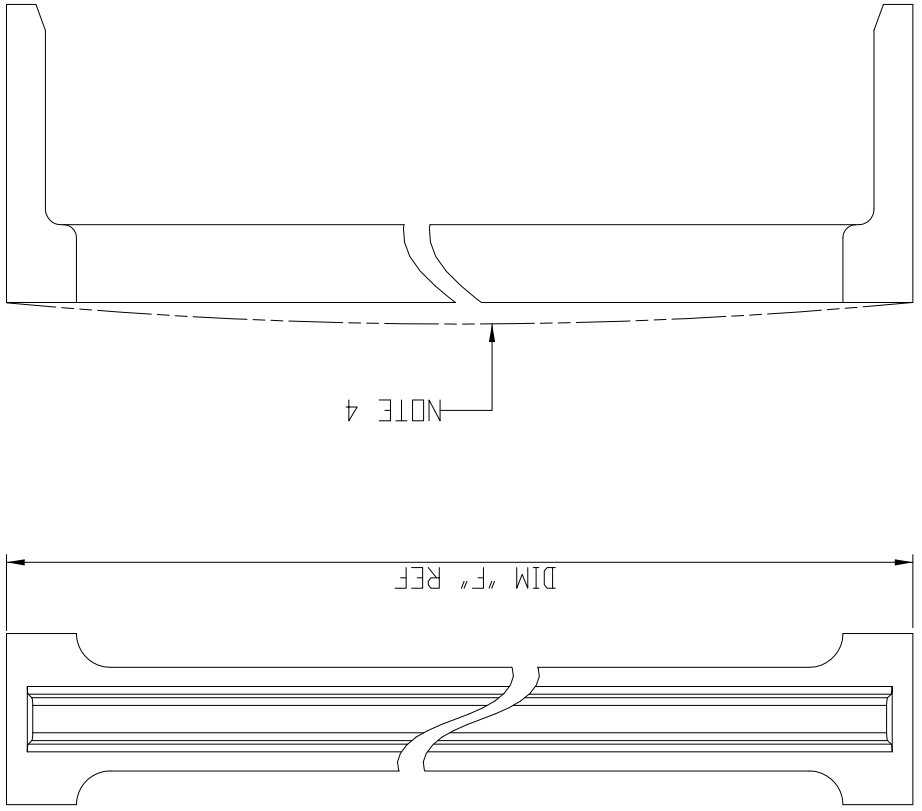
STYLE	SIZE	DIM "F"
06	2x3	11.6
08	2x4	13.6
10	2x5	15.6
12	2x6	17.6
14	2x7	19.6
16	2x8	21.6
18	2x9	23.6
20	2x10	25.6
24	2x12	29.6
26	2x13	31.6
30	2x15	35.6
34	2x17	39.6
40	2x20	45.6
44	2x22	49.6
48	2x24	53.6
50	2x25	55.6

INDICATES THE PRODUCT IS ROHS COMPLIANT, SEE NOTE 2.

10073978-0XXLF

NOTES :
 1. MATERIAL : UNFILLED POLYESTER
 PER UL-94-V0

- 2. ROHS COMPLIANT PRODUCT :
- a- LABELLING :
- MEETS PACKAGING SPECS AS PER GS-14-920
- b- LEGAL STATEMENT : SEE GS-22-008
- c- THE PRODUCT IS NOT INTENDED TO BE EXPOSED TO MANUFACTURING SOLDER PROCESS
- d- PRODUCT MEETS WITH EU 2002/EG/95
- 3. PRODUCT TO BE USED IN COMBINATION WITH MINITEK IDC RECEPTACLE 89361 AND 89947.
- 4. BOW ALLOWED ONLY IN THIS DIRECTION AS SHOWN



rev	ecm no	dr	date
A	F07-0185	LMU	11.05.2007
Dr	L.MULIN		07.02.2007
Eng	J.COMPAGNON		07.02.2007
Appr	J.COMPAGNON		11.05.2007

Product family	Product family	Product family
ANGULAR	ANGULAR	ANGULAR
LINEAR	LINEAR	LINEAR

tolerance std	tolerance std	tolerance std
0.X	0.XX	0.XXX
±0.3	±0.15	±0.05

size	size	size
A3	A3	A3

Scale	Scale	Scale
5:1	5:1	5:1

projection	projection	projection
1st angle	1st angle	1st angle

www.fciconnect.com	www.fciconnect.com	www.fciconnect.com
www.fciconnect.com	www.fciconnect.com	www.fciconnect.com

surface	surface	surface
-	-	-

tolerances unless otherwise specified	tolerances unless otherwise specified	tolerances unless otherwise specified
tolerances unless otherwise specified	tolerances unless otherwise specified	tolerances unless otherwise specified

catalog no	catalog no	catalog no
-	-	-

title	title	title
MTK IDC STRAIN RELIEF	MTK IDC STRAIN RELIEF	MTK IDC STRAIN RELIEF

dwg no	dwg no	dwg no
10073978	10073978	10073978

customer	customer	customer
CUSTOMER	CUSTOMER	CUSTOMER

D

C

B

A

4

3

2

1

4

3

2

1

Sheet 1 of 1

X-ON Electronics

Largest Supplier of Electrical and Electronic Components

Click to view similar products for [Headers & Wire Housings](#) category:

Click to view products by [Amphenol](#) manufacturer:

Other Similar products are found below :

[95000-104TRLF](#) [10135584-644402LF](#) [DF62W-EP2022PCA](#) [95000-106TRLF](#) [DF62W-2022SCA](#) [DF62W-EP2022PC](#) [2203348](#) [DF62W-2022SC](#) [1084018](#) [1029039](#) [1084017](#) [802-10-012-10-002000](#) [1112640](#) [1112639](#) [891-007-9SS-BST1T](#) [000-34000](#) [0008550134](#) [0009482033](#) [0009507031](#) [57102-F02-18ULF](#) [57102-S06-03LF](#) [57202-S52-04LF](#) [PCN6-15S-2.5E](#) [0039019024](#) [58102-G61-06LF](#) [582553-1](#) [0009485154](#) [0009508121](#) [0022285053](#) [0050291907](#) [018731A](#) [LY20-4P-DT1-P1E-BR](#) [02.125.8002.8](#) [60101931](#) [60598-1 \(Cut Strip\)](#) [M1625-3R/100](#) [61062-3](#) [61082-181009](#) [CSU011177004](#) [636-1427](#) [638009-1](#) [641938-9](#) [641991-4](#) [644168-1](#) [644827-2](#) [647662-1](#) [65039-019ELF](#) [65692-001LF](#) [65781-018](#) [65781-047](#)