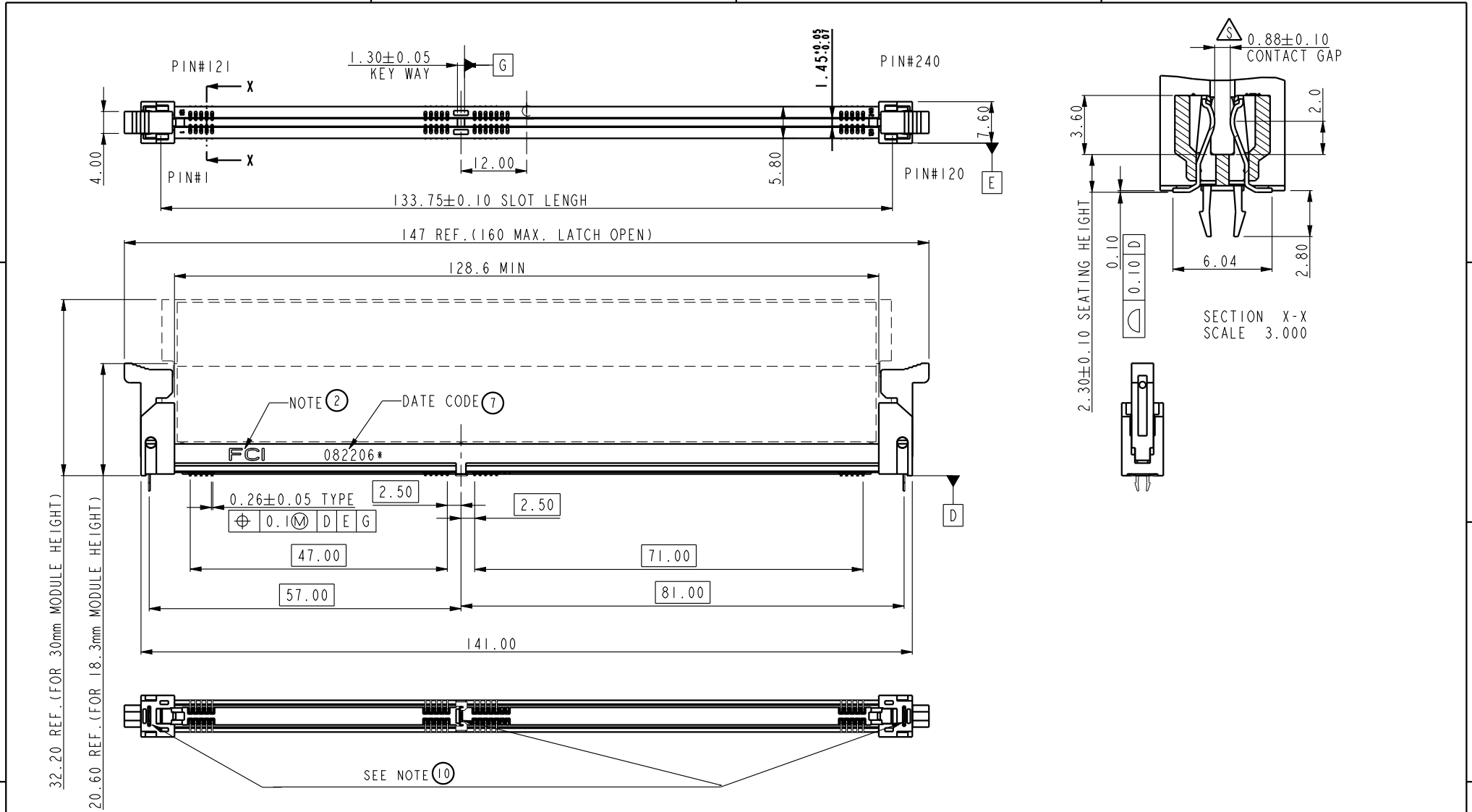


A

B

C

D



A

B

C

D

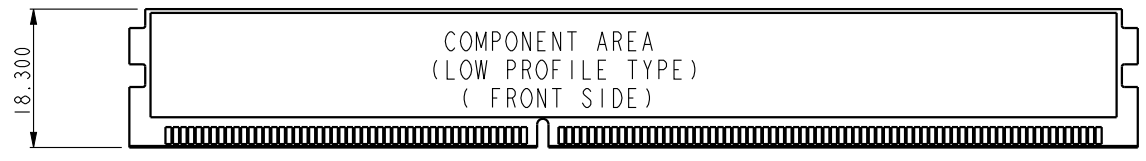
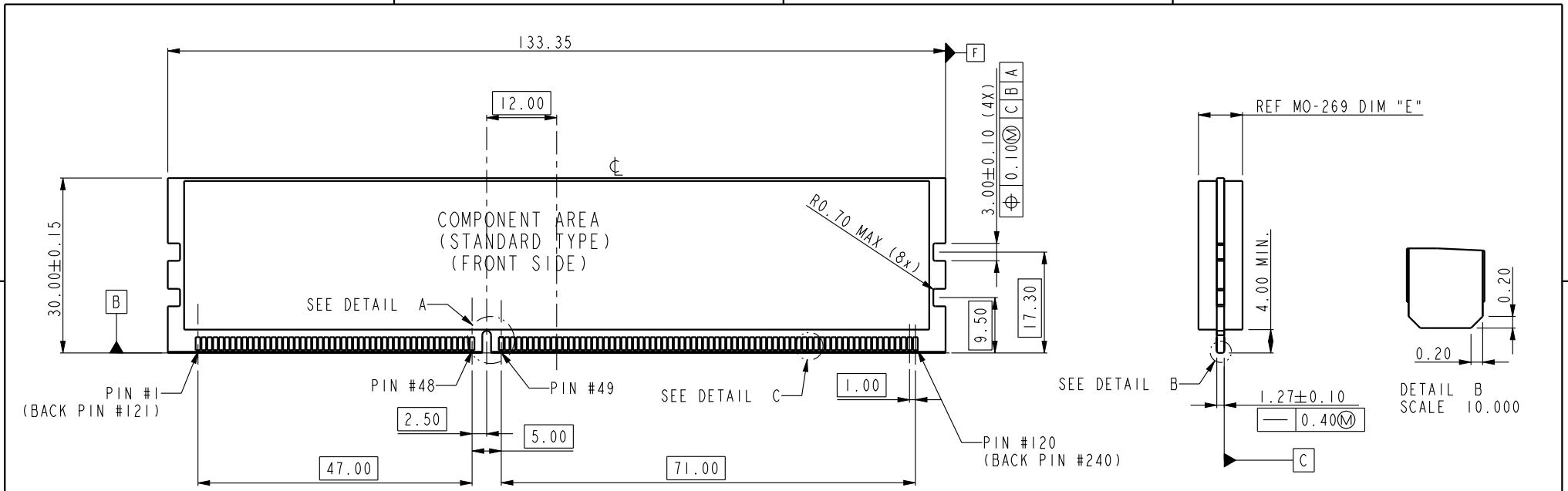
|               |                                       |        |               |             |                 |       |  |                |                |          |
|---------------|---------------------------------------|--------|---------------|-------------|-----------------|-------|--|----------------|----------------|----------|
| spec ref      | *                                     | dr     | Rick Bian     | 2010/07/04  | projection      | MM    | size   | A4             | scale          | 1.000    |
| tolerance std | TOLERANCES UNLESS OTHERWISE SPECIFIED | eng    | Jeny Ren      | 2018/02/08  |                 |       | ← →  | ecn no         | ELX-DG-28885-1 |          |
| ASME Y14.5    |                                       | chr    | -             | -           |                 |       |  | product family | rel level      | Released |
| surface       |                                       | appr   | Nickor Zuo    | 2018/02/09  | product family  |       | rel level  | Released       |                |          |
| ASME Y14.5    |                                       | linear | 0.X           | $\pm 0.50$  | Amphenol<br>FCI | title | SMT DDRIII SOCKET ASS'Y<br>DDRIII, 240P RDIMM SOCKET (FOR CISCO) | dwg no         | 10074146       | rev      |
|               | angular                               | 0°     | $\pm 2^\circ$ | www.fci.com |                 |       |  |                |                |          |

A

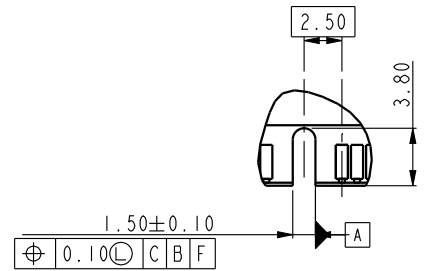
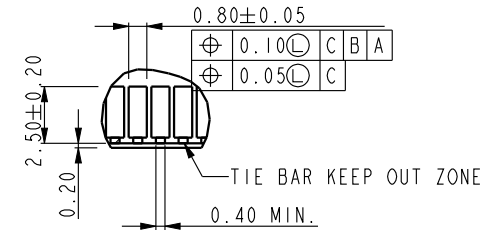
B

C

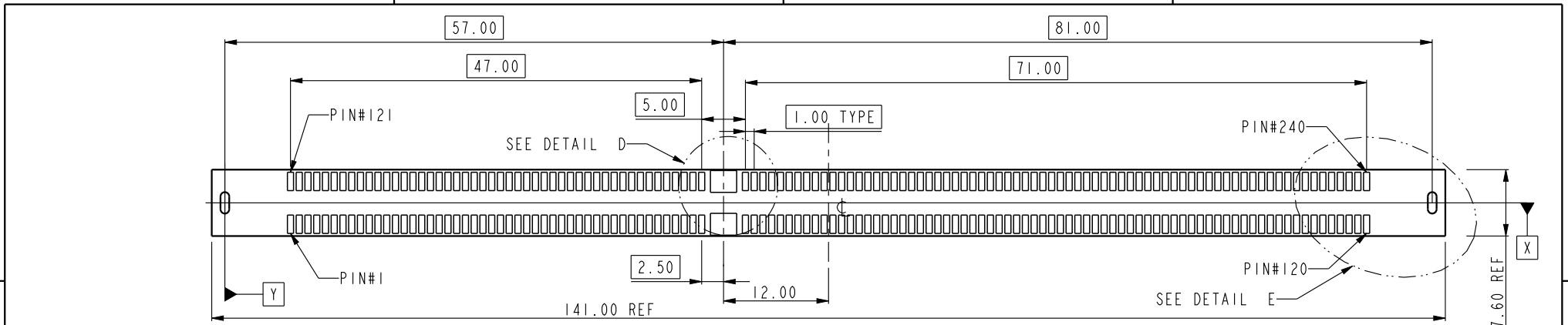
D



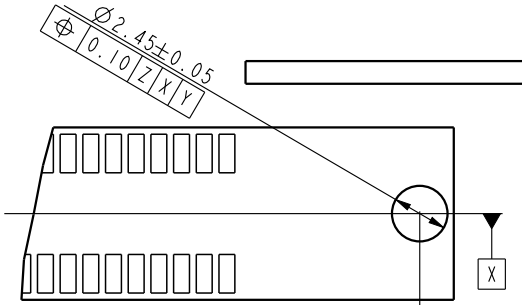
SEE MO-269 FOR DETAIL (VARIATION DX, EX, FX)



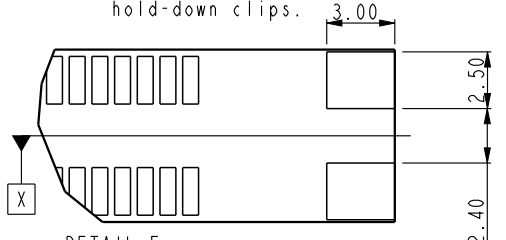
|             |            |                                       |                        |    |           |                |       |       |
|-------------|------------|---------------------------------------|------------------------|----|-----------|----------------|-------|-------|
| dr          | Rick Bian  | 2010/07/04                            | projection             | MM | size      | A4             | scale | 1.000 |
| eng         | Jeny Ren   | 2018/02/08                            |                        |    | ecn no    | ELX-DG-28885-1 |       |       |
| chr         | -          | -                                     |                        |    | rel level | Released       |       |       |
| appr        | Nickor Zuo | 2018/02/09                            | product family         |    |           |                |       |       |
| www.fci.com | title      | SMT DDRIII SOCKET ASS'Y               |                        |    | dwg no    | 10074146       |       | rev   |
|             |            | DDRIII, 240P RDIMM SOCKET (FOR CISCO) |                        |    |           |                |       | S     |
|             | cat. no.   | *                                     | Product - Customer Drw |    |           | sheet 2 of 4   |       |       |



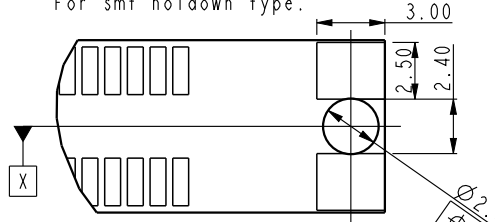
RECOMMEND CIRCUIT BOARD LAYOUT



DETAIL E  
SCALE 3.000  
standard hole for  
hold-down clips.

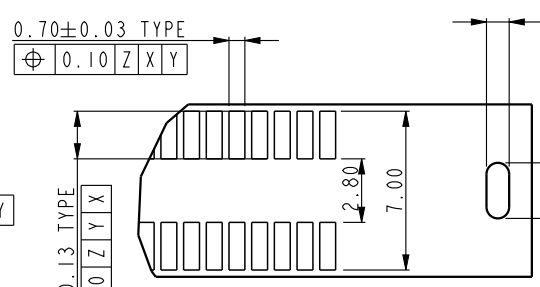


DETAIL E  
SCALE 3.000  
For smt holddown type.

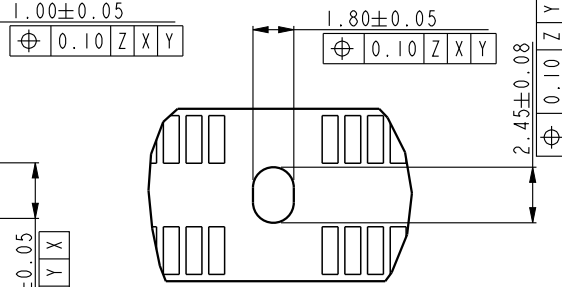


DETAIL E  
SCALE 3.000

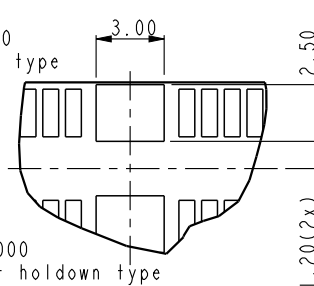
For 3 smt holddown + 2 plastic post type.



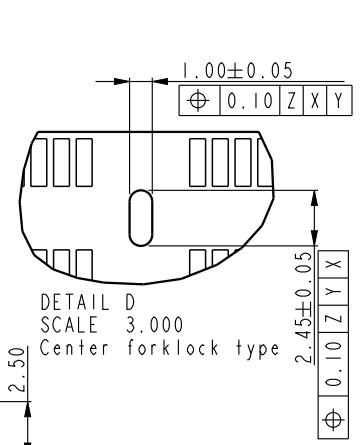
DETAIL E  
SCALE 3.000  
For paste-in-hole applications.  
Can be used to solder clips  
during reflow operation.



DETAIL D  
SCALE 3.000  
Center post type



DETAIL D  
SCALE 3.000  
Center smt holddown type



DETAIL D  
SCALE 3.000  
Center forklock type

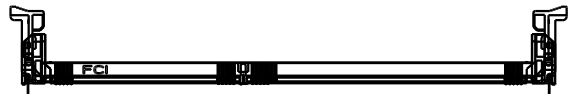
|              |            |            |                |        |                         |                |              |       |          |
|--------------|------------|------------|----------------|--------|-------------------------|----------------|--------------|-------|----------|
| dr           | Rick Bian  | 2010/07/04 | projection<br> | MM<br> | size                    | A4             | scale        | 1.000 |          |
| eng          | Jeny Ren   | 2018/02/08 |                |        | ecn no                  | ELX-DG-28885-1 |              |       |          |
| chr          | -          | -          |                |        | rel level               | Released       |              |       |          |
| appr         | Nickor Zuo | 2018/02/09 | product family |        | rev                     | 10074146       |              | S     |          |
| Amphenol FCI |            | title      |                |        | SMT DDRIII SOCKET ASS'Y |                | dwg no       |       | 10074146 |
| www.fci.com  |            | cat. no.   |                |        | Product - Customer Drw  |                | sheet 3 of 4 |       |          |
|              |            |            |                |        |                         |                |              |       |          |

A

B

C

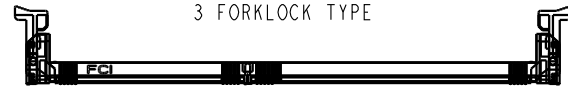
D



SCALE 0.500  
10074146-10\*\*\*  
CENTER SMT HOLDOWN TYPE



SCALE 0.500  
10074146-11\*\*\*  
3 FORKLOCK TYPE



SCALE 0.500  
10074146-12\*\*\*  
3 SMT HOLDOWN TYPE



SCALE 0.500  
10074146-13\*\*\* SEE DETAIL N  
3 SMT HOLDOWN AND 2 PLASTIC POST TYPE



SCALE 0.500  
10074146-15\*\*\* SEE DETAIL M  
3 PLASTIC POST TYPE

NOTES:

- MATERIAL:  
HOUSING: HIGH PERFORMANCE RESINS, GLASS FILLED UL94V-0 RATED.  
EJECTOR: HIGH PERFORMANCE RESINS, GLASS FILLED UL94V-0 RATED.  
TERMINAL: HIGH PERFORMANCE COPPER ALLOY  
METAL CLIP: COPPER ALLOY.
- FCI LOGO TO BE APPROXIMATELY LOCATED AS SHOWN ON PRINT.
- PRODUCT SPECIFICATION: GS-12-481.
- PACKAGING SPECIFICATION: GS-14-899.
- RECOMMENDED STENCIL THICKNESS NO LESS THAN 0.15 mm.
- FOR OPTUM PERFORMANCE, THE TIE BAR IS TO BE ON AN INTERNAL LAYER SO THAT THE REMNANT CANNOT CAUSE CONTACT DAMAGE.
- THE DATE CODE IS SHOWN "MMDDYY\*.". "\*" MEANS PRODUCTION LINE.
- THIS PRODUCT MEETS EUROPEAN UNION DIRECTIVES AND OTHER COUNTRY REGULATIONS AS DESCRIBED IN GS-22-008.
- THE HOUSING WILL WITH STAND EXPOSURE TO 260°C PEAK TEMPERATURE FOR 10 SECONDS IN AN IR REFLOW SOLDERING APPLICATION.
- THE HOLDOWN TYPES ARE OPTION FOR FORKLOCK OR SMT HOLDOWN.
- A  $\Delta$  SYMBOL WILL BE NEXT TO ANY DIMENSION, VIEW, OR NOTE WHICH HAS BEEN MODIFIED WITH THE CURRENT DRAWING REVISION

STYLE : MECHANICAL KEYING

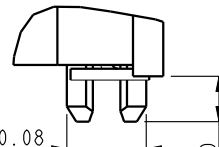
1 : 1.5 VOLT. W/ CENTER KEY

HOLD DOWN TYPE

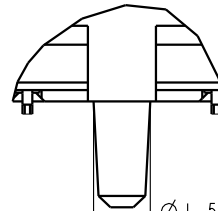
- 0 : CENTER HOLD DOWN, FORKLOCK AT BOTH END  
1 : 3 FORKLOCK TYPE  
2 : 3 SMT HOLDOWN TYPE  
3 : 3 SMT HOLDOWN AND 2 PLASTIC POST  
5 : 3 PLASTIC POST TYPE

PACKAGE AND MYLAR OPTION

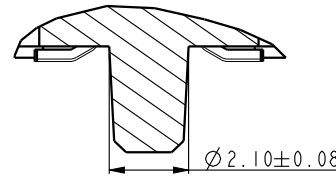
- 0: SOFT TRAY WITHOUT MYLAR (OBSOLETE)  
1: HARD TRAY WITH MYLAR  
2: HARD TRAY WITHOUT MYLAR  
3: SOFT TRAY WITH MYLAR (OBSOLETE)



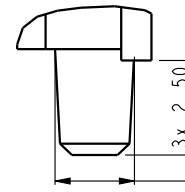
DETAIL N  
SCALE 5.000



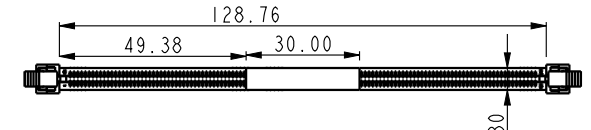
DETAIL J  
SCALE 5.000



SECTION K-K  
SCALE 5.000



DETAIL M  
SCALE 5.000



SCALE 0.500  
WITH MYLAR TAPE (OPTIONAL)

10074146 - □ □ □ □ □

PLATING

| CODE | CONTACT                 | SOLDERTAIL                        | UNDERPLATE                        | NOTE                   |
|------|-------------------------|-----------------------------------|-----------------------------------|------------------------|
| 1    | 10u" (0.25um) MIN. GOLD | 100u" (2.54um) TIN-LEAD           | 50u" (1.27um) MIN. NICKEL OVERALL | CONTACT NON-LUBRICATED |
| 2    | 15u" (0.38um) MIN. GOLD |                                   |                                   |                        |
| 3    | 30u" (0.76um) MIN. GOLD |                                   |                                   |                        |
| 4    | GOLD FLASH              |                                   |                                   | CONTACT LUBRICATED     |
| 5    | 10u" (0.25um) MIN. GOLD |                                   |                                   |                        |
| 6    | 15u" (0.38um) MIN. GOLD | 100u" (2.54um) MIN. 100% MATT TIN | 50u" (1.27um) MIN. NICKEL OVERALL | CONTACT NON-LUBRICATED |
| 7    | 30u" (0.76um) MIN. GOLD |                                   |                                   |                        |
| 8    | GOLD FLASH              |                                   |                                   |                        |
| 1LF  | 10u" (0.25um) MIN. GOLD | 100u" (2.54um) MIN. 100% MATT TIN | 50u" (1.27um) MIN. NICKEL OVERALL | CONTACT NON-LUBRICATED |
| 2LF  | 15u" (0.38um) MIN. GOLD |                                   |                                   |                        |
| 3LF  | 30u" (0.76um) MIN. GOLD |                                   |                                   |                        |
| 4LF  | GOLD FLASH              |                                   |                                   |                        |
| 5LF  | 10u" (0.25um) MIN. GOLD |                                   |                                   | CONTACT LUBRICATED     |
| 6LF  | 15u" (0.38um) MIN. GOLD |                                   |                                   |                        |
| 7LF  | 30u" (0.76um) MIN. GOLD |                                   |                                   |                        |
| 8LF  | GOLD FLASH              |                                   |                                   |                        |

COLOR OF HOUSING AND EJECTOR

- 0 : BLACK HOUSING + IVORY EJECTOR  
1 : BLACK HOUSING + BLACK EJECTOR  
2 : BLACK HOUSING + BLUE(661C) EJECTOR  
3 : BLACK HOUSING + YELLOW(123C) EJECTOR

|             |            |            |                         |    |                       |                        |       |              |   |
|-------------|------------|------------|-------------------------|----|-----------------------|------------------------|-------|--------------|---|
| dr          | Rick Bian  | 2010/07/04 | projection              | MM | size                  | A4                     | scale | 1.000        |   |
| eng         | Jeny Ren   | 2018/02/08 |                         |    | ecn no ELX-DG-28885-1 |                        |       |              |   |
| chr         | -          | -          |                         |    | rel level Released    |                        |       |              |   |
| appr        | Nickor Zuo | 2018/02/09 | product family          |    | rev                   |                        |       |              |   |
|             |            |            | SMT DDRIII SOCKET ASS'Y |    |                       | dwg no                 |       | 10074146     | S |
| www.fci.com |            |            | cat. no.                |    |                       | Product - Customer Drw |       | sheet 4 of 4 |   |

## X-ON Electronics

Largest Supplier of Electrical and Electronic Components

*Click to view similar products for [DIMM Connectors](#) category:*

*Click to view products by [Amphenol](#) manufacturer:*

Other Similar products are found below :

[1-1932649-2](#) [1-1761024-0](#) [2309411-5](#) [1932180-2](#) [0783590111](#) [0783590001](#) [0877051053](#) [10079248-11103LF](#) [10086891-052TSLF](#)  
[10116658-252ASLF](#) [59355-052FSLF](#) [5390471-1](#) [10074146-13211LF](#) [10079248-10202LF](#) [2309407-3](#) [10033853-052ASLF](#) [87782-6003](#) [KIT-](#)  
[SODIMM-1X16GB/01](#) [0780350001](#) [0878030012](#) [75.963AT.G020C](#) [78.B1GDE.AF1](#) [10078239-11103LF](#) [6-390322-1](#) [2013311-1](#) [2309410-1](#)  
[10116658-052FSLF](#) [10116658-152FSLF](#) [1-1735438-3](#) [78730-1002](#) [78726-1002](#) [2013310-1](#) [390111-1](#) [1735438-3](#) [78373-0011](#) [2308107-1](#) [2-](#)  
[2308107-1](#) [2309411-1](#) [5-1746530-4](#) [2309408-1](#) [2309409-1](#) [2309412-1](#) [151134-0001](#) [2309413-1](#) [296406200001856+](#) [2309407-1](#) [FCN-](#)  
[074J240-G/1D](#) [FCN-074B288-G/2D](#) [2309414-1](#) [10081530-12208LF](#)