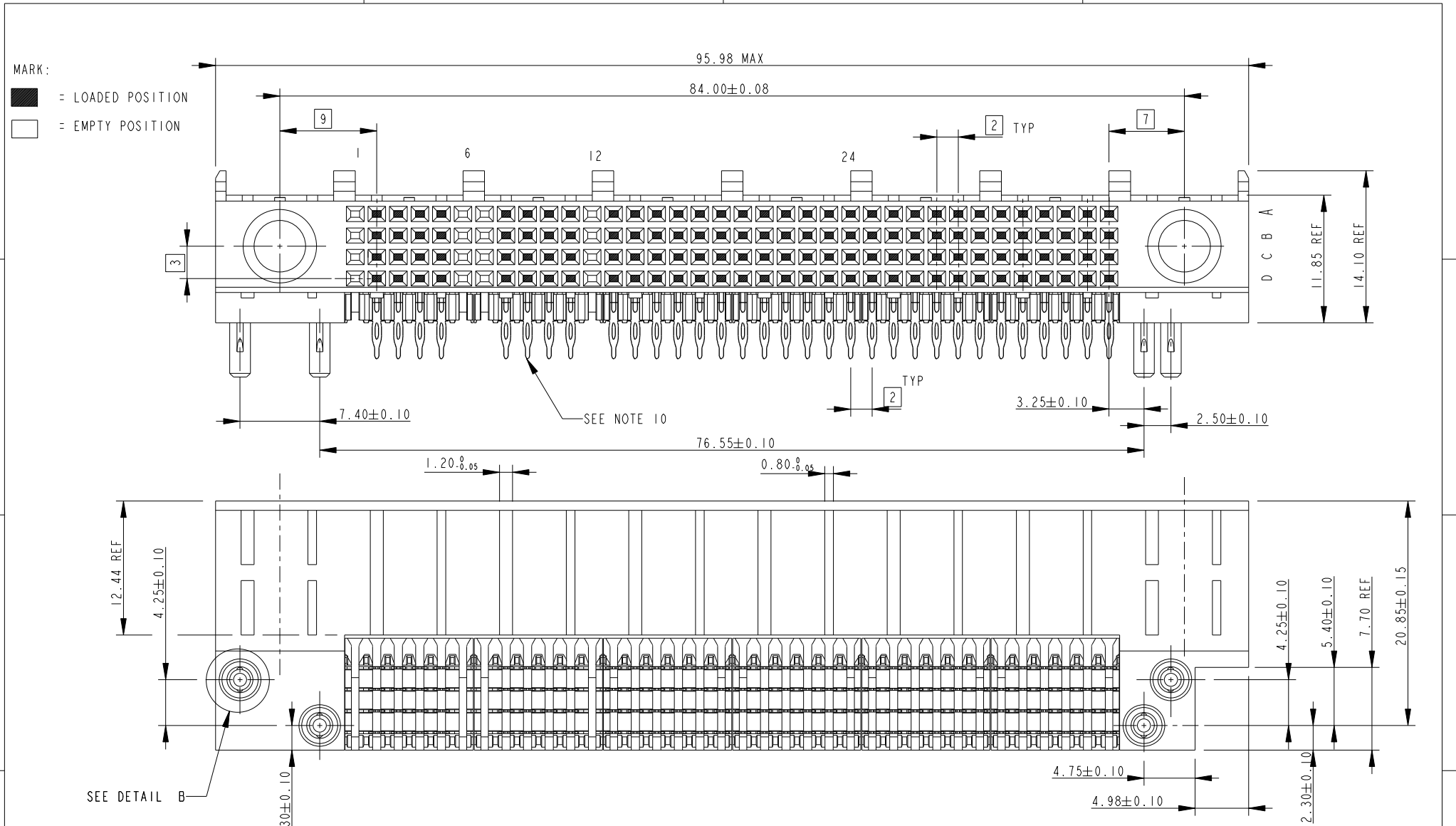




Copyright FCI.



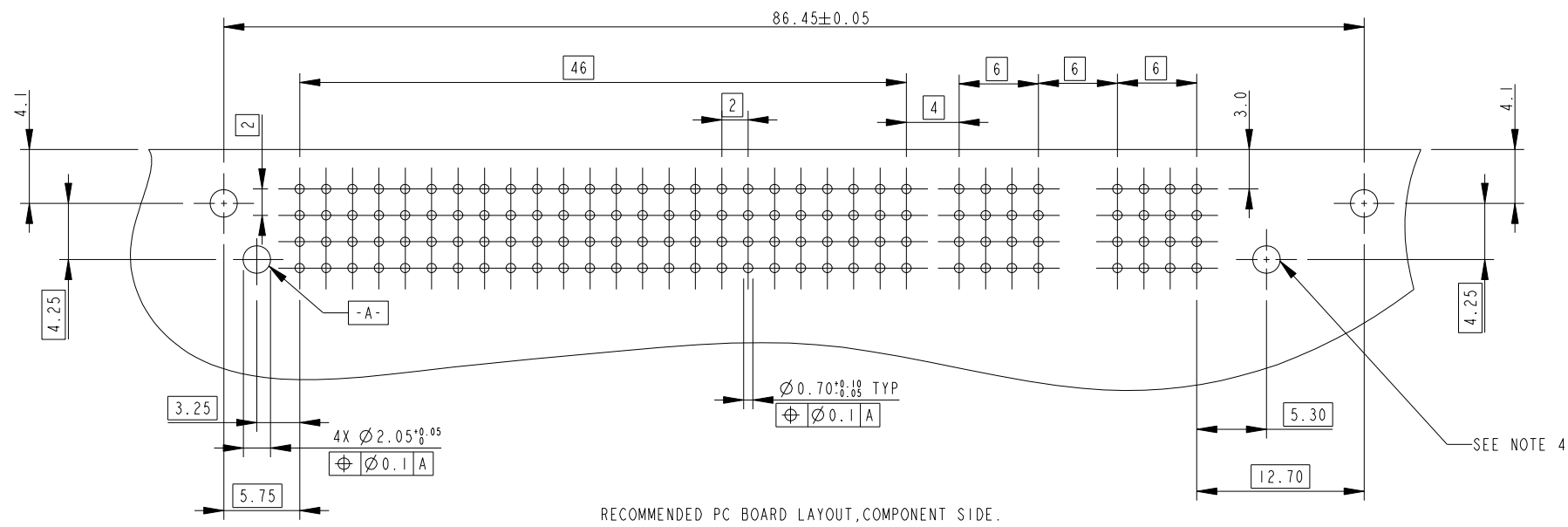
www.fciconnect.com		surface	<input checked="" type="checkbox"/>	tolerance std	projection	MM
		TOLERANCES UNLESS OTHERWISE SPECIFIED				Scale 1.000
Dr	HEAVEN CEN	12/07/06	ANGULAR	0.X ± 0.3	size A4	ECN
Eng	COLLINS LU	12/07/06	LINEAR	0.XX ± 0.13		
Chr	GARY HSIEH	12/07/06	0° ± 2°	0.XXX ± 0.051		
Appr	JOSEPH HSIA	12/07/06	Product family		Spec ref	
FCI		title	4 ROW PF MONOBLOCK RA RECEPTACLE - 96mm		dwg no	10074783
		catalog no	CUSTOMER		Rev.	C
					sheet 1 of 3	

rev	ecn no	dr	date
A	DG07-0153	Cenh	12/07/06
B	DG08-0174	Cenh	03/07/08
C	DG10-0320	Cenh	09/01/10
-	-	-	-
-	-	-	-
-	-	-	-
-	-	-	-

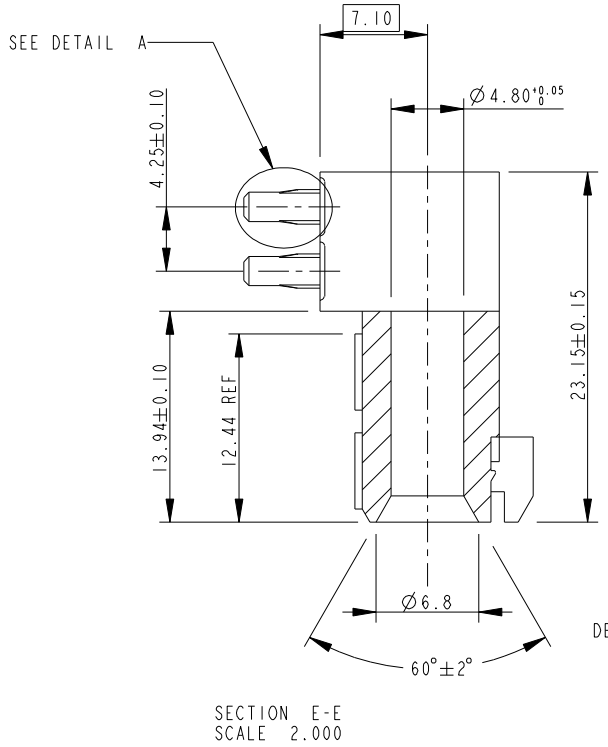
REV F - 2006-04-17



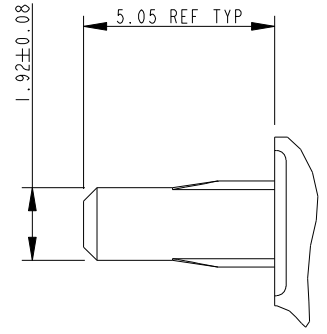
Copyright FCI.



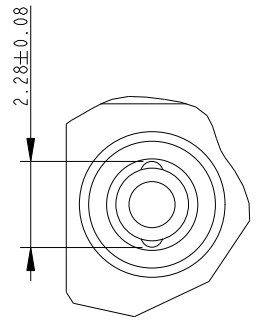
RECOMMENDED PC BOARD LAYOUT, COMPONENT SIDE.



DETAIL OF GUIDE MODULE



DETAIL A SCALE 5.000



DETAIL B SCALE 5.000

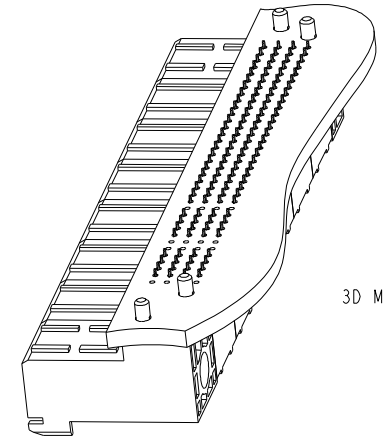
TABLE I PLATED THRU HOLE REQUIREMENTS	
HOLE DIAMETER AFTER PLATING	0.65-0.80
DRILLED HOLE	0.81-0.86 (0.85 DRILL)
COPPER PLATING	0.025-0.05
Sn PLATING	0.005-0.015

www.fciconnect.com			surface	<input checked="" type="checkbox"/>	tolerance std	projection	MM	
			TOLERANCES UNLESS OTHERWISE SPECIFIED					←→
Dr	HEAVEN CEN	12/07/06	ANGULAR	LINEAR	0.X	± 0.3	size A4	
Eng	COLLINS LU	12/07/06			0.XX	± 0.13		
Chr	GARY HSIEH	12/07/06			0.XXX	± 0.051		
Appr	JOSEPH HSIA	12/07/06	Product family		Metral	Spec ref		
FCI		title		4ROW PF MONOBLOCK		dwg no		
				RA RECEPTACLE - 96mm		10074783		
		catalog no		CUSTOMER		sheet 2 of 3		
				Rev.		C		

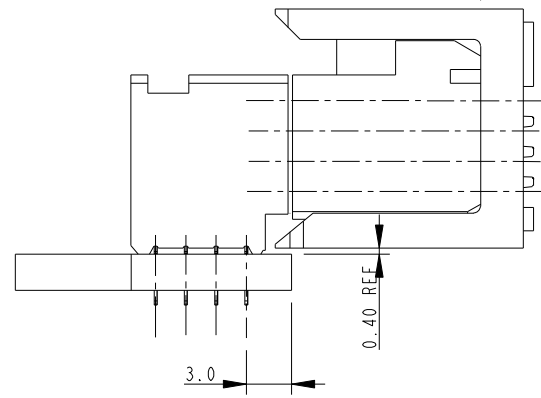
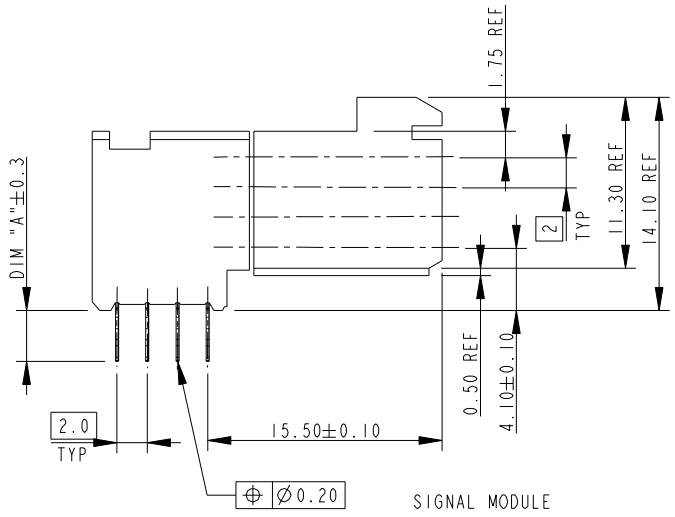
REV F - 2006-04-17

PRODUCT NR:	PCB THICKNESS	DIM "A"
10074783-101LF	2.4	3.53

PRODUCT NR:	PLATING CONTACT AREA:	UNDERPLATING	PERFORMANCE LEVEL
10074783-101LF	0.8 um GOLD OR GXT	1.3 um Ni MIN.	TELCORDIA CO



3D MODEL



NOTES:

1. BODY MAT'L: LIQUID CRYSTAL POLYMER 30% GLASS
FLAME RETARDANT ACC. UL 94-V0
2. TERMINAL MATERIAL: PHOSPHOR BRONZE.
3. TAIL PLATING: 2-8 um PURE Sn
- ④ INDICATED HOLES ARE UNPLATED.
5. PRODUCT MARKING: PARTNUMBER & BATCH ID.
6. THIS PRODUCT MEETS EUROPEAN UNION DIRECTIVES AND OTHER COUNTRY REGULATIONS AS DESCRIBED IN GS-22-008
7. ALL PRODUCTS WILL WITHSTAND EXPOSURE TO 240 DEGREE FOR 60 SECONDS IN A CONVECTION, INFRARED OR VAPOR PHASE REFLOW OVEN.
8. TOP SURFACE OF PRESS BLOCK MAY EXTEND UP TO 0.4MM HIGHER THAN HOUSING THIS MAY AFFECT THE TAIL LENGTH BEFORE APPLICATION TO A BOARD
9. PRESS IN TOOL SHOULD COVER THE WHOLE CONNECTOR LENGTH
- ⑩ PRESS FIT ACCORDING PRODUCT SPECIFICATION GS-12-002

www.fciconnect.com			surface <input checked="" type="checkbox"/>	tolerance std	projection	MM
			TOLERANCES UNLESS OTHERWISE SPECIFIED			
Dr	HEAVEN CEN	12/07/06	ANGULAR	0.x	± 0.3	size A4
Eng	COLLINS LU	12/07/06		LINEAR	0.xx	
Chr	GARY HSIEH	12/07/06	0° ± 2°	0.xxx	± 0.051	ECN
Appr	JOSEPH HSIA	12/07/06	Product family		Metral	Spec ref
	title		4 ROW PF MONOBLOCK		dwg no	10074783
			RA RECEPTACLE - 96mm			Rev. C
	catalog no		CUSTOMER		sheet 3 of 3	



Copyright FCI.

X-ON Electronics

Largest Supplier of Electrical and Electronic Components

Click to view similar products for [High Speed/Modular Connectors](#) category:

Click to view products by [Amphenol](#) manufacturer:

Other Similar products are found below :

[650827-1](#) [74040-1346](#) [1410191-1](#) [1410337-1](#) [1410368-3](#) [1410964-2](#) [1410326-3](#) [1410367-3](#) [1410971-4](#) [1467833-1](#) [2000877-1](#) [2000878-1](#)
[2041314-1](#) [2065387-1](#) [2187307-1](#) [163P](#) [1934290-1](#) [2000875-1](#) [2065917-1](#) [2102736-2](#) [FSR-40](#) [2169868-2](#) [22354-8](#) [437-5040-000](#) [5-](#)
[1393565-0](#) [039-0246-000](#) [0740618502](#) [0761601016](#) [0784461022](#) [10123159-12ELF](#) [030-2415-003/100 PK](#) [030-7380-004](#) [030-2494-001](#)
[532939-1](#) [5532901-3](#) [3-1469268-7](#) [74748-102LF](#) [73670-0247](#) [10041743-101LF](#) [10066670-100002LF](#) [1-533915-1](#) [249-4515-000](#) [7-1469373-](#)
[3](#) [DL2-2J/S](#) [2000713-8](#) [2000713-7](#) [3011-21](#) [757105208](#) [EBTF-4-10-2.0-S-RA-1](#) [430305-001](#)