

PRODUCT NUMBER
10075024-XXX-XXXLF

LEAD FREE
RoHS COMPATIBLE
NOTE 6
PACKAGING
NOTE 5
POSITIONS PER ROW
02 TO 25
SEE NOTE 9

STYLE	DIM "A"	DIM "B"
01	4.00	2.00
02	6.90	2.00
03	5.80	2.00
04	6.00	3.00

PLATING
S = 0.38µm GOLD ON CONTACT AREA
G = 0.76µm GOLD ON CONTACT AREA
2µm MIN MATTE TIN ON TAIL
F = GOLD FLASH ON CONTACT AREA
2µm MIN MATTE TIN ON TAIL

NOTES:
1. MATERIAL HOUSING: HIGH TEMP. THERMOPLASTIC UL 94V-0, COLOR BLACK
2. MATERIAL TERMINAL: COPPER ALLOY
3. TO DETERMINE DIMENSIONS:
N = NUMBER OF POSITIONS PER ROW
4. 7N MIN. PIN RETENTION IN EITHER DIRECTION.

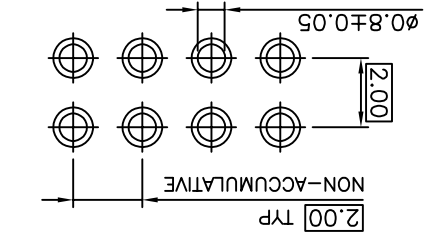
5. PACKAGING:
= STANDARD PACKAGING IN POLYBAG
U = TUBE WITHOUT PICK UP CAP AVAILABLE FROM 03 TO 25 POS PER ROW
P = TUBE WITH PICK UP CAP AVAILABLE FROM 03 TO 25 POS PER ROW
A = TAPE AND REEL WITH PICK UP CAP, AS AVAILABLE.

6. RoHS COMPATIBLE PRODUCT SPECIFICATIONS

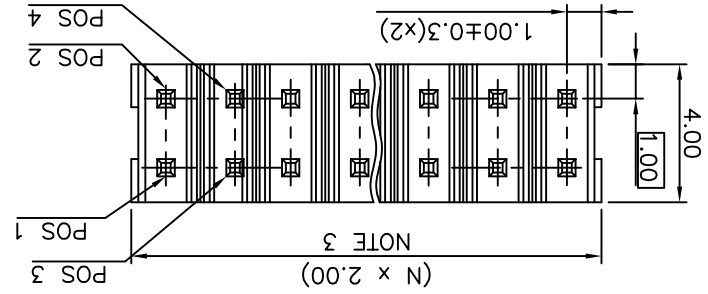
a - PLATING:
- "LF" MEANS THE PRODUCT IS LEAD-FREE, 2µm MINIMUM MATTE TIN OVER 1.27µm MINIMUM NICKEL UNDERPLATE.
b - MANUFACTURING PROCESS COMPATIBILITY
- THE HOUSING WILL WITHSTAND EXPOSURE TO 260°C PEAK TEMPERATURE FOR 30 SECONDS MAX IN A CONVECTION, INFRA-RED, OR VAPOR PHASE OR REFLOW OVEN
c - LABELLING:
- MEETS PACKAGING SPECS AS PER GS-14-920
d - LEGAL STATEMENT: SEE GS-47-0004

9. OPTIONAL LETTER:
FOR FULL LOADED PRODUCT USE -
FOR POLARIZED VERSIONS, SEE TABLE

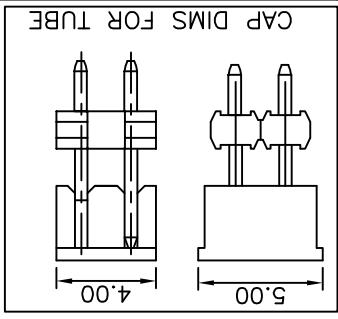
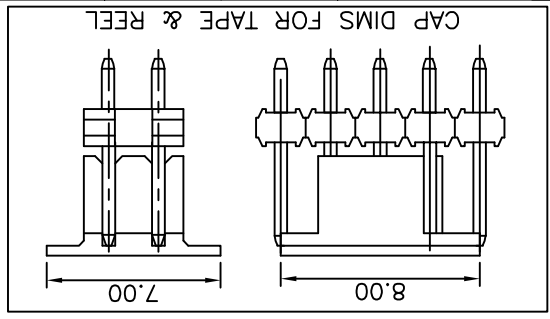
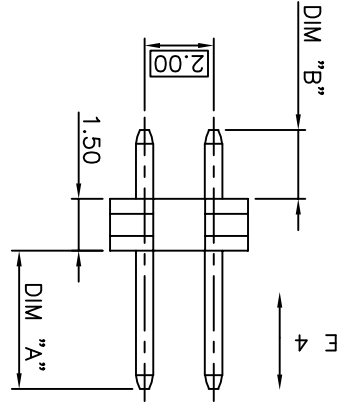
OPTIONAL LETTER FOR POLARIZED VERSION	MISSING PIN POSITION
A	20



RECOMMENDED 1.6mm THICK PCB LAYOUT
STENCIL DESIGN RECOMMENDATIONS



SQUARE 0.51 REF



mat'l. code

lfr	ecn no	dr	date	tolerance unless otherwise specified	projection
	ISO 1302			ISO 406 ISO 1101	

angles

linegr	xx ±0.15	x ±0.3	mm
			scale 5:1

lfr	ecn no	dr	date	tolerance unless otherwise specified	projection
H	B-19797	AMA	14.12.16		
J	F-23051	AMA	16.01.15		
K	F-26013	DDE	17.02.02		
L	F-27930	DDE	17.09.11		
F	B-17556	JCO	14.04.23	chr	
G	B-19190	LMU	14.10.24	qppd	
		JMC	07.01.04		

product family MINITEK

title UNSHR.HEADER
2.00 mm VERTICAL PIP

dwg no 10075024
sheet 1 of 1 size A3

type CUSTOMER Drawing

X-ON Electronics

Largest Supplier of Electrical and Electronic Components

Click to view similar products for [Headers & Wire Housings](#) category:

Click to view products by [Amphenol](#) manufacturer:

Other Similar products are found below :

[95000-104TRLF](#) [10135584-644402LF](#) [DF62W-EP2022PCA](#) [95000-106TRLF](#) [DF62W-2022SCA](#) [DF62W-EP2022PC](#) [2203348](#) [DF62W-2022SC](#) [1084018](#) [1029039](#) [1084017](#) [802-10-012-10-002000](#) [1112640](#) [1112639](#) [891-007-9SS-BST1T](#) [000-34000](#) [0008550134](#) [0009482033](#) [0009507031](#) [57102-F02-18ULF](#) [57102-S06-03LF](#) [57202-S52-04LF](#) [PCN6-15S-2.5E](#) [0039019024](#) [58102-G61-06LF](#) [582553-1](#) [0009485154](#) [0009508121](#) [0022285053](#) [0050291907](#) [018731A](#) [LY20-4P-DT1-P1E-BR](#) [02.125.8002.8](#) [60101931](#) [60598-1 \(Cut Strip\)](#) [M1625-3R/100](#) [61062-3](#) [61082-181009](#) [CSU011177004](#) [636-1427](#) [638009-1](#) [641938-9](#) [641991-4](#) [644168-1](#) [644827-2](#) [647662-1](#) [65039-019ELF](#) [65692-001LF](#) [65781-018](#) [65781-047](#)