

PRODUCT NUMBER  
10075024-XXX-XXXLF

PLATING

S = 0.38µm GOLD ON CONTACT AREA  
2µm MIN MATTE TIN ON TAIL  
G = 0.76µm GOLD ON CONTACT AREA  
2µm MIN MATTE TIN ON TAIL

F = GOLD FLASH ON CONTACT AREA  
2µm MIN MATTE TIN ON TAIL

1.27µm MIN NICKEL UNDERPLATING

LEAD FREE  
RoHS COMPATIBLE  
NOTE 6

PACKAGING  
NOTE 5

POSITIONS PER ROW  
02 TO 25

SEE NOTE 9

PIN STYLE	DIM "A" ±0.25	DIM "B" ±0.20
01	4.00	2.00
02	6.90	2.00
03	5.80	2.00
04	6.00	3.00

NOTES:

- MATERIAL HOUSING: HIGH TEMP. THERMOPLASTIC  
UL 94V-0, COLOR BLACK
- MATERIAL TERMINAL: COPPER ALLOY
- TO DETERMINE DIMENSIONS:  
N = NUMBER OF POSITIONS PER ROW
- 7N MIN. PIN RETENTION IN EITHER DIRECTION.
- PACKAGING:  
= STANDARD PACKAGING IN POLYBAG  
U = TUBE WITHOUT PICK UP CAP  
AVAILABLE FROM 03 TO 25 POS PER ROW  
P = TUBE WITH PICK UP CAP  
AVAILABLE FROM 03 TO 25 POS PER ROW  
A = TAPE AND REEL WITH PICK UP CAP, AS AVAILABLE.

6. RoHS COMPATIBLE PRODUCT SPECIFICATIONS

a - PLATING:

- "LF" MEANS THE PRODUCT IS LEAD-FREE,  
2µm MINIMUM MATTE TIN OVER 1.27µm  
MINIMUM NICKEL UNDERPLATE.

b - MANUFACTURING PROCESS COMPATIBILITY

- THE HOUSING WILL WITHSTAND EXPOSURE TO  
260°C PEAK TEMPERATURE FOR 30 SECONDS MAX  
IN A CONVECTION, INFRA-RED, OR VAPOR PHASE  
OR REFLOW OVEN

c - LABELLING:

- MEETS PACKAGING SPECS AS PER GS-14-920

d - LEGAL STATEMENT: SEE GS-47-0004

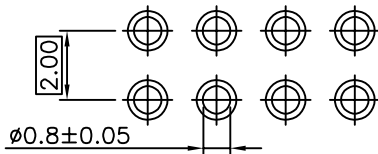
9. OPTIONAL LETTER:

- FOR FULL LOADED PRODUCT USE -
- FOR POLARIZED VERSIONS, SEE TABLE

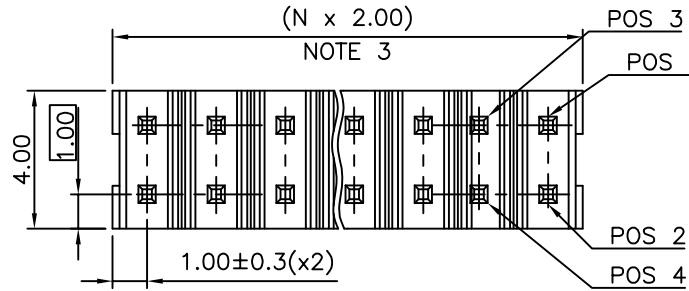
OPTIONAL LETTER FOR POLARIZED VERSION	MISSING PIN POSITION
A	20

2.00 TYP

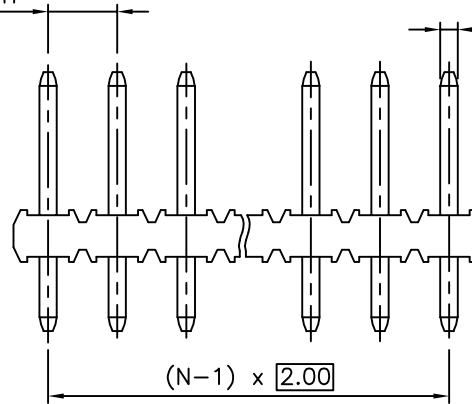
NON-ACCUMULATIVE



RECOMMENDED 1.6mm THICK PCB LAYOUT  
STENCIL DESIGN RECOMMENDATIONS

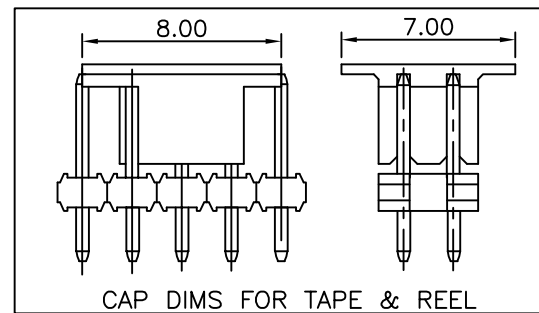
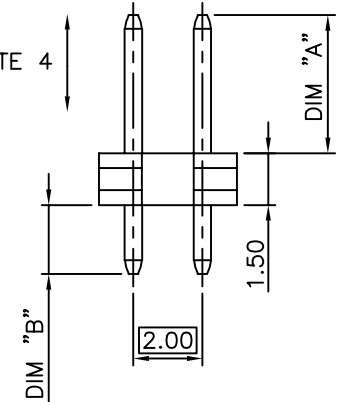


2.00 TYP

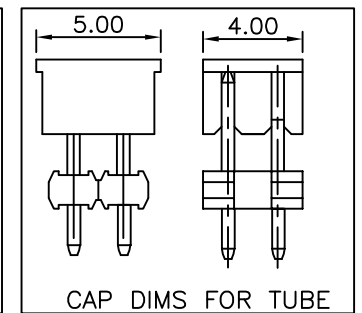


SQUARE 0.51 REF

NOTE 4



CAP DIMS FOR TAPE & REEL



CAP DIMS FOR TUBE

mat'l. code		surface		tolerance		projection		product family	
		ISO 1302		ISO 406 ISO 1101		mm		MINITEK	
ltr	ecn no	dr	date	tolerances unless otherwise specified		mm		title	
H	B-19797	AMA	14.12.16	angles	.x ±0.3	mm		UNSHR.HEADER	
J	F-23051	AMA	16.01.15	linear	.xx ±0.15	mm		2.00 mm VERTICAL PIP	
K	F-26013	DDE	17.02.02		.xxx ±0.05	scale 5:1		dwg no	
L	F-27930	DDE	17.09.11	dr	L MULIN 07.01.04	mm		sheet 1 of 1 size	
				engr	J.COMPAGNON 07.01.04	mm		10075024 A3	
F	B-17556	JCO	14.04.23	chr		mm		type	
G	B-19190	LMU	14.10.24	appd	JM.C 07.01.04	mm		CUSTOMER Drawing	
sheet index	revision sheet								



## X-ON Electronics

Largest Supplier of Electrical and Electronic Components

*Click to view similar products for [Headers & Wire Housings](#) category:*

*Click to view products by [Amphenol](#) manufacturer:*

Other Similar products are found below :

[892-18-020-10-001101](#) [58102-G61-06LF](#) [582553-1](#) [0009485154](#) [009176003701906](#) [0050291907](#) [LY20-4P-DT1-P1E-BR](#) [02.125.8002.8](#)  
[609-3404](#) [61062-3](#) [622-0430](#) [622-3653LF](#) [63453-116](#) [636-1030](#) [636-1427](#) [636-3427](#) [636-4007](#) [641938-9](#) [641991-4](#) [644827-2](#) [65817-010LF](#)  
[65817-015LF](#) [65863-015LF](#) [66207-023LF](#) [67095-007LF](#) [67601157](#) [68648-049](#) [70.362.1628.0](#) [70-4210](#) [70-4226B](#) [70-4853B](#) [707-5020](#) [707-](#)  
[5028](#) [71.350.2428.0](#) [71918-208LF](#) [71961-016LF](#) [733-134](#) [733-162](#) [754199-000](#) [760-3052](#) [787-8014-00](#) [79531-3000](#) [FCN-360C032-B](#) [FCN-](#)  
[367T-T012/H](#) [FCN-723D010/2](#) [80.063.4001.1](#) [800-90-001-10-001000](#) [800-90-010-10-002000](#) [801-43-002-10-013000](#) [801-43-006-10-002000](#)