

PRODUCT NUMBER
10075025-XXX-XXXLF

PLATING

S = 0.38µm GOLD/GXT ON CONTACT AREA
2µm MIN MATTE TIN ON TAIL

G = 0.76µm GOLD/GXT ON CONTACT AREA
2µm MIN MATTE TIN ON TAIL

F = GOLD FLASH ON CONTACT AREA
2µm MIN MATTE TIN ON TAIL

1.27µm MIN NICKEL UNDERPLATING

PIN STYLE	TAIL LENGTH	MISSING PIN POSITION
01	2.00	
02	2.50	
03	2.00	A01

LEAD FREE
RoHS COMPATIBLE
NOTE 7

PACKAGING
NOTE 5

TOTAL NUMBER OF
POSITIONS 04 TO 50

NOTES:

- MATERIAL HOUSING: HIGH TEMP. THERMOPLASTIC UL 94V-0, COLOR NATURAL
- MATERIAL TERMINAL: COPPER ALLOY
- TO DETERMINE DIMENSIONS:
N = NUMBER OF POSITIONS PER ROW
- 7N MIN. PIN RETENTION IN EITHER DIRECTION.
- PACKAGING:
= STANDARD PACKAGING IN POLYBAG
U = TUBE AVAILABLE FROM 03 TO 25 POS PER ROW
A = TAPE & REEL WITH PICK UP CAP, AS AVAILABLE.

- POLARIZATION :
- SEE TABLE FOR AVAILABILITY
- FOR NEW REQUEST, PLEASE TO CONTACT FCI

7. RoHS COMPATIBLE PRODUCT SPECIFICATIONS

a - PLATING:

- "LF" MEANS THE PRODUCT IS LEAD-FREE, 2µm MINIMUM MATTE TIN OVER 1.27µm MINIMUM NICKEL UNDERPLATE.

b - MANUFACTURING PROCESS COMPATIBILITY

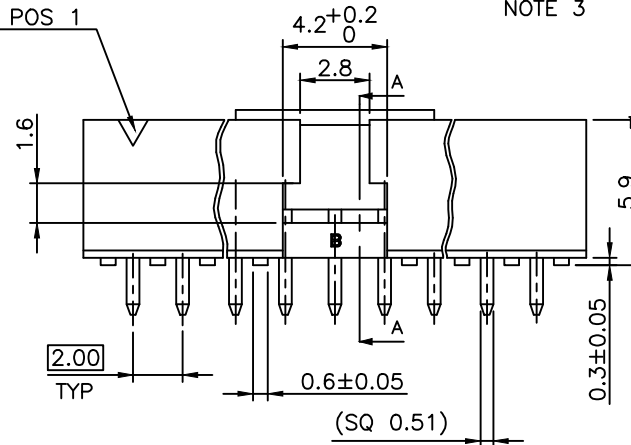
- THE HOUSING WILL WITHSTAND EXPOSURE TO 260°C PEAK TEMPERATURE FOR 30 SECONDS MAX IN A CONVECTION, INFRA-RED, OR VAPOR PHASE OR REFLOW OVEN

c - LABELLING:

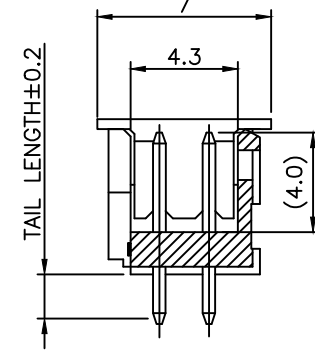
- MEETS PACKAGING SPECS AS PER GS-14-920

d - LEGAL STATEMENT: SEE GS-47-0004

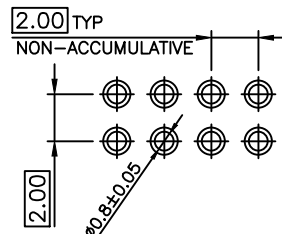
INDICATES POS 1



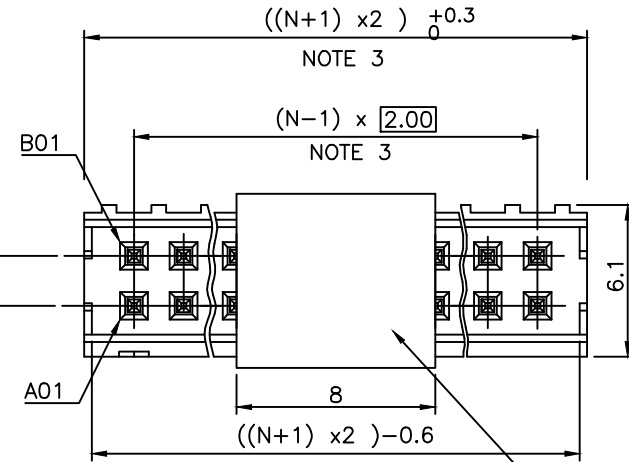
OPTIONAL PICK UP CAP



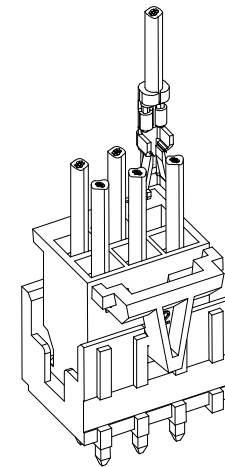
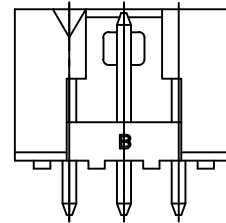
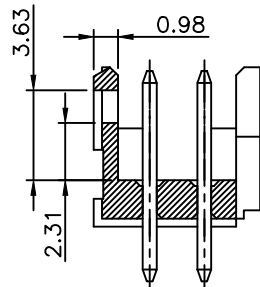
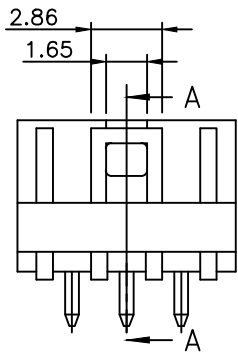
SECTION A-A



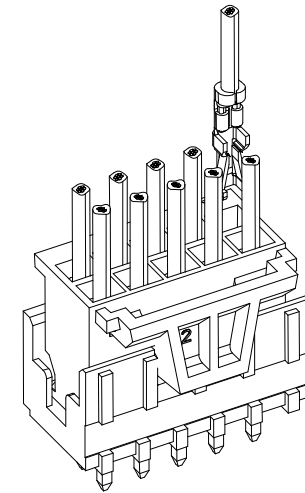
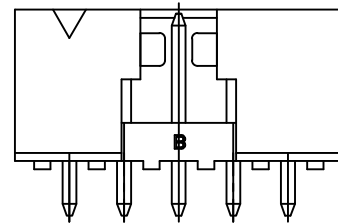
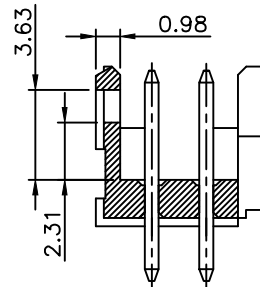
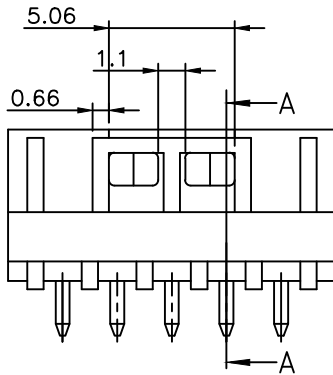
RECOMMENDED 1.6mm THICK PCB LAYOUT
STENCIL DESIGN RECOMMENDATIONS
AS PER TA-896



mat'l. code		surface		tolerance		projection		product family	
		ISO 1302		ISO 406 ISO 1101		mm		MINITEK	
ltr		ecn no		date		tolerances unless otherwise specified		title	
R		F-23051		AMA 16.01.15		.x ±0.3		UNSHR.HEADER	
S		F-24837		AMA 16.08.29		.xx ±0.15		2.00 mm VERTICAL PIP	
T		F-24838		LMU 16.08.29		.xxx ±0.05		scale 5:1	
		dr		L MULIN 07.01.04		FCI		dwg no	
M		B-20079		AMA 15.01.23		engr J.COMPAGNON 07.01.04		sheet 1 of 2	
N		B-20254		LMU 15.02.16		chr		size	
P		B-21209		AMA 15.06.22		appd JM.C 07.01.04		10075025 A3	
sheet		revision		T		B		type	
index		sheet		1		2		CUSTOMER Drawing	



2x3 POS AND 2x4 POS CONFIGURATION
NO LATCHING AVAILABLE FOR 2x2 POS



2x5 POS UP TO 2x25 POS CONFIGURATION

LATCHING FEATURES WHEN USED IN COMBINATION
WITH ACTIVE LATCH HOUSING 10073599

mat'l. code		surface		tolerance		projection		product family	
		ISO 1302		ISO 406 ISO 1101				MINITEK	
ltr		ecn no		dr		date		title	
A		F06-0113		LMU		08.01.07		UNSHR.HEADER	
B		B-17556		JCO		14.04.23		2.00 mm VERTICAL PIP	
				angles		linear		scale 5:1	
						.x ±0.3			
						.xx ±0.15		dwg no	
						.xxx ±0.05		sheet 2 of 2	
				dr		L MULIN		07.12.04	
				enr		J.COMPAGNON		07.12.04	
				chr					
				appd		JM.C		07.12.04	
sheet		revision						type	
index		sheet						CUSTOMER Drawing	



Copyright FCI

X-ON Electronics

Largest Supplier of Electrical and Electronic Components

Click to view similar products for [Headers & Wire Housings](#) category:

Click to view products by [Amphenol](#) manufacturer:

Other Similar products are found below :

[892-18-020-10-001101](#) [58102-G61-06LF](#) [582553-1](#) [0009485154](#) [009176003701906](#) [0050291907](#) [LY20-4P-DT1-P1E-BR](#) [02.125.8002.8](#)
[609-3404](#) [61062-3](#) [622-0430](#) [622-3653LF](#) [63453-116](#) [636-1030](#) [636-1427](#) [636-3427](#) [636-4007](#) [641938-9](#) [641991-4](#) [644827-2](#) [65817-010LF](#)
[65817-015LF](#) [65863-015LF](#) [66207-023LF](#) [67095-007LF](#) [67601157](#) [68648-049](#) [70.362.1628.0](#) [70-4210](#) [70-4226B](#) [70-4853B](#) [707-5020](#) [707-5028](#) [71.350.2428.0](#) [71918-208LF](#) [71961-016LF](#) [733-134](#) [733-162](#) [754199-000](#) [760-3052](#) [787-8014-00](#) [79531-3000](#) [FCN-360C032-B](#) [FCN-367T-T012/H](#) [FCN-723D010/2](#) [80.063.4001.1](#) [800-90-001-10-001000](#) [800-90-010-10-002000](#) [801-43-002-10-013000](#) [801-43-006-10-002000](#)