

10078991-GXX-XXULF

PLATING
0.76µm GXT (Pd Ni WITH GOLD FLASH)
OVER 1.27µm NICKEL UNDERPLATE

TAIL LENGTH

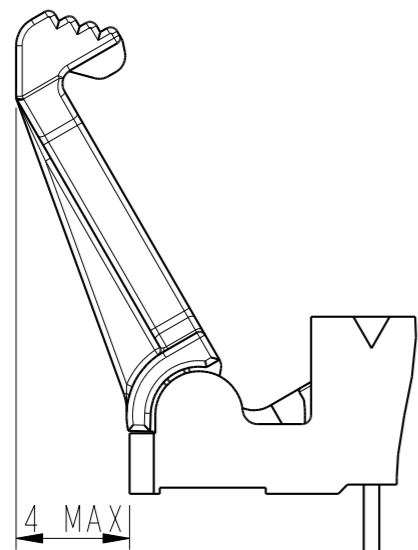
STYLE	TAIL LENGTH (mm)
2	2.5
3	3.1

LATCH TYPE:
1-STANDARD : FOR USE WITH STRAIN-RELIEF 10073978
2-LOW PROFILE : FOR USE WITHOUT STRAIN-RELIEF

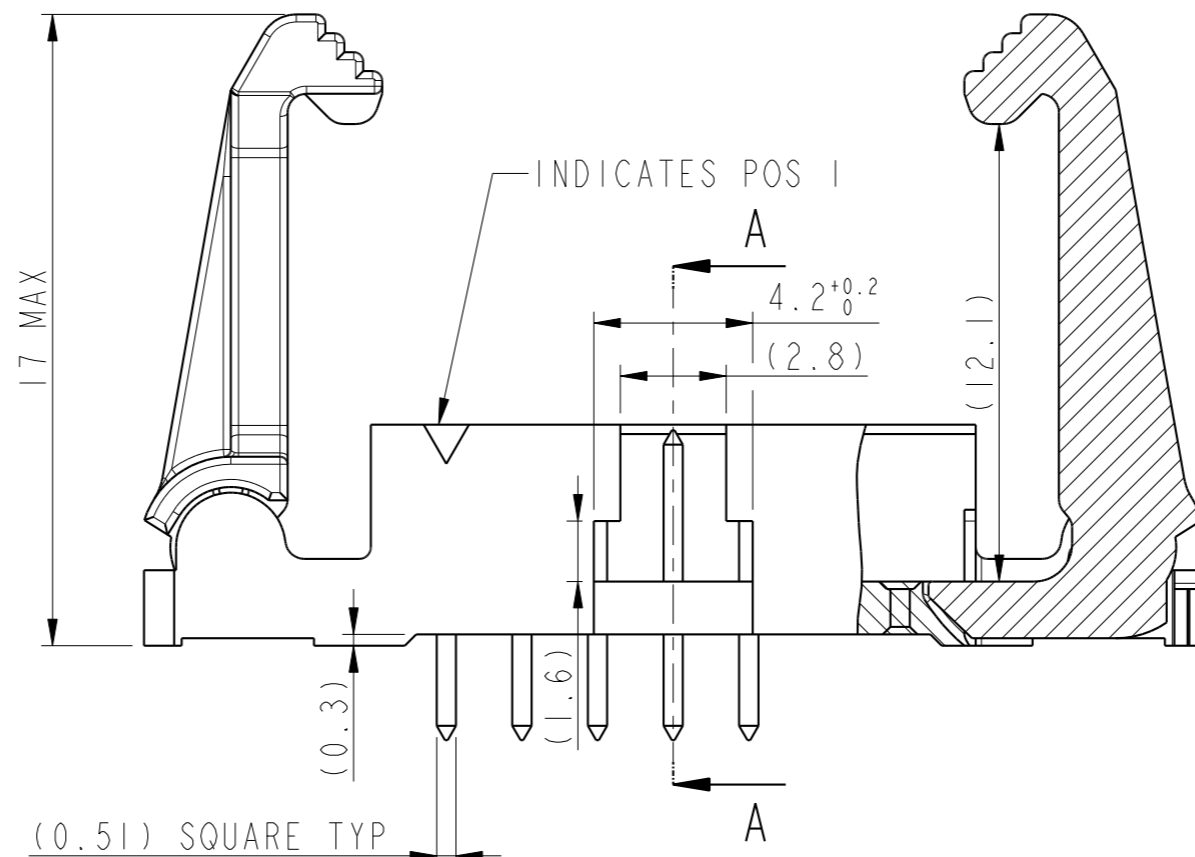
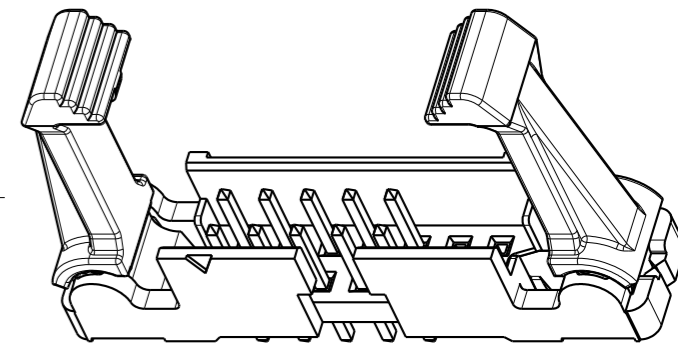
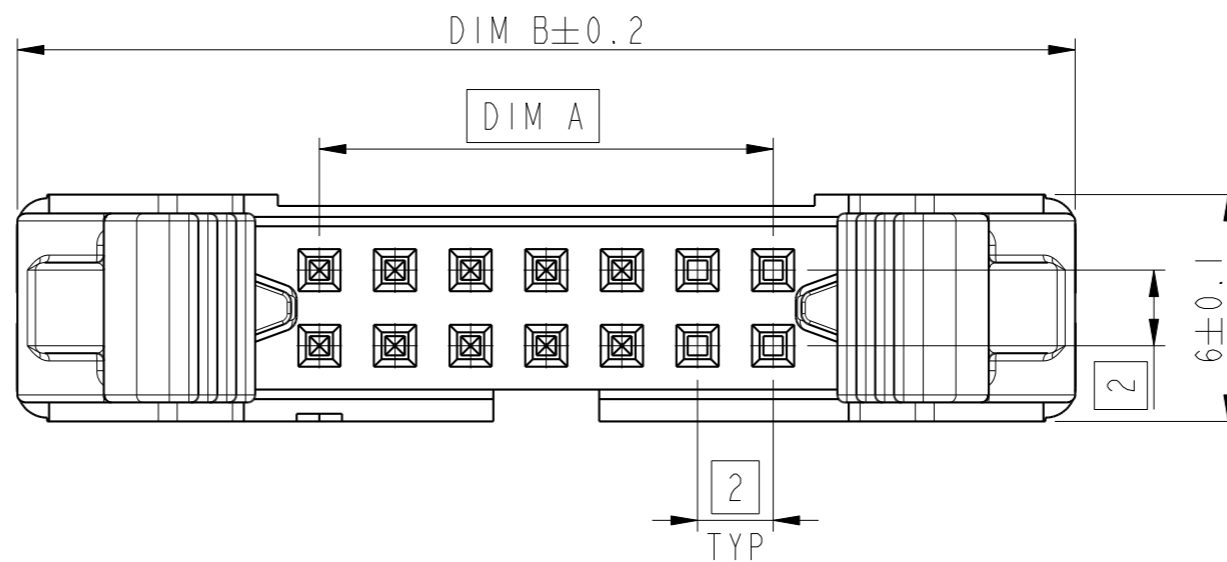
SIZE: TOTAL NB OF POSITIONS
SEE SHEET 2

PACKAGING. SEE NOTE 4

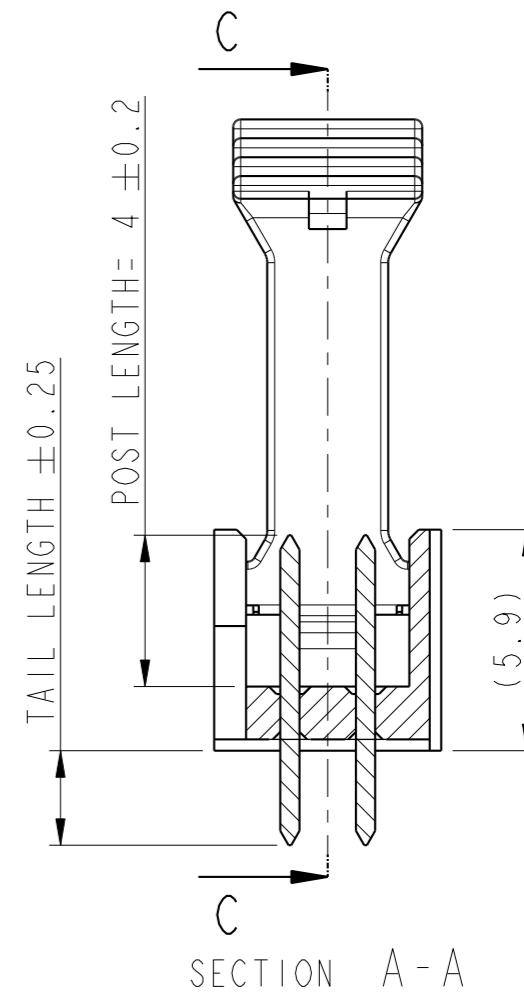
SUFFIX LETTER "LF" INDICATES
THE PRODUCT IS ROHS
COMPLIANT. SEE NOTE 5.



OPENED POSITION



SECTION C-C
VIEW WITH STANDARD LATCH

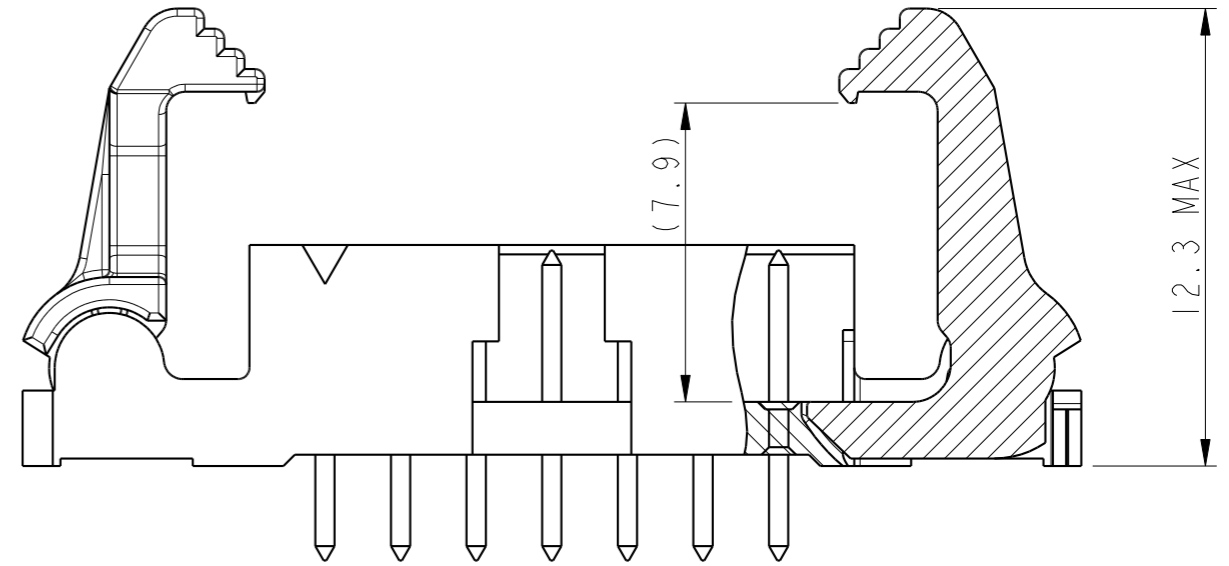
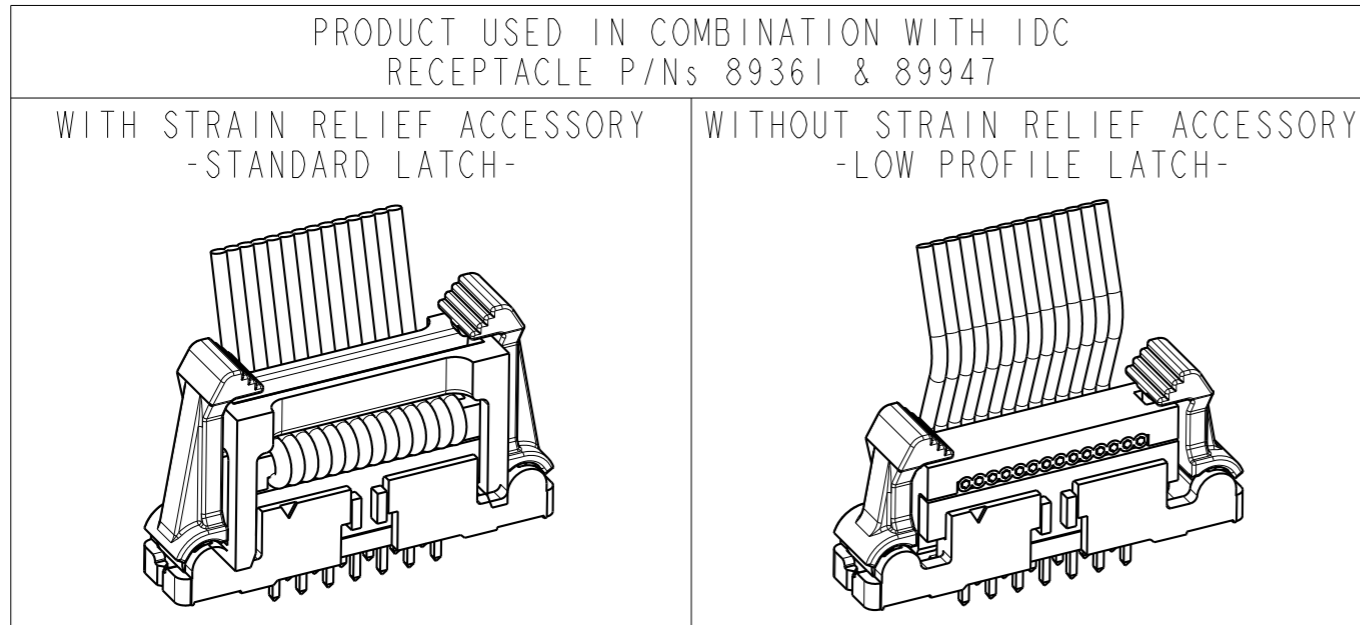
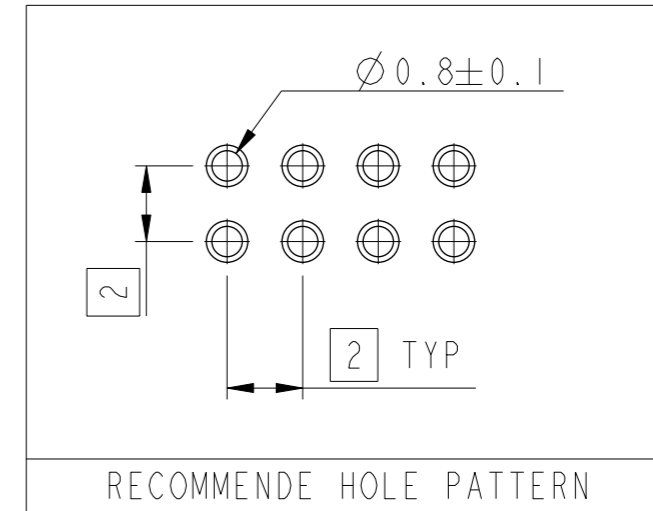
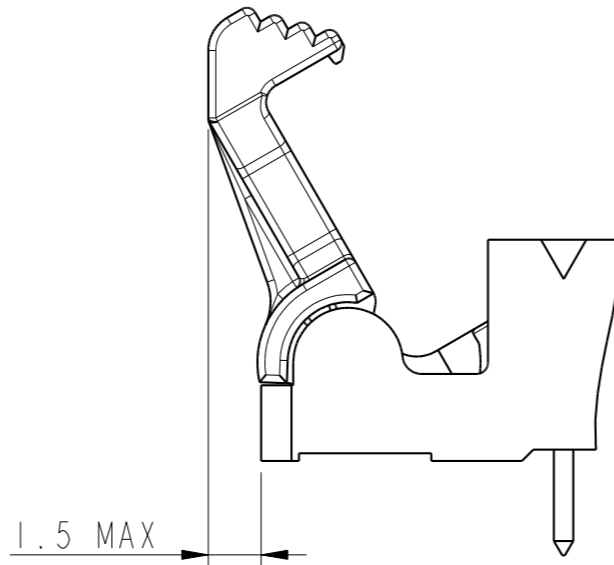


SECTION A-A

- NOTES :
- 1- MATERIAL HOUSING: HIGH TEMPERATURE THERMOPLASTIC
UL 94 VO . COLOR CREAM.
 - MATERIAL LATCH : HIGH TEMPERATURE THERMOPLASTIC
UL 94 VO . COLOR BLACK.
 - 2 - MATERIAL TERMINAL : COPPER ALLOY
 - 3- PIN RETENTION IN EITHER DIRECTION : 7N MIN
 - 4 - PACKAGING
U= TUBE WITHOUT PICK UP CAP.
 - 5- ROHS COMPATIBLE PRODUCT SPECIFICATIONS :
 - a- PLATING :
"LF" MEANS THE PRODUCT IS LEAD FREE
2µm MINIMUM MATTE TIN OVER 1.27 µm NICKEL UNDERPLATE
 - b- MANUFACTURING PROCESS COMPATIBILITY
THE HOUSING WILL WITHSTAND EXPOSURE TO 260 °C ± 5 °C SOLDER BATH
TEMPERATURE FOR 5 SECONDS IN A WAVE SOLDER APPLICATION WITH A 1.6mm
THICK CIRCUIT BOARD.
 - c- LABELLING
MEETS PACKAGING SPECS AS PER GS-14 - 920.
 - d- THIS PRODUCT MEETS EUROPEAN DIRECTIVES
AND OTHER COUNTRY REGULATION AS DESCRIBED IN GS-2 2-008.

spec ref	-	dr	Sawanth, Ambaa	2020/12/08	projection	mm	size	A3	scale	5:1
tolerance std	ISO 406 ISO 1101	eng	Detouillon, Da	2022/04/26			ecn no	ELX-F-44560-1		
TOLERANCES UNLESS OTHERWISE SPECIFIED		chr	-	apppr			Wollin, Severi	2022/04/26	product family	-
surface	linear	0.X	±0.3	Amphenol FCI		EJECT LATCH HEADER VERTICAL TMT		cat. no.	Product - Customer Drw	sheet 1 of 2
		0.XX	±0.10							
		0.XXX	±0.05							
	angular	0°	±2°							

SIZE	POSITIONS	DIM A	DIM B
06	2x3	4.00	20.00
08	2x4	6.00	22.00
10	2x5	8.00	24.00
12	2x6	10.00	26.00
14	2x7	12.00	28.00
24	2x12	22.00	38.00
30	2x15	28.00	44.00
40	2x20	38.00	54.00
44	2x22	42.00	58.00
50	2x25	48.00	64.00



SECTION C-C
EXAMPLE 10078991-G02-14YLF
LOW PROFILE LATCH

spec ref	-	dr	Sawanth, Ambaa	2020/12/08	projection	mm	size	A3	scale	5:1
tolerance std	ISO 406 ISO 1101	eng	Detouillon, Da	2022/04/26			ecn no	ELX-F-44560-1		
TOLERANCES UNLESS OTHERWISE SPECIFIED		chr	-	-			rel level	Released		
surface	linear	0.X	±0.3		product family	-	rel level	Released		
		0.XX	±0.10		part no	10078991			rev	B
	angular	0°	±2°		cat. no.	-	Product - Customer Drw	sheet 2 of 2		

X-ON Electronics

Largest Supplier of Electrical and Electronic Components

Click to view similar products for [Headers & Wire Housings](#) category:

Click to view products by [Amphenol](#) manufacturer:

Other Similar products are found below :

[57102-F02-18ULF](#) [58102-G61-06LF](#) [582553-1](#) [009176003701906](#) [01.001.5753.1](#) [0050291907](#) [02.125.8002.8](#) [609-3404](#) [61062-3](#)
[CSU011177004](#) [622-0430](#) [622-3653LF](#) [63453-116](#) [636-1030](#) [636-1427](#) [636-3427](#) [636-4007](#) [641938-9](#) [644827-2](#) [65495-038](#) [65692-001LF](#)
[65781-018](#) [65781-047](#) [65817-010LF](#) [65817-015LF](#) [66207-023LF](#) [67095-007LF](#) [68631-112](#) [68645-018](#) [699319-000](#) [M90C108951C](#)
[70.362.1628.0](#) [70-4210](#) [70-4226B](#) [70-4853B](#) [707-5020](#) [707-5028](#) [71.350.2428.0](#) [71961-016LF](#) [733-134](#) [754199-000](#) [760-3052](#)
[80.063.4001.1](#) [800-90-001-10-001000](#) [801-43-002-10-013000](#) [801-43-006-10-002000](#) [803-41-018-10-001000](#) [803-43-014-20-001000](#)
[803-43-024-10-001000](#) [803-93-012-10-001000](#)