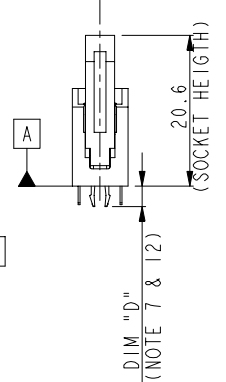
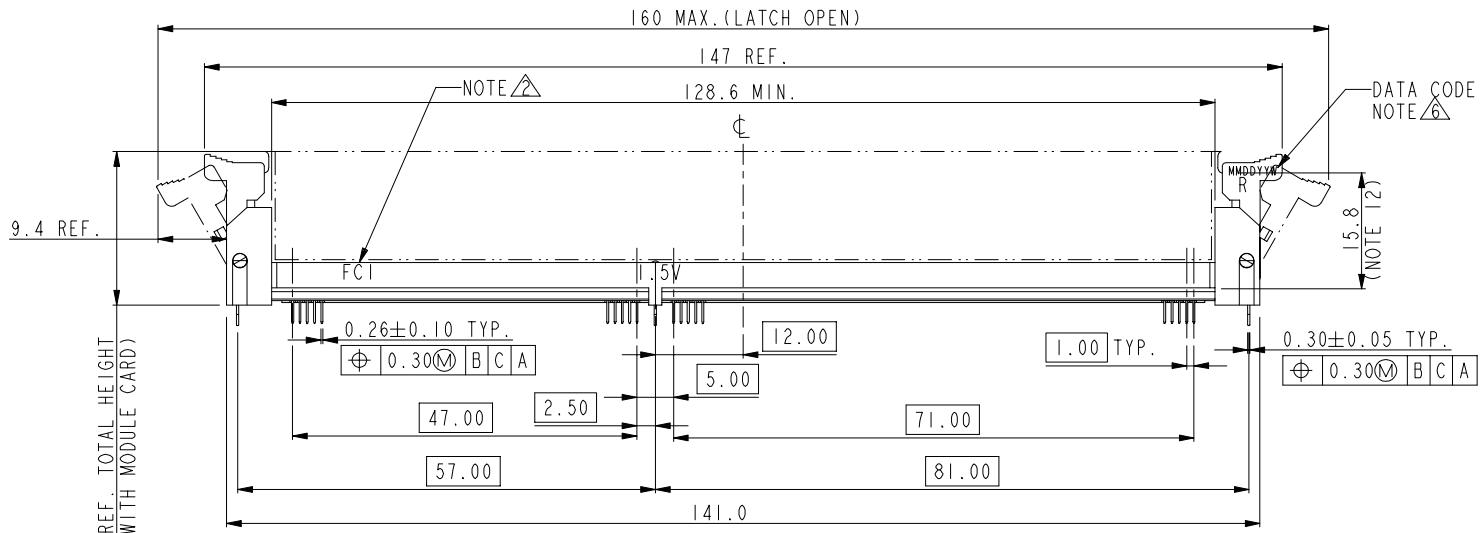
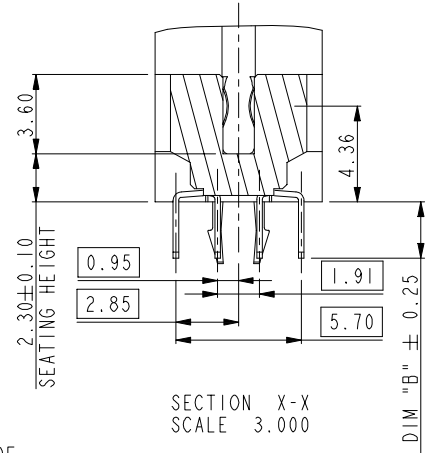
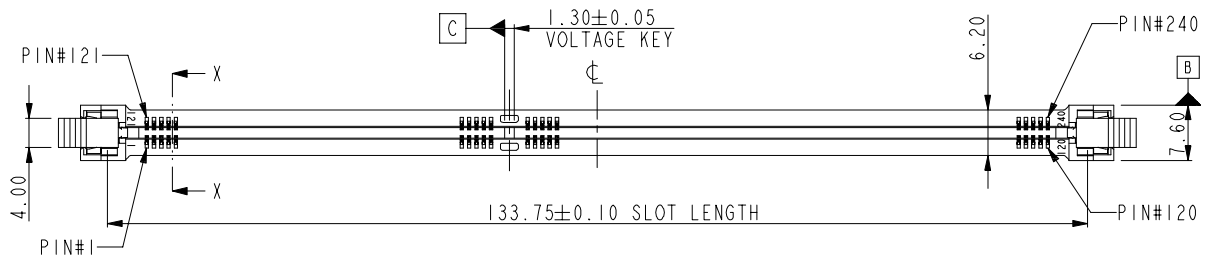
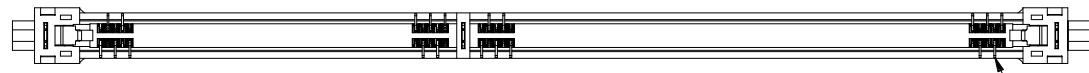




Copyright FCI.



20.95 REF. TOTAL HEIGHT (WITH MODULE CARD)



SEE NOTE 13 FOR CONTACTS (240P) LLCR PERFORMANCE

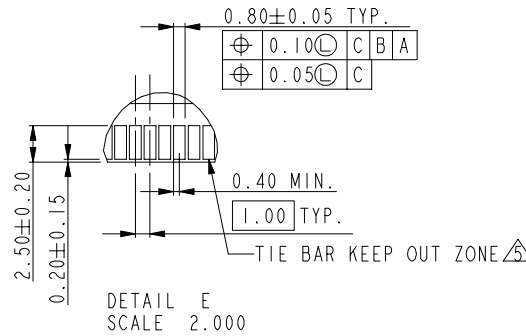
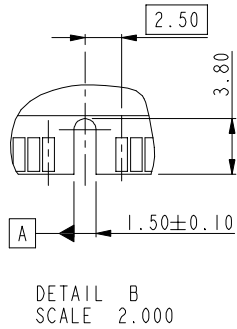
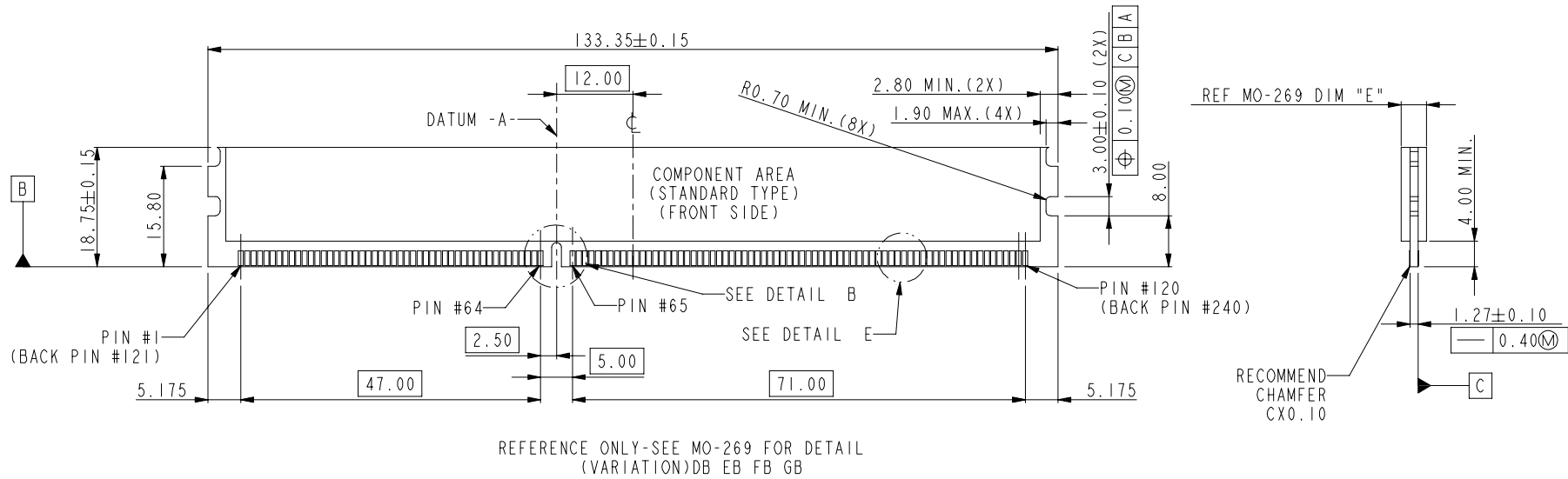
rev	ecn no	dr	date
H	T10-0047	R C	03/24/2010
J	ELX-DG-18042-4	ST	05/27/2014
K	ELX-DG-20235	ST	02/10/2015
-	-	-	-

www.fciconnect.com				surface	-	tolerance std	projection	MM	
				TOLERANCES UNLESS OTHERWISE SPECIFIED					
Dr	STONE	LI	02/10/2015	ANGULAR		0.X	±0.38	size	A4
Eng	STONE	LI	02/10/2015	LINEAR		0.XX	±0.25	Scale	0.707
Chr	ARAY	ZHANG	02/10/2015	0°	±5°	0.XXX	±0.13	ECN	/
Appr	Collins	Lu	02/10/2015	Product family				Spec ref	*
				FCI		title		10079192	
				title		VERY LOW PROFILE (VLP) T.H		Rev.	
				catalog no		-		K	
						customer		sheet 1 of 4	

REV F - 2006-04-17



Copyright FCI.

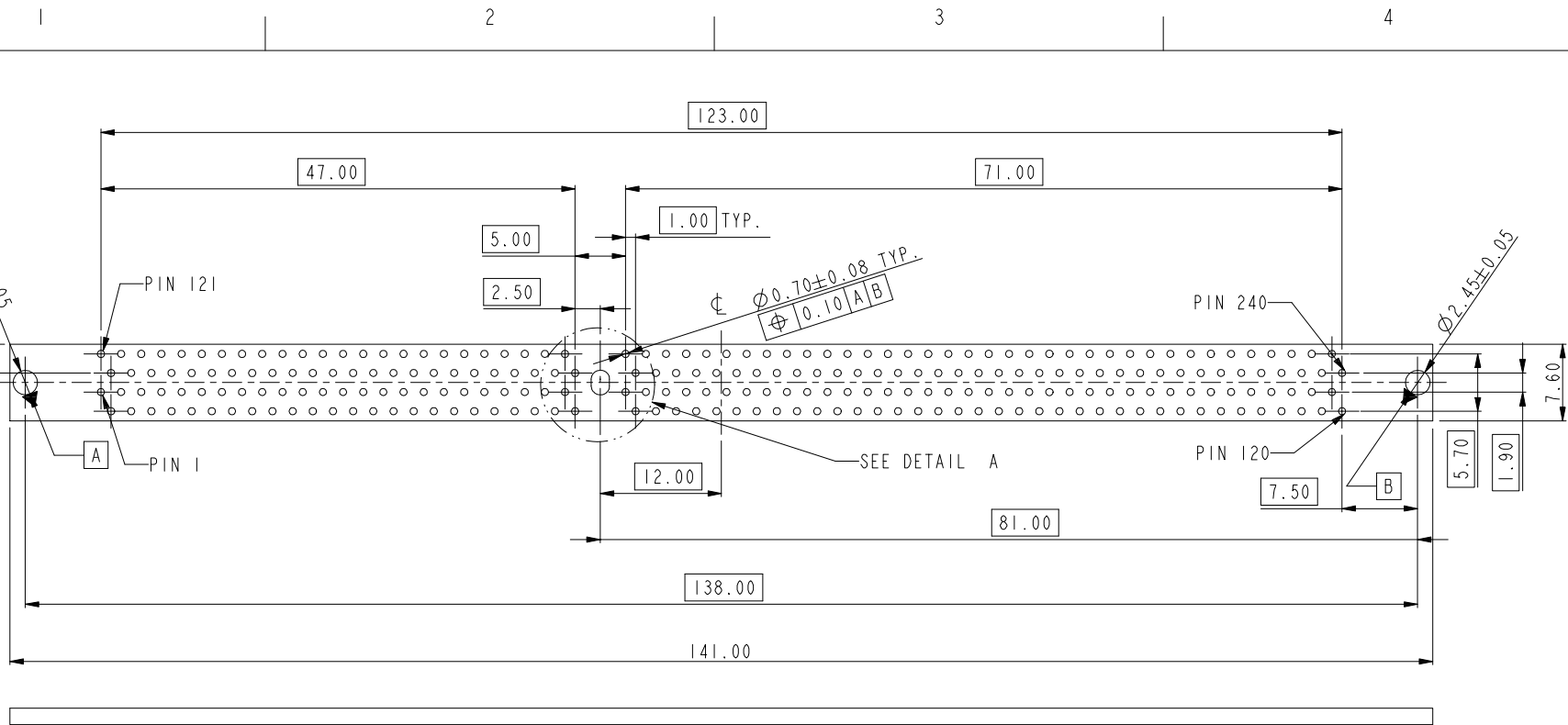


www.fciconnect.com				surface <input checked="" type="checkbox"/>	tolerance std	projection	MM
TOLERANCES UNLESS OTHERWISE SPECIFIED						Scale 1.000	
Dr	STONE	LI	02/10/2015	ANGULAR	0.X	±0.38	size A4
Eng	STONE	LI	02/10/2015	LINEAR	0.XX	±0.25	ECN /
Chr	ARAY	ZHANG	02/10/2015	0° ±5°	0.XXX	±0.13	Spec ref *
Appr	Collins	Lu	02/10/2015	Product family			
				title VERY LOW PROFILE (VLP) T.H. DDR3, 240P SOCKET (FOR RDIMM MOUDLE)		dwg no 10079192	
catalog no				CUSTOMER		sheet 2 of 4	

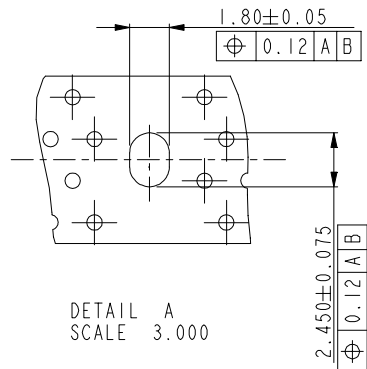


Copyright FCI.

REV F - 2006-04-17



RECOMMENDED CIRCUIT BOARD HOLE LAYOUT



www.fciconnect.com				surface	-	tolerance std	projection	MM
				TOLERANCES UNLESS OTHERWISE SPECIFIED				Scale
Dr	STONE	LI	02/10/2015	ANGULAR	0.X	±0.38	size	A4
Eng	STONE	LI	02/10/2015	LINEAR	0.XX	±0.25	ECN	0.707
Chr	ARAY	ZHANG	02/10/2015	0° ±5°	0.XXX	±0.13	ECN	/
Appr	Collins	Lu	02/10/2015	Product family	-	Spec ref	*	
		title VERY LOW PROFILE (VLP) T.H DDR3, 240P SOCKET (FOR RDIMM MOUDLE)			dwg no 10079192		Rev. K	
catalog no				-		CUSTOMER		sheet 3 of 4

10079192 - □ □ □ □  
 STYLE : MECHANICAL KEYING  
 I : 1.5 VOLT. W/ CENTER KEY

PLATING

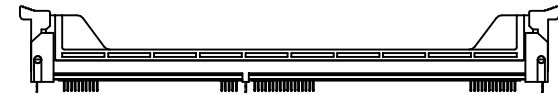
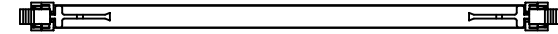
CODE	CONTACT	SOLDERTAIL	UNDERPLATE
2LF	15u" (0.38um) MIN. GOLD	100u" (2.54um) MIN. 100% MATTE TIN	50u" (1.27um) MIN. NICKEL OVERALL
3LF	30u" (0.76um) MIN. GOLD		
4LF	3u" (0.076um) MIN. GOLD		

CONTACT & FORKLOCK LENGTH

CODE	DIM "B"	DIM "D"	PCB THICKNESS
00	2.67 mm	3.50 mm	1.60 mm (0.063")
11	3.18 mm	4.00 mm	2.36 mm (0.093")

COLOR OF HOUSING AND EJECTOR

- 0 : BLACK HOUSING + IVORY EJECTOR
- 1 : BLACK HOUSING + AMBER EJECTOR (NOTE. 11)
- 2 : BLACK HOUSING + BLACK EJECTOR
- 8 : IVORY HOUSING + IVORY EJECTOR
- 9 : IVORY HOUSING + BLACK EJECTOR
- 3 : BLUE HOUSING + IVORY EJECTOR
- △4 : BLACK HOUSING + IVORY EJECTOR + CAP



PRODUCT WITH CAP ILLUSTRATION

NOTES:

1. MATERIAL:  
 HOUSING: HIGH PERFORMANCE RESINS, GLASS FILLED UL94V-0 RATED.  
 EJECTOR: HIGH PERFORMANCE RESINS, GLASS FILLED UL94V-0 RATED.  
 TERMINAL: HIGH PERFORMANCE COPPER ALLOY  
 METAL CLIP: COPPER ALLOY.
- △2 FCI LOGO TO BE APPROXIMATELY LOCATED AS SHOWN ON PRINT.
3. PRODUCT SPECIFICATION: GS-12-486.
4. PACKAGING SPECIFICATION: GS-14-899.
- △5 FOR OPTIMUM PERFORMANCE, THE TIE BAR IS TO BE ON AN INTERNAL LAYER SO THAT THE REMNANT CANNOT CAUSE CONTACT DAMAGE.
- △6 THE DATE CODE IS SHOWN "MM-DD-YY-W". "W" MEANS PRODUCTION LINE. "R" MEANS FOR 'RDIMM' SOCKET.
7. THE REQUIRED PCB THICKNESS IS 1.60MM MINIMUM FOR BOARD LOCK RETENTION.
8. THIS SOCKET MEETS APPLICABLE JEDEC STD.; SOCKET OUTLINE SO-XXX, GAUGE GS-00X AND GS-00X. (SUSPENDED BY JEDEC)
9. THIS PRODUCT MEETS EUROPEAN UNION DIRECTIVES AND OTHER COUNTRY REGULATIONS AS DESCRIBED IN GS-22-008.
10. THE HOUSING WILL WITH STAND EXPOSURE TO 260 ± 5°C PEAK TEMPERATURE FOR 10 SECONDS IN A WAVE SOLDERING APPLICATION.
11. AMBER EJECTOR OPTION IS ONLY FOR SOLDERING ENVIRONMENT TEMP. UNDER 170°C.
12. FROM SEATING PLANE TO TOP MODULE CARD ENGAGEMENT.
13. THIS SOCKET CONTACT EOL RESISTANCE IS DESIGNED TO BE 20 mohm MAX.



Copyright FCI.

www.fciconnect.com				surface <input checked="" type="checkbox"/>	tolerance std	projection	MM
				TOLERANCES UNLESS OTHERWISE SPECIFIED			
Dr	STONE	LI	02/10/2015	ANGULAR	0.X	±0.38	size A4
Eng	STONE	LI	02/10/2015	LINEAR	0.XX	±0.25	Scale 1.000
Chr	ARAY	ZHANG	02/10/2015	0° ±5°	0.XXX	±0.13	ECN /
Appr	Collins	Lu	02/10/2015	Product family	-	Spec ref	*
FCI		title VERY LOW PROFILE (VLP) T.H DDR3, 240P SOCKET (FOR RDIMM MOUDLE)			dwg no	10079192	
		catalog no	-	CUSTOMER	sheet 4 of 4		
							Rev. K

## X-ON Electronics

Largest Supplier of Electrical and Electronic Components

*Click to view similar products for [Amphenol manufacturer](#):*

Other Similar products are found below :

[PT01SE-16-8P\(027\)](#) [PT01SE-16-8P\(476\)](#) [CTV06RW-11-2JB-LC](#) [97-3108A-22-14P](#) [10-474017-10P](#) [MS27473P14B18S](#) [TV06RW-25-90AE](#)  
[CTVS06RF-25-46PB-LC](#) [PT02E10-2PW](#) [PT02E10-2PX](#) [97-3106A18-3PX-958](#) [97-3106A18-3PY-958](#) [PT06J20-24SW](#) [TV06RL-13-35AD](#)  
[TV06RL-13-98BD](#) [TV06RW-25-46AE](#) [TV06RL-13-35SD-LC](#) [TV06RL-13-35SD](#) [TV06RL-13-98SD-LC](#) [TV06RL-13-98SD](#) [TVP00RW-23-](#)  
[53AD](#) [PT02E10-2PW-025](#) [100-007-213-002-001](#) [2M805-002-16NF23-12PA](#) [97-3108B16S-5PW-417](#) [97-3108B16S-5PY-417](#) [CS-](#)  
[DSDMDB37MF-025](#) [97-3108B16S-5PZ-417](#) [GTC02R32-17S-025-RDS](#) [PT06SE2041P](#) [CF-5A9013-04N](#) [CF-6A4615-06N](#) [GTC02R32-17S-](#)  
[025-RDS-LC](#) [GTC02R32-17S-025-LC](#) [PT06SE-24-61P\(LC\)](#) [SP28W1F](#) [TV07DT-25-37P](#) [TV07DT-25-37JN-LC](#) [TV07DT-25-37S](#) [TV07DT-](#)  
[25-37S-LC](#) [TV07DT-25-46P-LC](#) [97-3101A20-21P-958](#) [TV07DT-25-90P-LC](#) [TV07DT-25-46A](#) [TV07DT-25-37P-LC](#) [GTS08-36-22PZ-025-](#)  
[B30](#) [PT00SP2241P](#) [CTVPS00RF-15-15AC](#) [LJT06RT-15-35PB\(023\)](#) [TVS07RF-15-15AB](#)