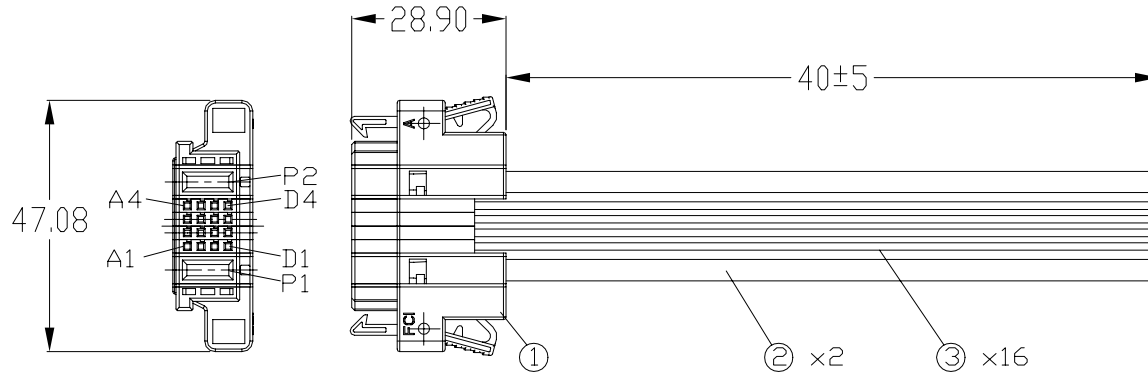


PRODUCT NUMBER
NOTE 3

10080594-1KB0543LF



FCI P/N:10066440-094

3	24AWG WIRE,UL1007,BLUE	AR	M
2	12AWG WIRE,UL1015,BLACK	AR	M
1	1P16S1P RECEPTACLE HOUSING KIT	1	EA
No.	DESCRIPTION	QTY	UNIT

spec ref	-	dr	William He	2014-07-25	projection	mm	size	A3	scale	N/A		
tolerance std	TOLERANCES UNLESS OTHERWISE SPECIFIED	eng	William He	2014-07-25			ecn no	-				
-		chr	Guo-Feng Jin	2014-07-25	product family		rel level	-				
surface	✓	appr	Guo-Feng Jin	2014-07-25	title		Pwrblade 1P16S1P STR RECEPTACLE CABLE ASSEMBLY		dwg no	10080594-1KB0543LF	rev	A
-	linear	0.X	± -	www.fci.com	cat. no.	-	Customer Drawing	sheet 1 of 2				
		0.XX	± 0.25									
		0.XXX	± -									
	angular	0~	± -'									

NOTES:

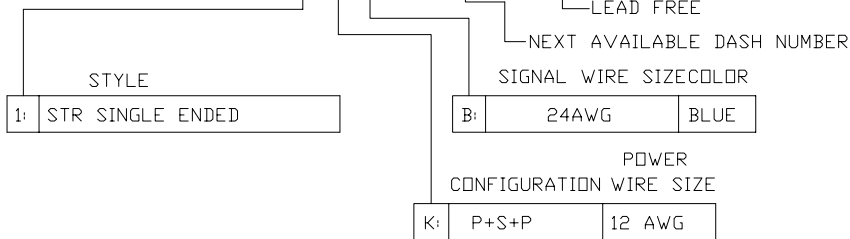
1. END1 MATE WITH FCI HEADER PART NUMBER 51939-***LF

2. UNLESS OTHERWISE SPECIFIED ASSEMBLED LENGTH TOLERANCE =
< 1 METER:±15.0mm
1 METER TO 10 METER:±2% OF "DIM L"
> 10 METER:+0.00%-4% OF "DIM L"

3. PART NUMBER DESCRIPTION:

BASE NUMBER DASH NUMBER

1 0 0 8 0 5 9 4 - 1 K B 0 5 4 3 L F



4. ALL CABLE ASSEMBLIES SHALL BE TESTED 100% FOR CONTINUITY AS DEFINED IN WIRING LIST.

5. UNLESS OTHERWISE SPECIFIED ALL CABLE ASSEMBLIES SHALL BE 100% HI-POT TESTED BY APPLYING 300V DC FOR MINIMUM OF 10ms, DIELECTRIC RESISTANCE 10MΩ MIN. CONNECTION RESISTANT 1.0Ω MAX. UNLESS ACTIVE COMPONENTS ARE USED IN THIS ASSEMBLY

6. ALL CUSTOMER DRAWINGS ARE SUPPLIED WITH METRIC DIMENSIONS.

7. LEAD FREE PRODUCTS MEET EUROPEAN UNION DIRECTIVES AND OTHER COUNTRY REGULATIONS AS DESCRIBED IN GS-47-0004.

LEAD FREE SOLDER TAIL PLATING 2.00um (80u") MIN. MATTE TIN OVER 1.27um (50u") MIN. NICKEL UNDERPLATE.

PACKAGING OF LEAD FREE PRODUCTS MEETS LABELING AND PACKAGING SPECIFICATION GS-14-920.

8. CONNECTOR ASSEMBIES SHOWN ARE FOR REFERENCE ONLY AND MAY NOT SHOW ALL PART DETAIL. REFERENCE CONNECTOR HOUSING DRAWINGS FOR COMPLETE DETAILS.

9. GLOBAL STANDARDS FOR CABLE PACKAGING: GS-14-1093.

10. THIS DIMENSION IS A FINISHED PRODUCT LENGTH.

11. CABLE: UL APPROVED
HOUSING: HIGH TEMP. THERMOPLASTIC, UL94V-0 GLASS FILLED,
COLOR: BLACK
POWER CONTACTS: COPPER ALLOY



Copyright FCI

spec ref	-	dr	William He	2014-07-25	projection		size	A3	scale	N/A										
tolerance std	TOLERANCES UNLESS OTHERWISE SPECIFIED	eng	William He	2014-07-25	product family		ecn no	-												
-		chr	Guo-Feng Jin	2014-07-25			rel level	-												
		appr	Guo-Feng Jin	2014-07-25																
surface	<table border="1"> <tr> <td rowspan="3">linear</td> <td>0.X</td> <td>± -</td> </tr> <tr> <td>0.XX</td> <td>± 0.25</td> </tr> <tr> <td>0.XXX</td> <td>± -</td> </tr> <tr> <td>angular</td> <td>0~</td> <td>± -'</td> </tr> </table>	linear	0.X	± -	0.XX	± 0.25	0.XXX	± -	angular	0~	± -'		title	Pwrblade 1P16S1P STR RECEPTACLE CABLE ASSEMBLY		dwg no	10080594-1KB0543LF		rev	A
linear	0.X		± -																	
	0.XX		± 0.25																	
	0.XXX	± -																		
angular	0~	± -'																		
-		www.fci.com	cat. no.	-	Customer Drawing		sheet 2 of 2													

X-ON Electronics

Largest Supplier of Electrical and Electronic Components

Click to view similar products for [amphenol manufacturer](#):

Other Similar products are found below :

[CTV06RGQF-17-52P](#) [CTVPS00RGF-23-6P-LC](#) [JTPQ00RT-16-35P\(453\)](#) [GC835TY2S](#) [CF-509621-29P](#) [BF8-1218-31SV-Y70](#) [TVP00RGW-23-6SA\(LC\)](#) [RNJ27CI1535P014](#) [10-553998-139](#) [21-033388-031](#) [10-507142-843](#) [GTS02R20-15P-025-116](#) [GTS06G-32-7S](#) [GTC06-36-78PX-023](#) [ACC02E28-51S-003-B30-LC](#) [TV06RL-13-35SD-LC](#) [TV06RL-13-35SD](#) [TV06RL-13-98SD-LC](#) [TV06RL-13-98SD](#) [GTC08AF32-15SX-B30-LC](#) [GTC06G32-76PZ](#) [TVP00RW-23-53AD](#) [100-007-213-002-001](#) [5M30-61](#) [JT07RT-22-14PB-453](#) [FSPP-103-00-004](#) [360031](#) [10-037090-161](#) [10-541504-001](#) [10-580902-409](#) [TV97RW-9-9S\(S15\)](#) [TVPS00RGF-9-5P-LC](#) [TVPS00RGF-9-5PA-LC](#) [TVP00RGQW-21-75P-LC](#) [TV06RW-25-90AE](#) [97-3108B16S-5PW-417](#) [PT06J20-24SW](#) [97-3108B16S-4PY-417](#) [97-3108B16S-4PX-417](#) [97-3108B16S-5PY-417](#) [97-3108B16S-4PW-417](#) [CS-DSDMDB37MF-025](#) [97-3108B16S-5PZ-417](#) [TV06RW-25-46AE](#) [TVS07RF-21-16AA](#) [TVS07RF-21-39BA](#) [60261626SNCOND1](#) [SE00TVW09](#) [CF-5A9013-04N](#) [CF-6A4615-06N](#)