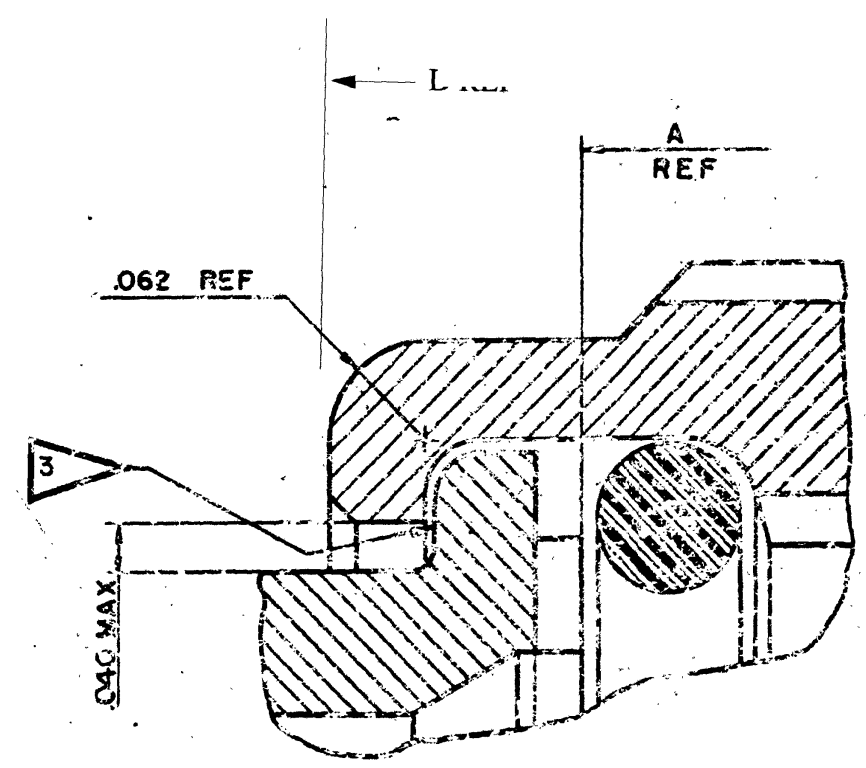
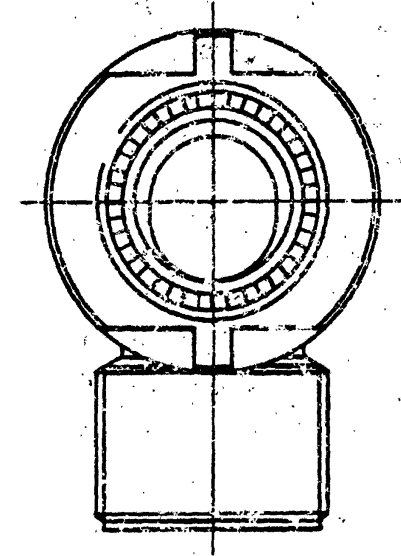
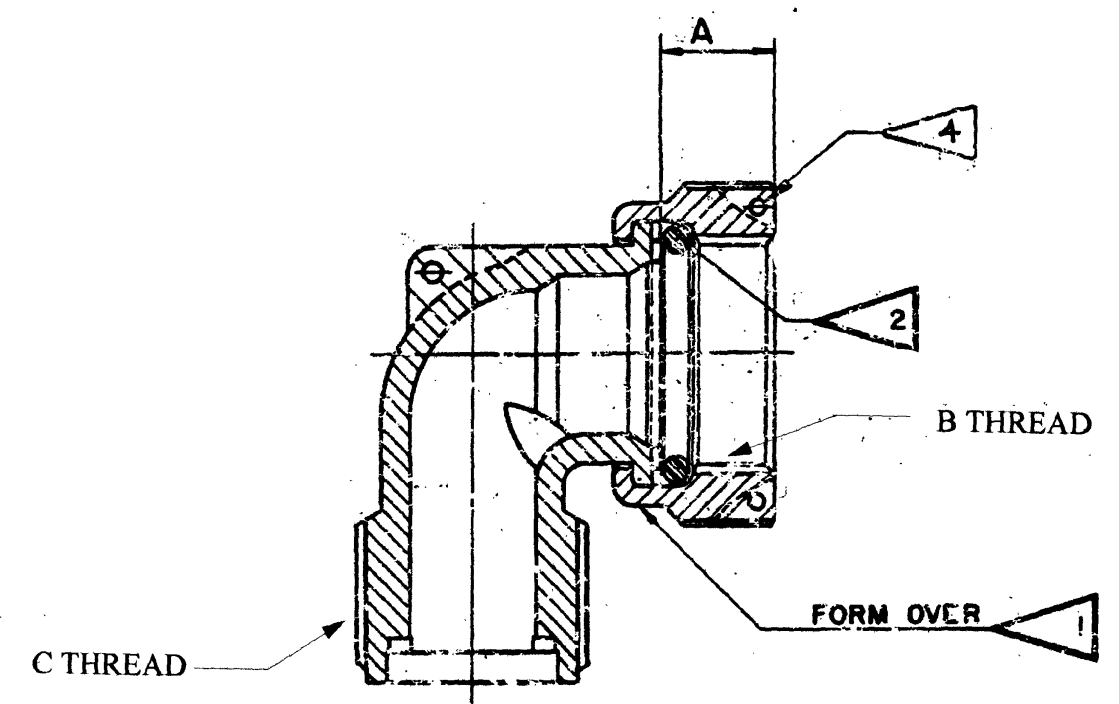


REL.	WAS	DATE	D'MAN	APPD.
70093-406				
A	(CL II) SEE CHANGE NOTICE, ECN: 28534	12-14-94	JED	JED
B	(CL II) SEE CHANGE NOTICE, ECN: 84690	5-11-99	JED	JED
C	(CL II) SEE ECN 91208	8/11/05	JED	JED
D	(CL II) SEE ECN 91208	8/11/05	JED	JED
E	(CL II) RE-ALIGNED COLUMNS ECN: 98105	11-8-06	VJ	

ASSY NUMBER	A +.015 -.025	ELBOW	NUT	GASKET	WEIGHT LBS	B THREAD	C THREAD	D MIN
10-35922-8 Y	.262	10-35924-8	10-35923-6	10-90351-8	.0227	.3750-32UNEF-2B	.5000-28UNEF-2A	.395
10-35922-10 Y	.234	10-35924-10	10-35923-10	10-90351-111	.0230	.5000-28UNEF-2B	.5000-28UNEF-2A	.395
10-35922-12 Y	.234	10-35924-12	10-35923-12	10-90351-113	.0310	.6250-24UNEF-2B	.6250-24UNEF-2A	.395
10-35922-14 Y	.234	10-35924-14	10-35923-14	10-90351-115	.0402	.7500-20UNEF-2B	.7500-24UNEF-2A	.395
10-35922-16 Y	.234	10-35924-16	10-35923-16	10-90351-117	.0508	.8750-20UNEF-2B	.8750-24UNEF-2A	.395
10-35922-13 Y	.375	10-35924-12	10-35923-13	10-90351-113	.0359	.6250-24UNEF-2B	.6250-24UNEF-2A	.536
10-35922-15 Y	.375	10-35924-14	10-35923-15	10-90351-115	.0469	.7500-20UNEF-2B	.7500-24UNEF-2A	.536
10-35922-17 Y	.375	10-35924-16	10-35923-17	10-90351-117	.0570	.8750-20UNEF-2B	.8750-24UNEF-2A	.536
10-35922-18 Y	.375	10-35924-18	10-35923-16	10-90351-119	.0734	1.0000-20UNEF-2B	1.0000-20UNEF-2A	.536
10-35922-20 Y	.375	10-35924-20	10-35923-20	10-90351-214	.1031	1.1250-18UNEF-2B	1.1875-18UNEF-2A	.630
10-35922-22 Y	.375	10-35924-22	10-35923-22	10-90351-217	.1031	1.2500-18UNEF-2B	1.1875-18UNEF-2A	.630
10-35922-24 Y	.375	10-35924-24	10-35923-24	10-90351-219	.1375	1.3750-18UNEF-2B	1.4375-18UNEF-2A	.630
10-35922-28 Y	.375	10-35924-28	10-35923-28	10-90351-222	.1375	1.6250-18UNEF-2B	1.4375-18UNEF-2A	.630
10-35922-32 Y	.375	10-35924-32	10-35923-32	10-90351-224	.1875	1.8750-16UN-2B	1.7500-18UN-2A	.630
10-35922-36 Y	.375	10-35924-36	10-35923-36	10-90351-226	.2297	2.0625-16UNS-2B	2.0000-18UNS-2A	.630
10-35922-40 Y	.375	10-35924-40	10-35923-40	10-90351-228	.2625	2.3125-16UNS-2B	2.2500-16UN-2A	.630



ENLARGED VIEW OF FORMED SECTION



10-35922-Y

3. APPLY TWO DROPS OF OIL 9-1327 TO THE SHOULDER SO INDICATED.
  2. GASKET TO BE GIVEN A THIN COAT OF LUBRICANT 9-1936 AND ASSEMBLED AFTER PLATING AND SEALING.
  1. COUPLING NUT MUST TURN FREELY AFTER FORMING OPERATION.
  4. SEE DRAWING 10-35923 COLUMN T FOR NUMBER OF HOLES PER SIZE.
- NOTES: REF SYMBOL

USE OF THIS DOCUMENT IS UNLIMITED; DOCUMENTS REFERENCED HEREON CONTAIN LIMITED RIGHTS DATA.

MATERIAL SPEC.	PROCESS SPEC. 9-1327 9-1936 BLACK ZINC ALLOY PLATE 9-9181	<b>SCINTILLA MAGNETO DIVISION</b> BENDIX AVIATION CORPORATION SIDNEY, N. Y., U. S. A.				TOLERANCES UNLESS OTHERWISE SPECIFIED DECIMALS ± .010 ANGLES ± 2°	
HEAT TREAT. SPEC.	SEE NOTE 1	NAME ELBOW AND NUT ASSEMBLY- ELECTRICAL CONNECTOR TYPE SG-90°				WEIGHT-LBS SEE COL	
TOOL ACC.	CON. REC.	D'MAN	CHECKER	DATE	APPROVER	SCALE	AND IS NOT INTERCHANGEABLE
		JED	JED	9-2-93	JED	NO SCALE	
						10-35922-Y	
						DWG SIZE C. CODE 77820	

## X-ON Electronics

Largest Supplier of Electrical and Electronic Components

*Click to view similar products for* [Circular MIL Spec Tools, Hardware & Accessories](#) *category:*

*Click to view products by* [Amphenol](#) *manufacturer:*

Other Similar products are found below :

[0113-201-2025](#) [600-079-06](#) [600-146-06](#) [M10-101983-183](#) [M10-454396-008](#) [602GB18808](#) [CS3102A-22-14PW](#) [M2887615-CD](#) [627-009](#)  
[M38999/9-19B](#) [630A007NF083A](#) [630B007M051A](#) [630BJ003NF032H](#) [637-149NF04B](#) [M39029/29-215](#) [6408-203V-09273](#) [6426-201-11343](#)  
[650FS002NF16](#) [660-008NF14S7-01](#) [660-009M22H8-03](#) [660-013NF19U6-210](#) [660-015M10S6-17](#) [660-015NF10S5-01](#) [660-015NF14R3.5-01](#)  
[660-023NF19H6-19](#) [660-024NF11S12-01](#) [660-024NF11S3-01](#) [660-024NF17S4-109](#) [660-050XM17F4-01](#) [660-068NF25R6-30G](#) [660-](#)  
[070M23S8-04](#) [660-073MTCH9-20](#) [M83723/61-18W](#) [M83723/61-218R](#) [M83723/61-224W](#) [667-084-23C](#) [667-084-35C](#) [667-224NF16](#) [687-](#)  
[697NF-1](#) [M85049/94-10-A](#) [M85049/96-7-A](#) [M855282-10A01A](#) [M85528/2-10B](#) [M855282-18A01A](#) [M85528/2-22A01A](#) [M85528/2-22AA](#)  
[710HS460NF2508](#) [780-001-22G12-SK](#) [780-002-19G12-SK](#) [780-002-20G12SK](#)