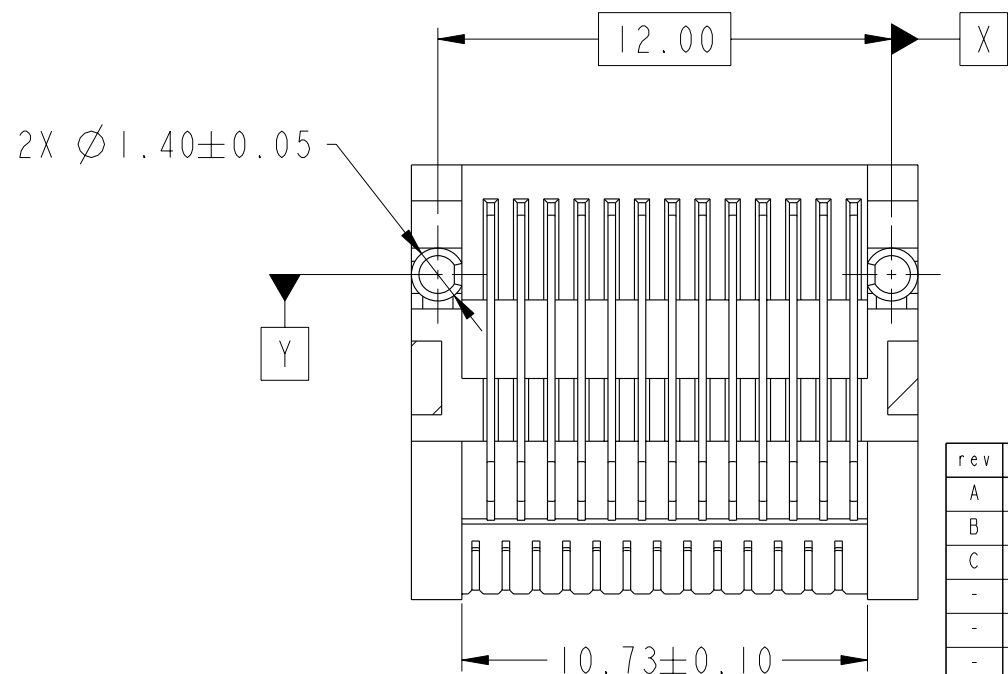
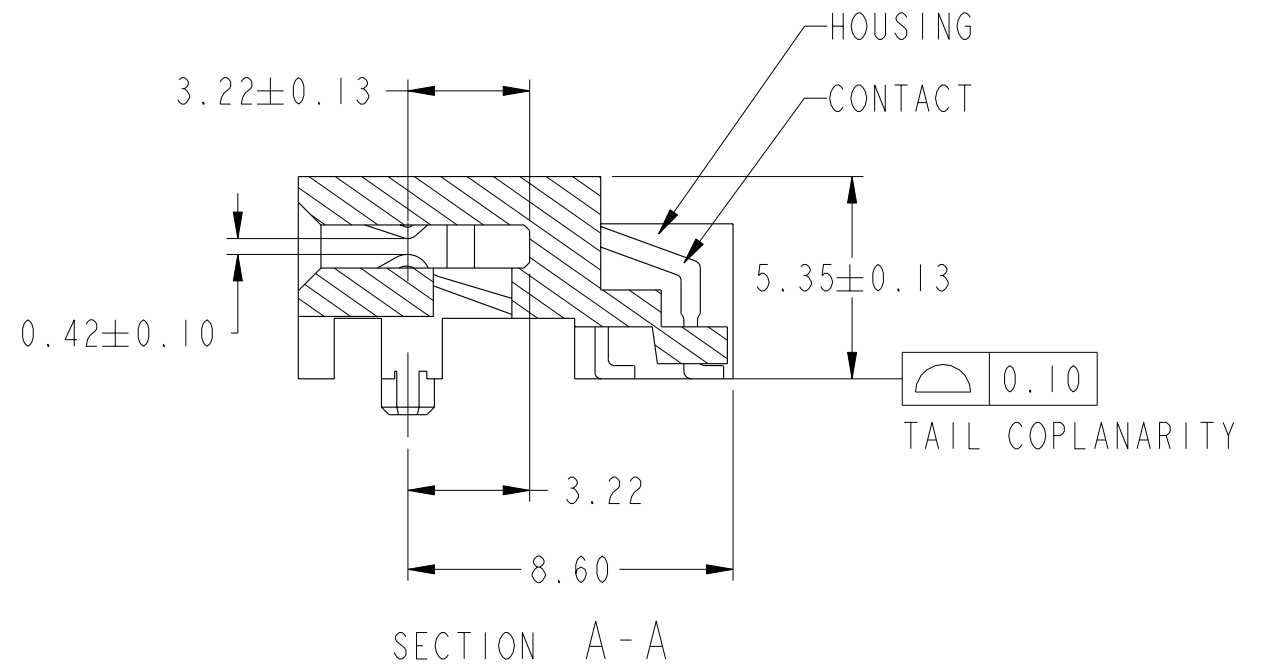
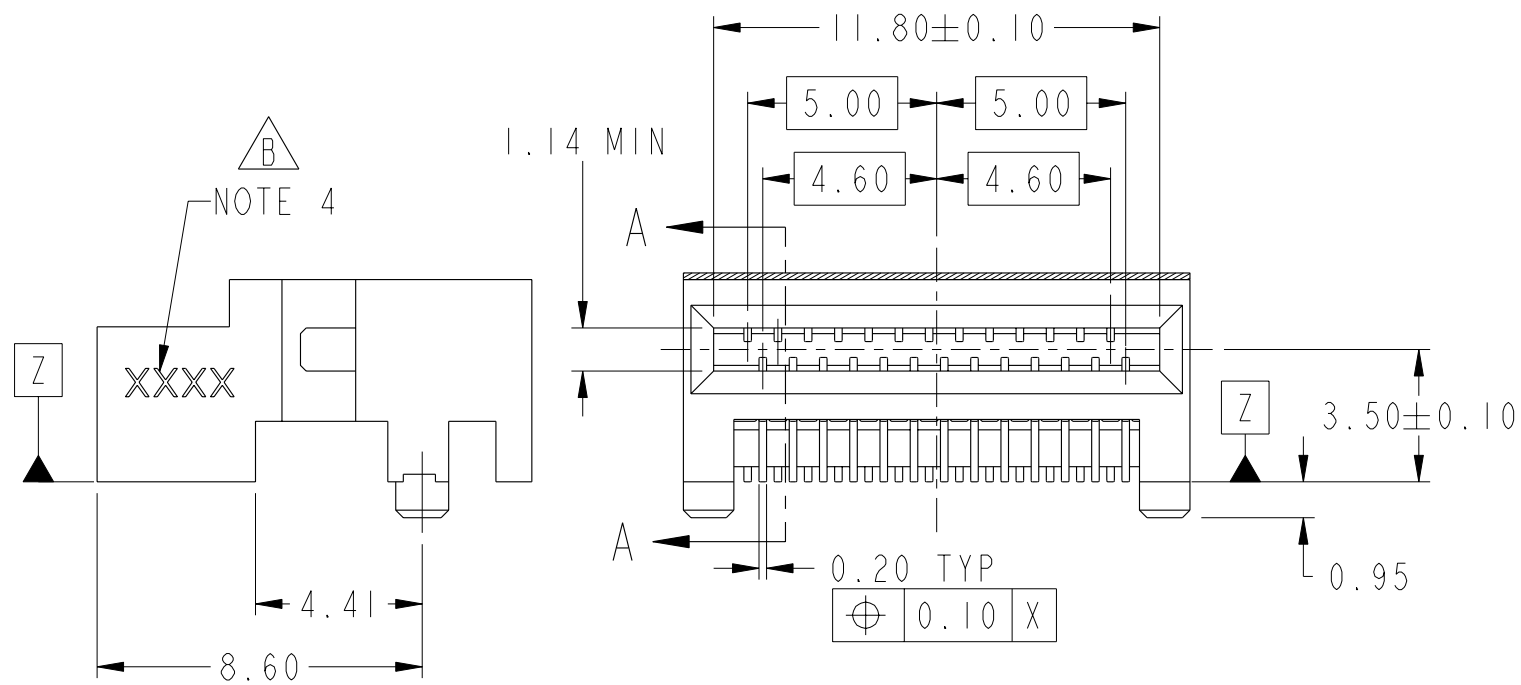
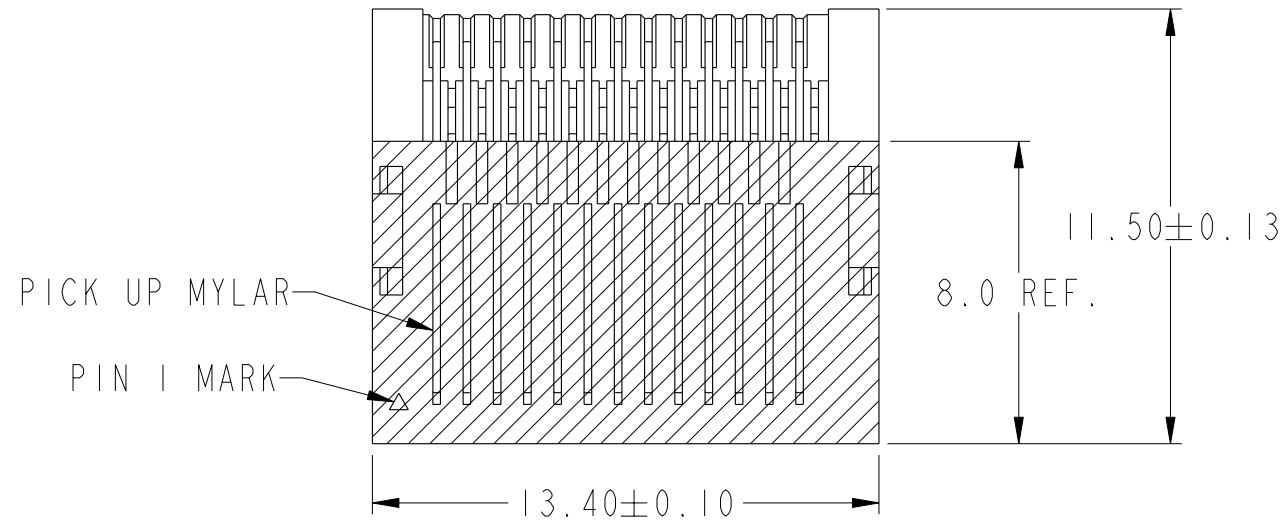
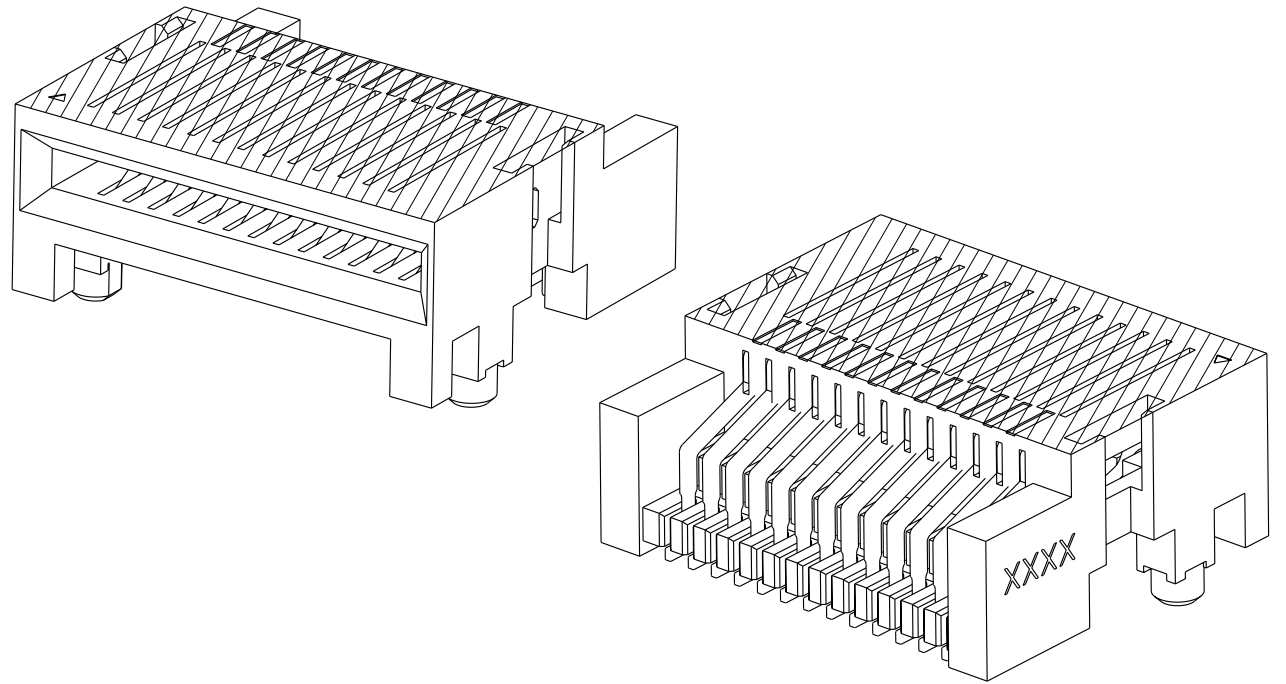


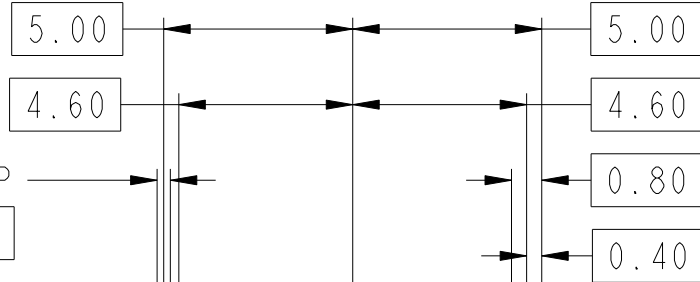
PRODUCT NUMBER	PLATING	PACKAGING TYPE
10098870-1102LF	0.76µm Au	TAPE & REEL WITH MYLAR



rev	ecn no	dr	date
A	V09-0420	RE	2009-08-20
B	V09-0508	MRG	2009-10-29
C	V09-0550	MRG	2009-11-19
-	-	-	-
-	-	-	-
-	-	-	-

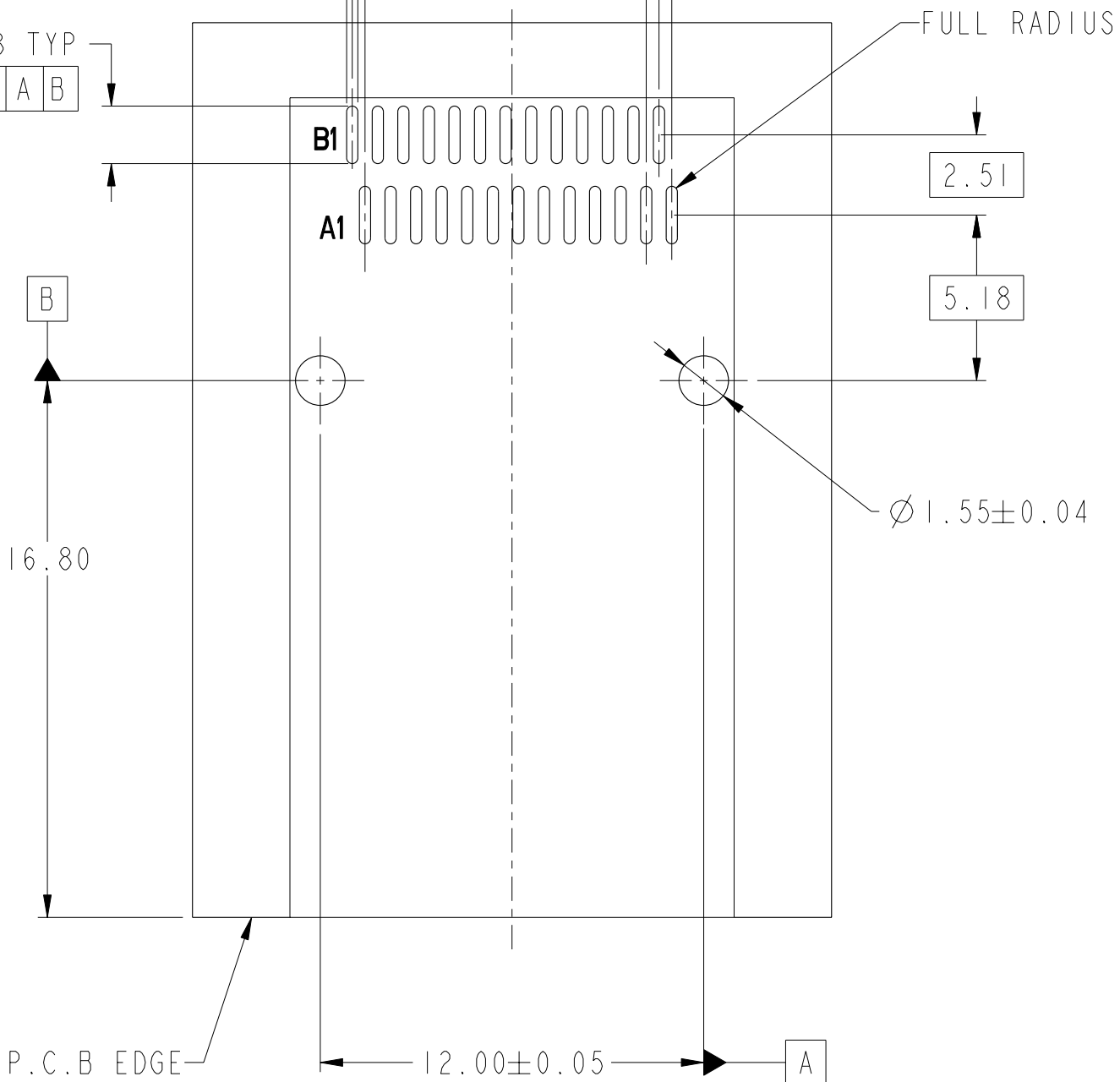
www.fciconnect.com		surface ASME Y14.5	tolerance std ASME Y14.5	projection MM
		TOLERANCES UNLESS OTHERWISE SPECIFIED		
Dr	S. MANOHARAN	2009-03-30	ANGULAR	0.X ±0.25
Eng	J. SHUEY	2009-03-30	LINEAR	0.XX ±0.13
Chr	J. SHUEY	2009-03-30	0° ±1°	0.XXX ±
Appr	J. SHUEY	2009-03-30	Product family	MINI SAS
			size	A3
			Scale	5:1
			ECN	V09-0420
			Spec ref	-
FCi		R/A SMT 0.80mm PITCH		Rev.
		MINI-SAS CONNECTOR		C
catalog no		-		
		CUSTOMER		sheet 1 of 2

PRODUCT NUMBER
10098870-1102LF



0.35±0.03 TYP
⊕ ∅0.05Ⓢ A B

1.80±0.03 TYP
⊕ ∅0.05Ⓢ A B



NOTES:

1. CONTACT MATERIAL: COPPER ALLOY
PLATING:
UNDERPLATING: NICKEL PLATING OVER ALL THICKNESS 1.27µm MIN.
CONTACT AREA: GOLD PLATING (SEE TABLE)
HOUSING MATERIAL: HIGH-TEMP THERMOPLASTIC, COLOR: BLACK
FLAME RETARDANT PER UL 94V-0

2. PRODUCT SPECIFICATION: GS-12-548

3. APPLICATION SPECIFICATION: GS-20-124

Ⓢ 4. DATE CODE PRINTED APPROXIMATELY AS SHOWN.

Ⓢ 5. PRODUCT MEETS EUROPEAN UNION DIRECTIVES AND OTHER COUNTRY REGULATIONS AS DESCRIBED IN GS-22-008.

Ⓢ 6. A Ⓢ SYMBOL WILL BE NEXT TO ANY DIMENSION, VIEW, OR NOTE WHICH HAS BEEN MODIFIED WITH THE CURRENT DRAWING REVISION.



Copyright FCI.

	TITLE R/A SMT 0.80mm PITCH MINI-SAS CONNECTOR	dwg no 10098870	Rev. C
	catalog no -	CUSTOMER	sheet 2 of 2

X-ON Electronics

Largest Supplier of Electrical and Electronic Components

Click to view similar products for [I/O Connectors](#) category:

Click to view products by [Amphenol](#) manufacturer:

Other Similar products are found below :

[571763P](#) [58098-0628](#) [72.250.1628.2](#) [72.250.2428.2](#) [74720-0505](#) [76.350.0729.0](#) [76871-1403](#) [FCN-244F080-G/1](#) [FCN-260A9920](#) [PCR-E36PM](#) [PCS-XE26MA+](#) [G38A71314B](#) [1571250010](#) [157-22500-3](#) [MS3471L14-19P L/C](#) [192991-0703](#) [172501-4002](#) [172501-6002](#) [FCN-260C008-A/L0](#) [FCN-260C024-AL0](#) [FCN-261Z008](#) [2000314-1](#) [200331-1](#) [PCR-E36FC+](#) [PCS-E28FS+](#) [PCS-XE26SLFD+](#) [PCS-XE26SLFDT+](#) [G730VID08BDC24](#) [HDR-E14MSG1+](#) [U90B2054081210](#) [UE86K842720321](#) [38113800006](#) [DP3AR020WQ1R200](#) [Z4.102.0680.0](#) [500-1040](#) [500-1052](#) [500-1054](#) [ZP-4008-66L](#) [0709821002](#) [DX40-20P\(55\)](#) [5554841-1](#) [MS3474W18-8P-LC*](#) [SM3106F14S-7S-LC](#) [U90B3054061110](#) [U65-E04-4020](#) [ZPF000000000097891](#) [557-262M2-06C](#) [747360449](#) [10099439-003C-TRLF](#) [10137239-0021LF](#)