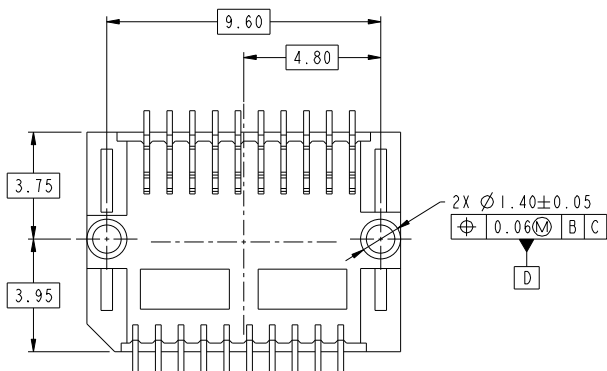
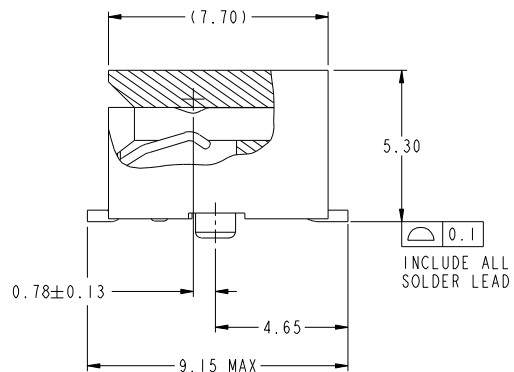
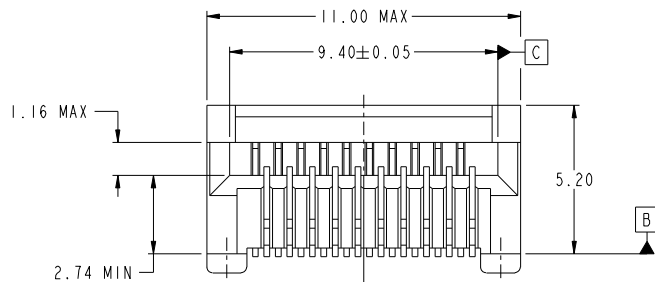
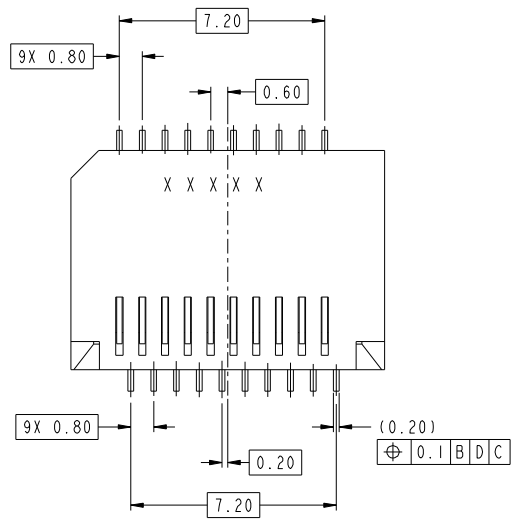
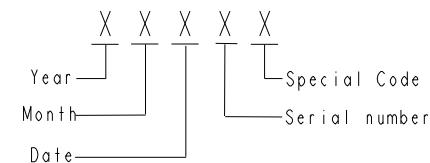


PRODUCT NUMBER	CONTACT AREA PLATING	PACKAGING
10099099-111LF	0.76µm Au	TAPE AND REEL



NOTES:

- MATERIAL:  
HOUSING: THERMOPLASTIC, BLACK, UL 94V-0.  
CONTACT: PHOSPHOR BRONZE.
- PLATING:  
UNDERPLATE: 1.27µm MIN NICKEL OVER ALL  
SOLDER AREA: 3.81µm MIN TIN(LEAD FREE)  
MATING AREA: SEE PRODUCT NUMBER TABLE.
- DESIGNED TO CONFORM WITH SFP+ MSA SPECIFICATION.
- PRODUCT SPECIFICATION: GS-12-616
- APPLICATION SPECIFICATION: GS-20-125
- PRODUCT MEETS EUROPEAN UNION DIRECTIVES AND OTHER COUNTRY REGULATIONS AS DESCRIBED IN GS-22-008.
- DATE CODE BE PRINTED ON PROPER SURFACE.



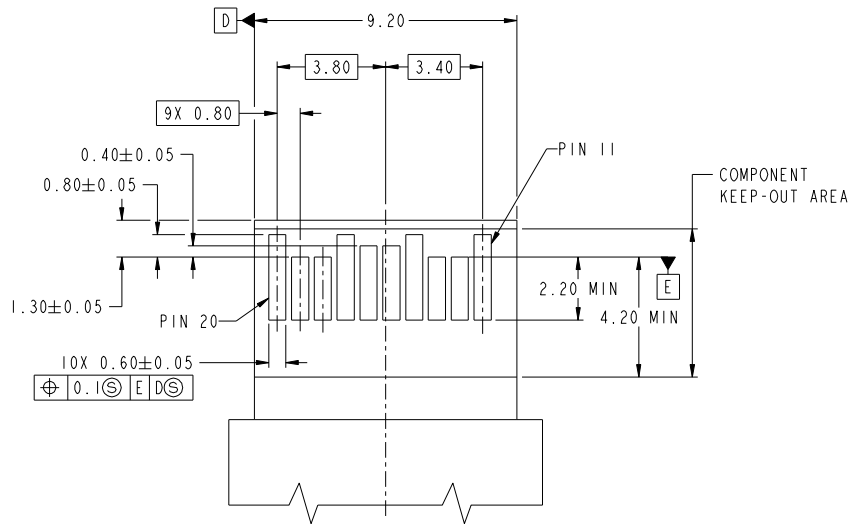
DATE CODE DESCRIPTION

Copyright FCI.

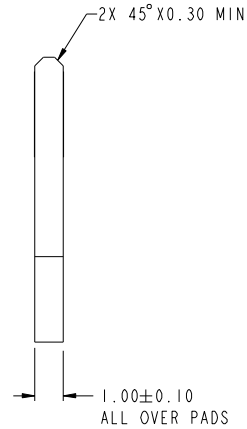
rev	ecr no	dr	date
A	V09-0442	SM	2009-12-07
B	N10-0376	ANDY	2010-11-23
-	-	-	-
-	-	-	-
-	-	-	-

www.fciconnect.com		surface	tolerance std	projection	MM
		ASME Y14.5	ASME Y14.5		
		TOLERANCES UNLESS OTHERWISE SPECIFIED			
Dr	S. MANI	2009-04-08	ANGULAR	0.x	±0.2
Eng	M. GRAY	2009-05-21	LINEAR	0.xx	±0.15
Chr	M. GRAY	2009-05-21	0°	0.xxx	±
Appr	M. GRAY	2009-05-21	Product family		SFP+
			Spec ref		RELEASE
FCI		SPP+ 20 POSITION		size	A2
		STANDARD TYPE		Scale	1:1
catalog no				ECN	N10-0376
				Rev.	B
				Customer	10099099
				Sheet	1 of 3

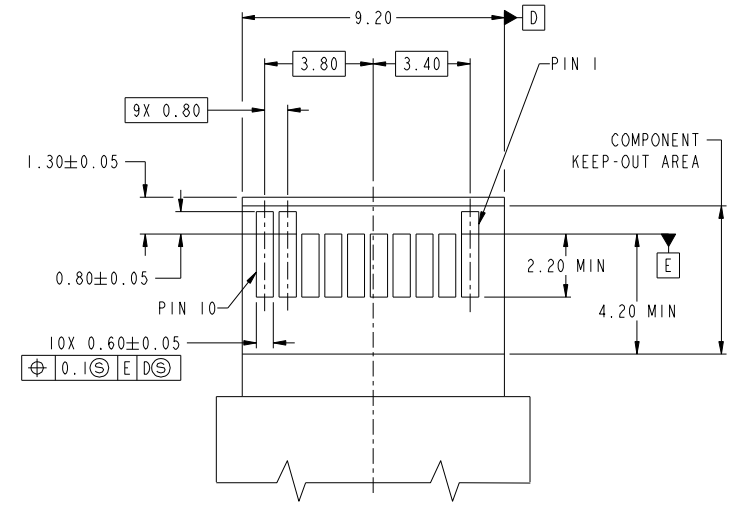
PRODUCT NUMBER  
10099099-111LF



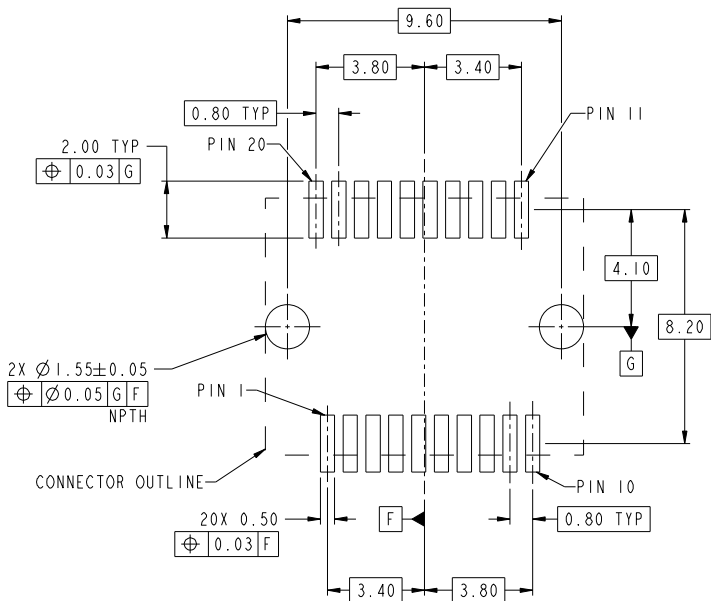
TOP VIEW OF BOARD



RECOMMENDED MATING PCB CONFIGURATION



BOTTOM VIEW OF BOARD

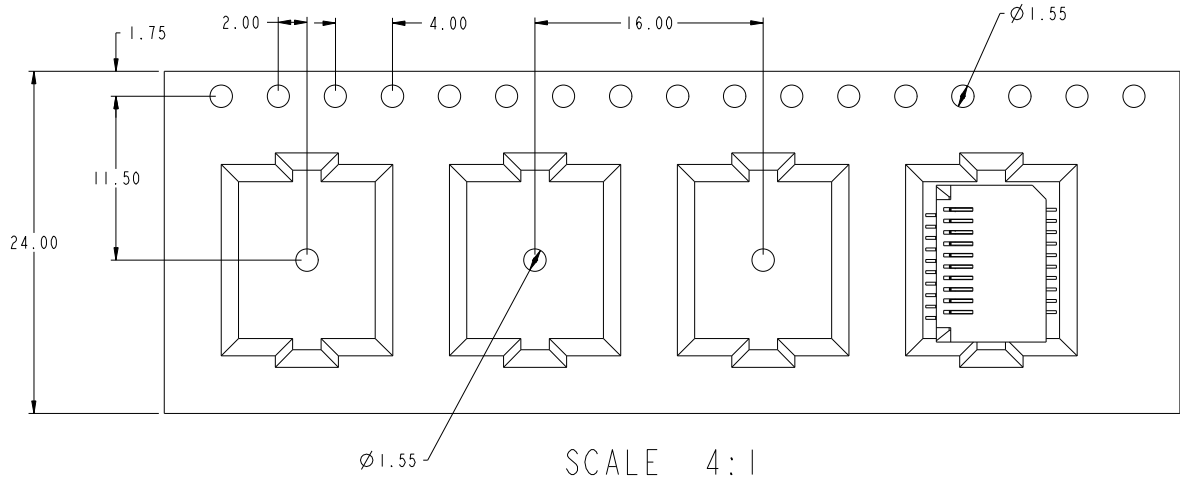


RECOMMENDED PCB CONFIGURATION

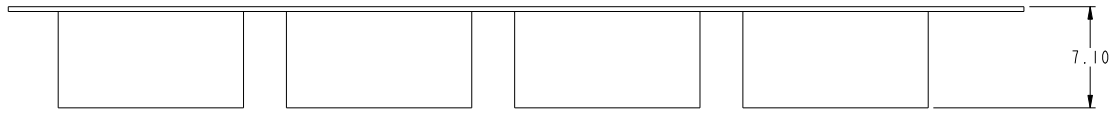
Copyright FCI.  
FCI

www.fciconnect.com		surface ASME Y14.5	tolerance std ASME Y14.5	projection	MM
		TOLERANCES UNLESS OTHERWISE SPECIFIED			
Dr	S. MANI	2009-04-08	ANGULAR	0.x	±0.2
Eng	M. GRAY	2009-05-21	LINEAR	0.xx	±0.15
Chr	M. GRAY	2009-05-21	0°	0.xxx	±
Appr	M. GRAY	2009-05-21	Product family	SFP+	Spec ref
FCI		SFP+ 20 POSITION		size	A2
STANDARD TYPE				Scale	1:1
catalog no				ECN	N10-0376
				RELEASE	
				10099099	Rev.
				CUSTOMER	B
				sheet 2 of 3	

# TAPE-ON-REEL PACKAGING TYPE



UN-REELING DIRECTION OF FEED 



Copyright FCI. FCI

www.fciconnect.com		surface ASME Y14.5	tolerance std ASME Y14.5	projection ASME Y14.5	MM
TOLERANCES UNLESS OTHERWISE SPECIFIED					
Dr	S. MANI	2009-04-08	ANGULAR	0.x ±0.2	size A2 Scale 1:1
Eng	M. GRAY	2009-05-21	LINEAR	0.xx ±0.15	
Chr	M. GRAY	2009-05-21	0° ±1"	0.xxx ±	ECN N10-0376
Appr	M. GRAY	2009-05-21	Product family	SFP+	Spec ref RELEASE
FCI		TITLE SPP+ 20 POSITION		diag no 10099099	Rev. B
		STANDARD TYPE		CUSTOMER	sheet 3 of 3
		catalog no			

## X-ON Electronics

Largest Supplier of Electrical and Electronic Components

*Click to view similar products for [I/O Connectors](#) category:*

*Click to view products by [Amphenol](#) manufacturer:*

Other Similar products are found below :

[571763P](#) [58098-0628](#) [72.250.1628.2](#) [72.250.2428.2](#) [74720-0505](#) [76.350.0729.0](#) [76871-1403](#) [FCN-244F080-G/1](#) [FCN-260A9920](#) [PCR-E36PM](#) [PCS-XE26MA+](#) [G38A71314B](#) [1571250010](#) [157-22500-3](#) [MS3471L14-19P L/C](#) [192991-0703](#) [172501-4002](#) [172501-6002](#) [FCN-260C008-A/L0](#) [FCN-260C024-AL0](#) [FCN-261Z008](#) [2000314-1](#) [200331-1](#) [PCR-E36FC+](#) [PCS-E28FS+](#) [PCS-XE26SLFD+](#) [PCS-XE26SLFDT+](#) [G730VID08BDC24](#) [HDR-E14MSG1+](#) [U90B2054081210](#) [UE86K842720321](#) [38113800006](#) [DP3AR020WQ1R200](#) [Z4.102.0680.0](#) [500-1040](#) [500-1052](#) [500-1054](#) [ZP-4008-66L](#) [0709821002](#) [DX40-20P\(55\)](#) [5554841-1](#) [MS3474W18-8P-LC\\*](#) [SM3106F14S-7S-LC](#) [U90B3054061110](#) [U65-E04-4020](#) [ZPF000000000097891](#) [557-262M2-06C](#) [747360449](#) [10099439-003C-TRLF](#) [10137239-0021LF](#)