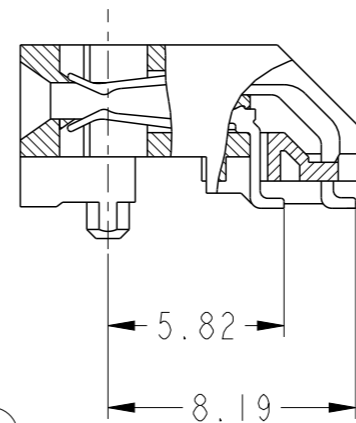
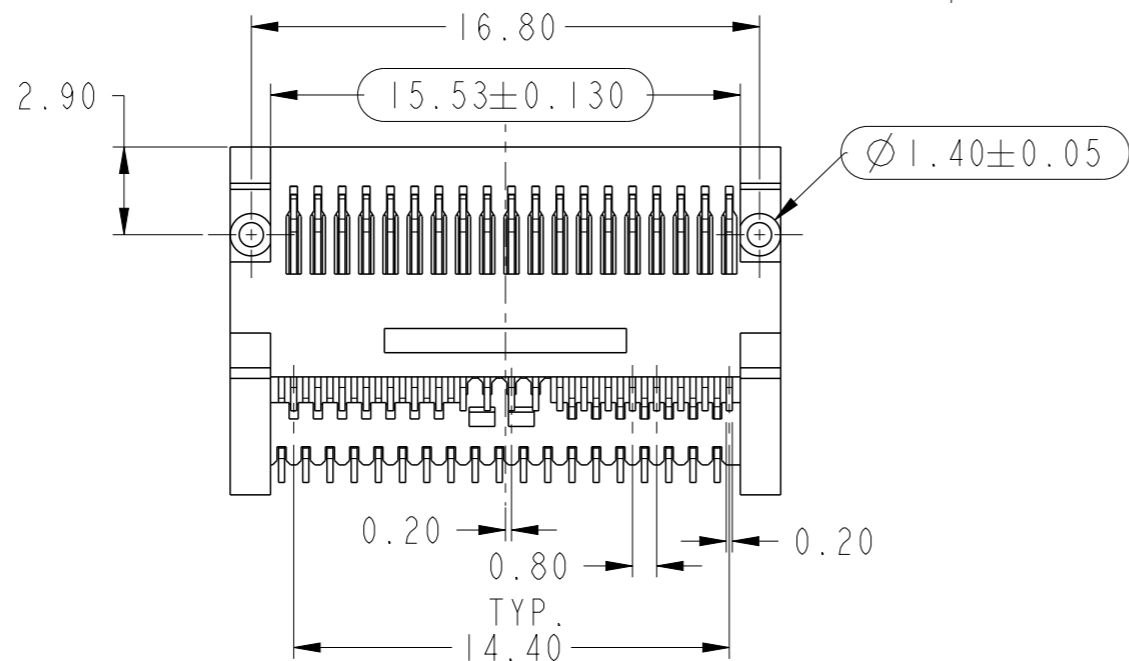
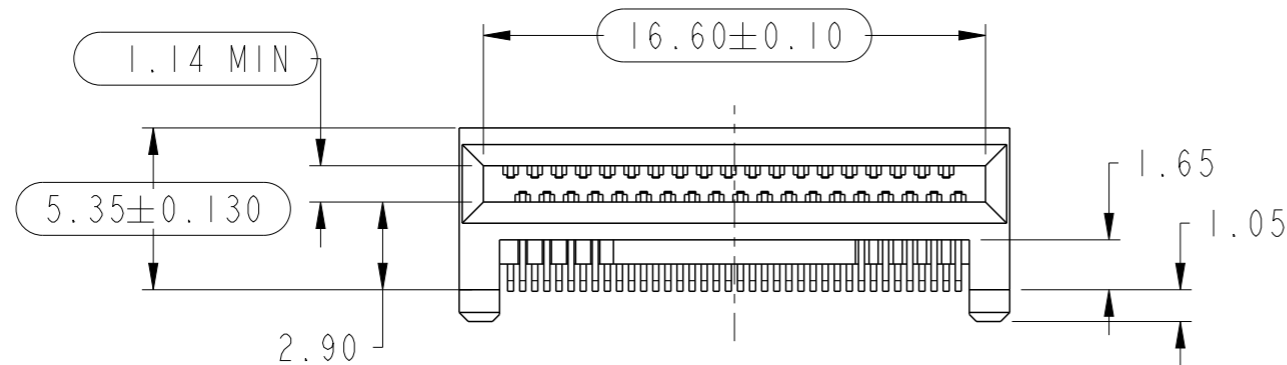
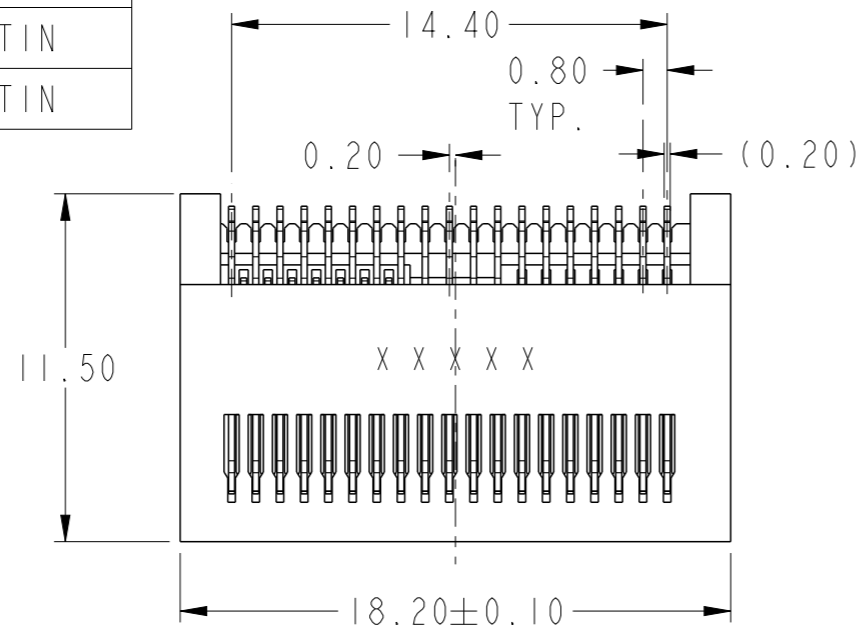


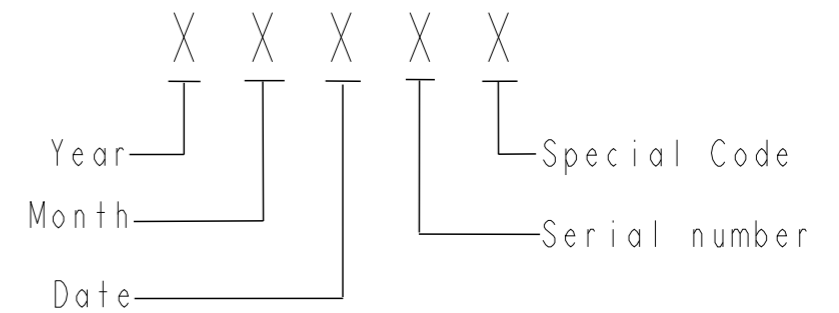
PART NUMBER	PLATING
10099113-101LF	SATIN TIN
10099113-102LF	MATTE TIN

NOTES:

- MATERIAL:
HOUSING: THERMOPLASTIC GLASS FILLED.
SPACER: THERMOPLASTIC GLASS FILLED.
CONTACT: COPPER ALLOY
- PLATING:
CONTACT AREA: 0.76um Au OVER 2.54um MIN. NICKEL.
SOLDER AREA: 2.54um MIN. TIN OVER 2.54um MIN. NICKEL.
- PRODUCT SPECIFICATION: GS-12-622
- APPLICATION SPECIFICATION: GS-20-126
- PRODUCT MEETS EUROPEAN UNION DIRECTIVES AND OTHER COUNTRY REGULATIONS AS DESCRIBED IN GS-22-008.
- DATE CODE BE PRINTED ON PROPER SURFACE.



INCLUDE ALL SOLDER CONTACT

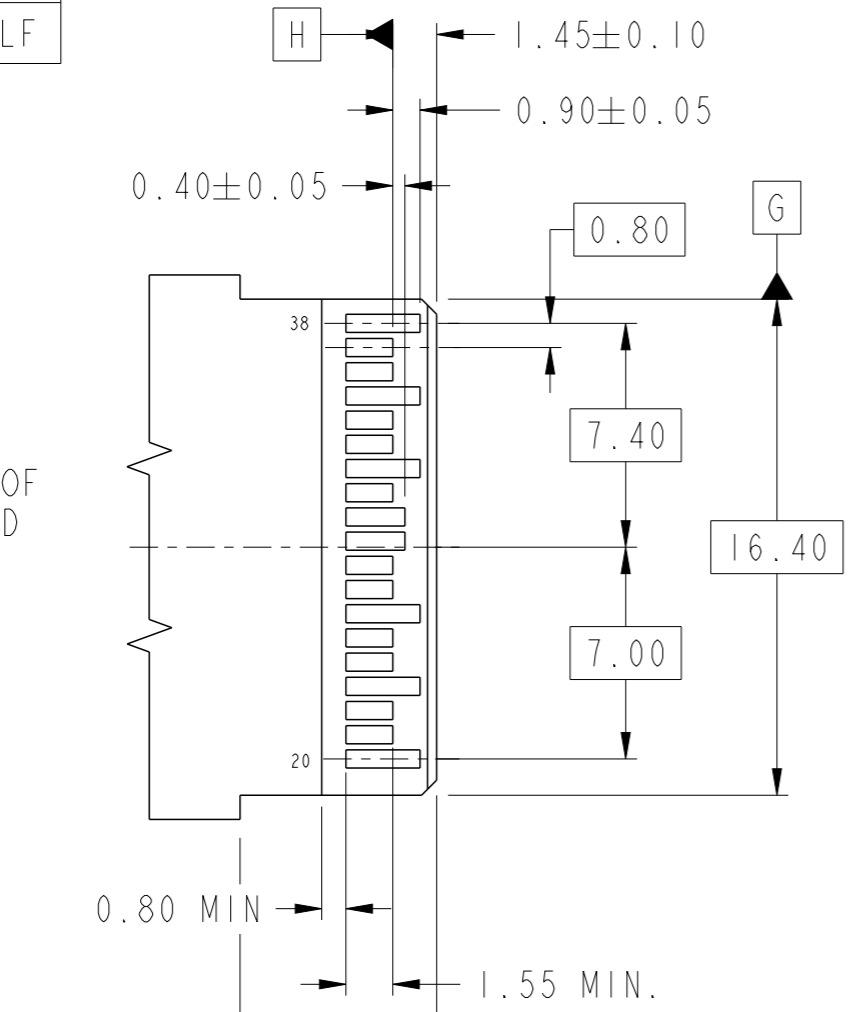


DATE CODE DESCRIPTION

spec ref	-	dr	Andy Zhang	2010/11/03	projection	MM	size	A3	scale	4:1
tolerance std	ASME Y14.5	eng	Andy Zhang	2012/04/27			ecn no	ELX-N-011478-1		
	TOLERANCES UNLESS OTHERWISE SPECIFIED	chr	-	rel level			Released			
surface	✓	appr	Rick Bian	2012/04/27	product family	-	rel level	Released		
	ASME Y14.5	linear	0.X	±0.10		QSFP 38POS CONNECTOR QSFP BOARD CONNECTOR	dwg no 10099113	rev		
			0.XX	±0.05				F		
		angular	0°	±2°				www.fci.com		
		cat. no.	-		Product - Customer Drw		sheet 1 of 2			

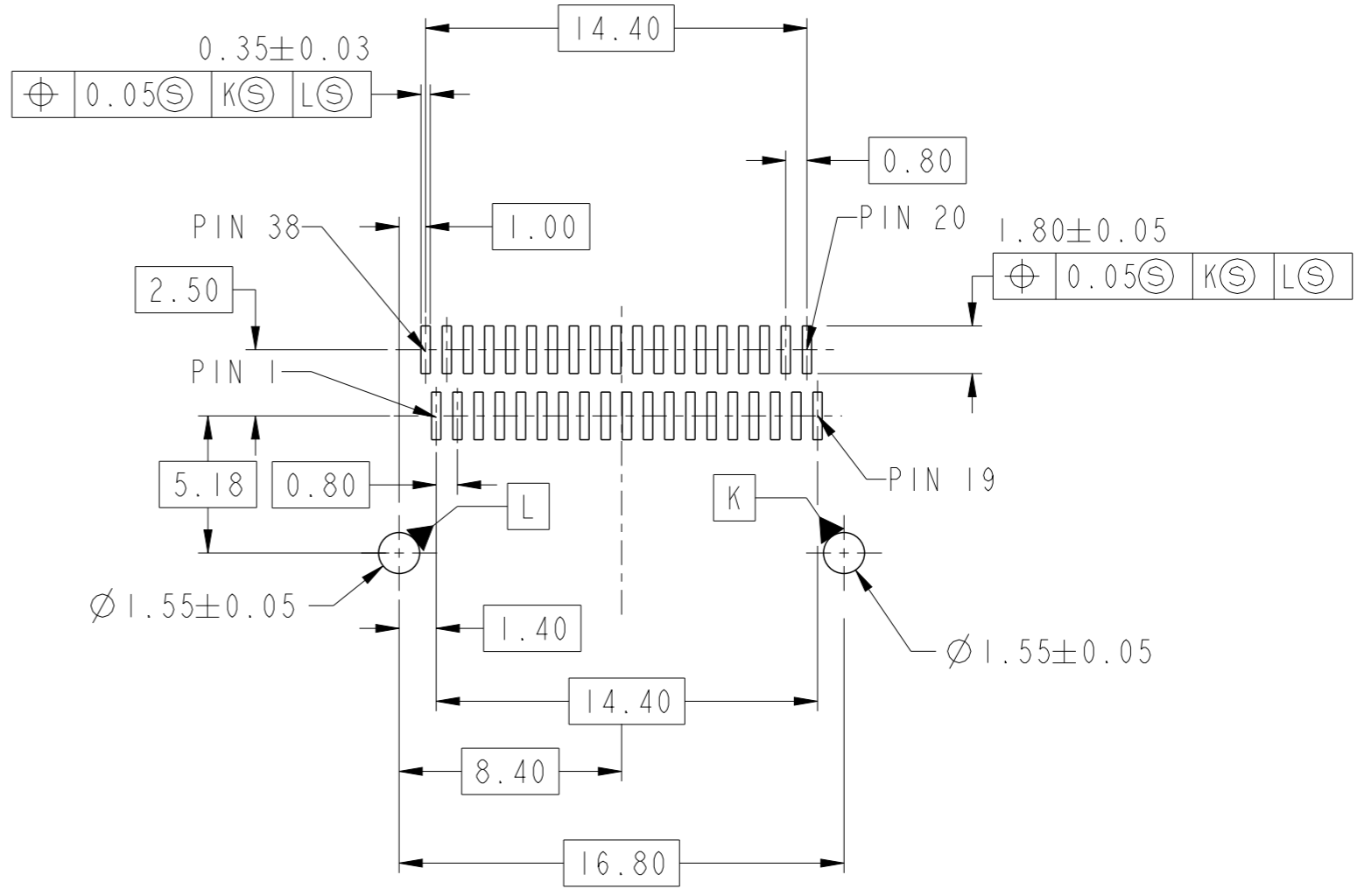
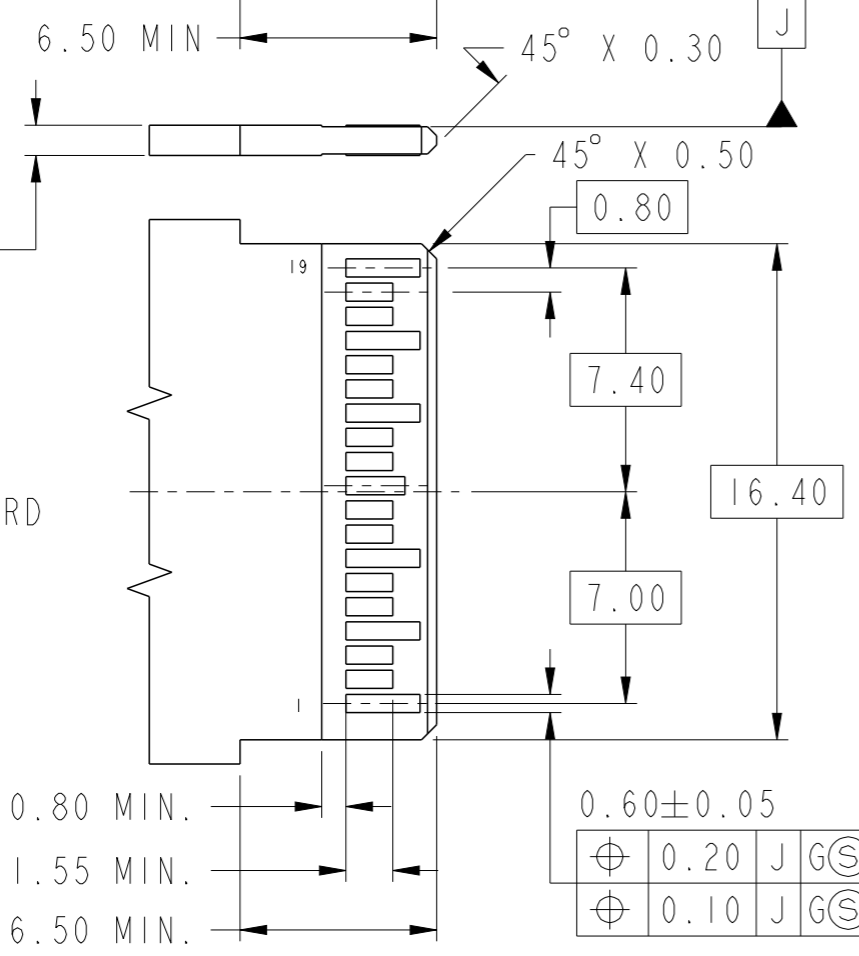
PART NUMBER
10099113-101LF

TOP VIEW OF
PLUG BOARD



1.00±0.10
OVER PAD

BOTTOM VIEW
OF PLUG BOARD



RECOMMENDED PCB LAYOUT
(COMPONENT SIDE)

dr	Andy Zhang	2010/11/03	projection	MM	size	A3	scale	4:1
eng	Andy Zhang	2012/04/27			ecn no			
chr	-	-			ELX-N-011478-1			
appr	Rick Bian	2012/04/27	product family		rel level			
			QSFP 38POS CONNECTOR QSFP BOARD CONNECTOR			dwg no 10099113		rev F
www.fci.com			cat. no.		-		Product - Customer Drw	

Copyright FCI.
FCI

X-ON Electronics

Largest Supplier of Electrical and Electronic Components

Click to view similar products for [I/O Connectors](#) category:

Click to view products by [Amphenol](#) manufacturer:

Other Similar products are found below :

[571763P](#) [58098-0628](#) [72.250.1628.2](#) [72.250.2428.2](#) [74720-0505](#) [76.350.0729.0](#) [76871-1403](#) [FCN-244F080-G/1](#) [FCN-260A9920](#) [PCR-E36PM](#) [PCS-XE26MA+](#) [G38A71314B](#) [1571250010](#) [157-22500-3](#) [MS3471L14-19P L/C](#) [192991-0703](#) [172501-4002](#) [172501-6002](#) [FCN-260C008-A/L0](#) [FCN-260C024-AL0](#) [FCN-261Z008](#) [2000314-1](#) [200331-1](#) [PCR-E36FC+](#) [PCS-E28FS+](#) [PCS-XE26SLFD+](#) [PCS-XE26SLFDT+](#) [G730VID08BDC24](#) [HDR-E14MSG1+](#) [U90B2054081210](#) [UE86K842720321](#) [38113800006](#) [DP3AR020WQ1R200](#) [Z4.102.0680.0](#) [500-1040](#) [500-1052](#) [500-1054](#) [ZP-4008-66L](#) [0709821002](#) [DX40-20P\(55\)](#) [5554841-1](#) [MS3474W18-8P-LC*](#) [SM3106F14S-7S-LC](#) [U90B3054061110](#) [U65-E04-4020](#) [ZPF000000000097891](#) [557-262M2-06C](#) [747360449](#) [10099439-003C-TRLF](#) [10137239-0021LF](#)