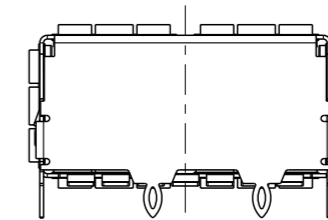
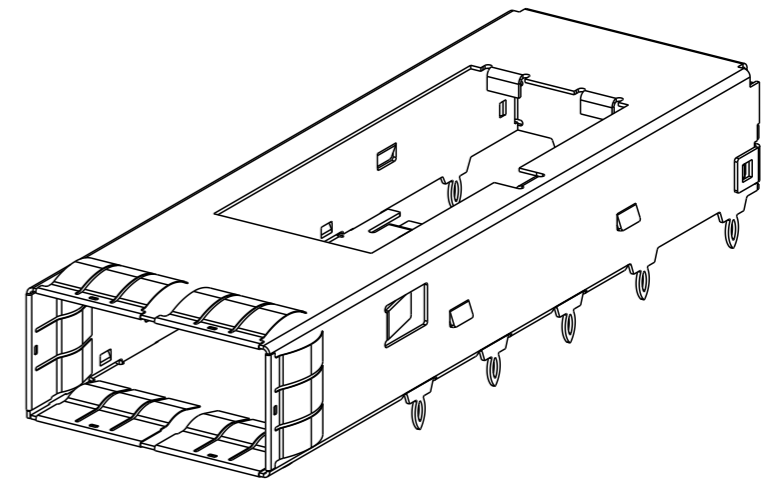
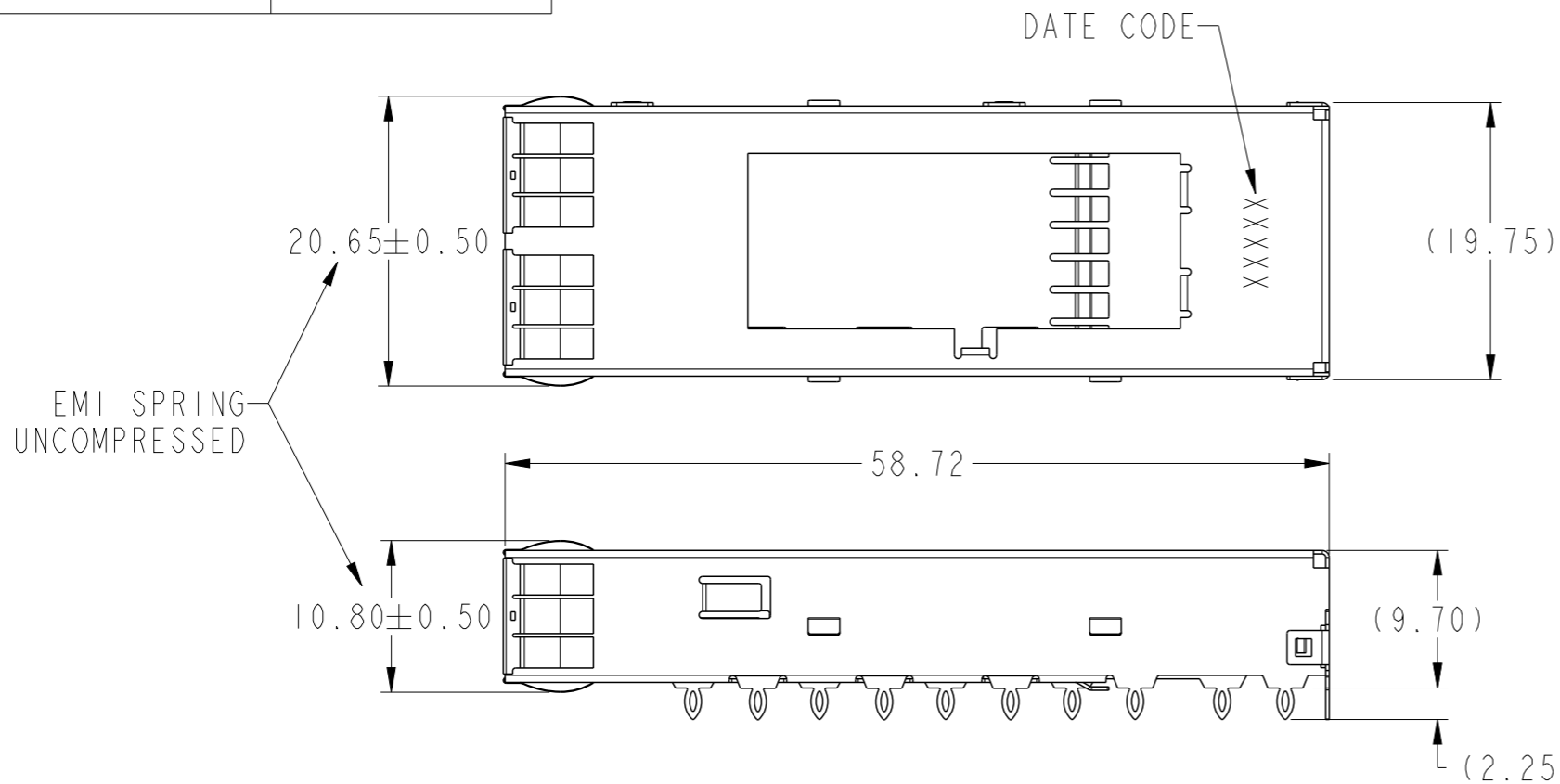
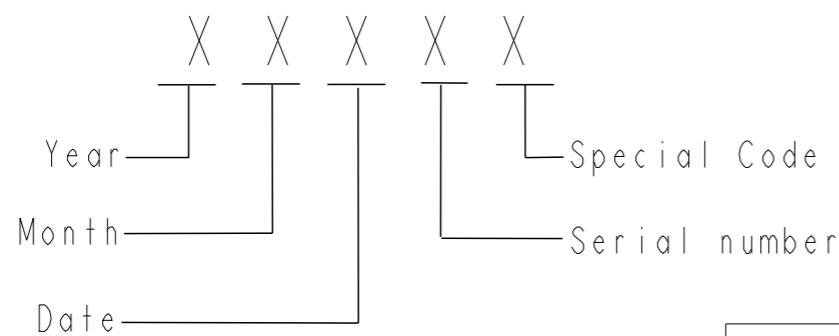


PART NUMBER	PACKAGING
10099114-001LF	TRAY



NOTES:

- MATERIAL AND PLATING:
CAGE BODY: COPPER ALLOY, 50u"MIN NICKEL PLATING
EMI SPRING: COPPER ALLOY, 50u"MIN NI PLATING, 100u" TIN PLATING.
- MATES WITH QSFP-MSA COMPLIANT TRANSCEIVER.
- PRODUCT SPECIFICATION: GS-12-622
- APPLICATION SPECIFICATION GS-20-126.
- PRODUCT MEETS EUROPEAN UNION DIRECTIVES AND OTHER COUNTRY REGULATIONS AS DESCRIBED IN GS-22-008.
- DATE CODE BE PRINTED ON PROPER SURFACE.
- QSFP CAGE, HEATSINK AND CLIP SEPERATION OR ASSEMBLY TO BE OPTIONAL.



DATE CODE DESCRIPTION

spec ref	RELEASE	dr	Andy Zhang	2010/11/03	projection	mm	size	A3	scale	1:1
tolerance std	ASME Y14.5	eng	Art Lin	2015/05/22			ecn no	ELX-DG-20151-1	rel level	Released
	TOLERANCES UNLESS OTHERWISE SPECIFIED	chr	-	-						
surface	linear	appr	Pei-Ming Zheng	2015/05/24			cat. no.	-	Product - Customer Drw	sheet 1 of 4
	ASME Y14.5				linear	0.X ±0.50	title	QSPF CAGE	dwg no	10099114
						0.XX ±0.25		QSPF BOARD CONNECTOR	rev	F
					angular	0° ±2°	www.fci.com			



Copyright FCI.

PART NUMBER
10099114-001LF

THIS AREA DENOTES
COMPONENT KEEP-OUT
(TRACES ALLOWED)

$\varnothing 1.05 \pm 0.05$ TYP.
 $\varnothing 0.10$ M A K L

C OF -K- & -L-

$\varnothing 1.55$
L

SEE QSFP CONNECTOR DRAWING FOR
CONNECTOR LAYOUT

22.15 MIN.

19.0

3.4

7.2

19.2 MAX.

16.8

9.0

9.0

9.0

3.1

5.44 MAX.

7.6

$\varnothing 1.55$
K

6.94 MIN.

10.6

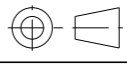
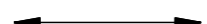

11.3 MIN.

CROSS-HATCHED AREA DENOTES
COMPONENT AND TRACE KEEP-OUT
(EXCEPT CHASIS GROUND)

AREA DENOTES OPTIONAL EMI
GROUNDING PAD (MUST BE
CONNECTED TO CHASIS GROUND)

PCB LAYOUT FOR ONE SIDED APPLICATION

Copyright FCI.

spec ref	RELEASE	dr	Andy Zhang	2010/11/03	projection	mm	size	A3	scale	1:1		
tolerance std	ASME Y14.5	eng	Art Lin	2015/05/22			ecn no	ELX-DG-20151-1				
	TOLERANCES UNLESS OTHERWISE SPECIFIED	chr	-	apppr				Pei-Ming Zheng	2015/05/24	product family	QSFP	rel level
surface	✓	linear	0.X	±0.50		title QSPF CAGE QSFP BOARD CONNECTOR	dwg no 10099114	rev F	ASME Y14.5			
			0.XX	±0.25					ASME Y14.5		angular	
			0.XXX	±					angular		0° ±2°	
www.fci.com		cat. no.		-		Product - Customer Drw		sheet 2 of 4				

PART NUMBER
10099114-001LF

THIS AREA DENOTES
COMPONENT KEEP-OUT
(TRACES ALLOWED)

$\varnothing 1.05 \pm 0.05$ TYP.
 $\varnothing 0.10$ A K L

$\varnothing 1.55$
L

SEE QSFP CONNECTOR DRAWING FOR
CONNECTOR LAYOUT

22.15 MIN.

19.0

3.4

6.2

7.2

16.8

7.2

19.2 MAX.

CROSS-HATCHED AREA DENOTES
COMPONENT AND TRACE KEEP-OUT
(EXCEPT CHASIS GROUND)

AREA DENOTES OPTIONAL EMI
GROUNDING PAD (MUST BE
CONNECTED TO CHASIS GROUND)

5.44 MAX.

6.94 MIN.

3.1

7.6

10.6

$\varnothing 1.55$
K

11.3 MIN.

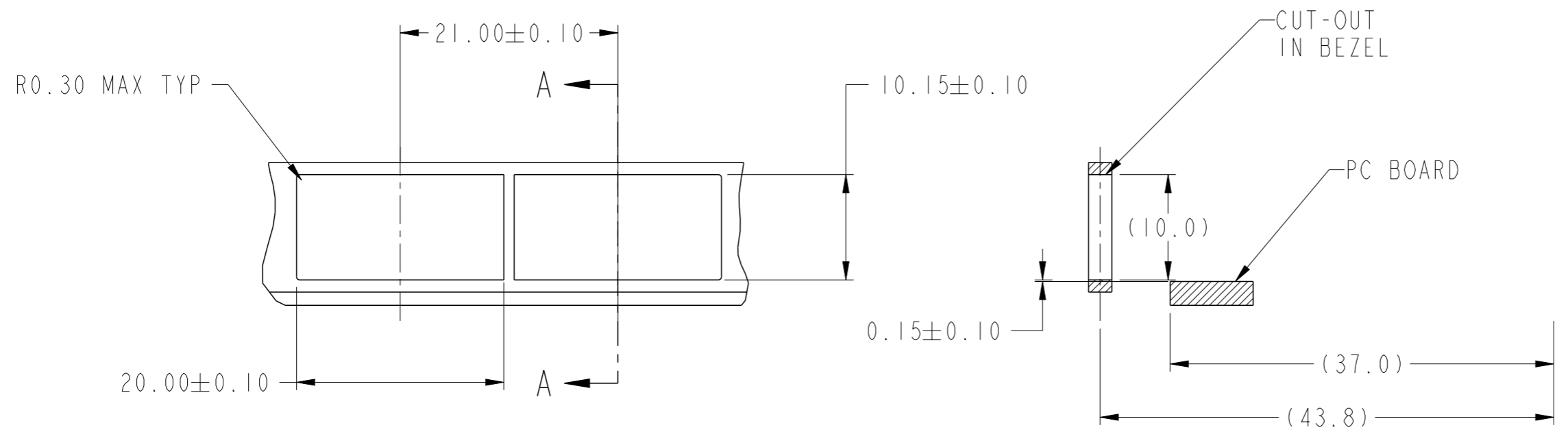
PCB LAYOUT FOR BELLY TO BELLY APPLICATION

spec ref	RELEASE	dr	Andy Zhang	2010/11/03	projection	mm	size	A3	scale	1:1
tolerance std	ASME Y14.5	eng	Art Lin	2015/05/22			ecn no	ELX-DG-20151-1		
	TOLERANCES UNLESS OTHERWISE SPECIFIED	chr	-						rel level	Released
surface	linear	appr	Pei-Ming Zheng	2015/05/24	product family		QSFP		rel level	Released
	angular				title		QSPF CAGE		dwg no	10099114
					www.fci.com		QSPF BOARD CONNECTOR		rev	F
					cat. no.	-	Product - Customer Drw		sheet 3 of 4	



Copyright FCI.

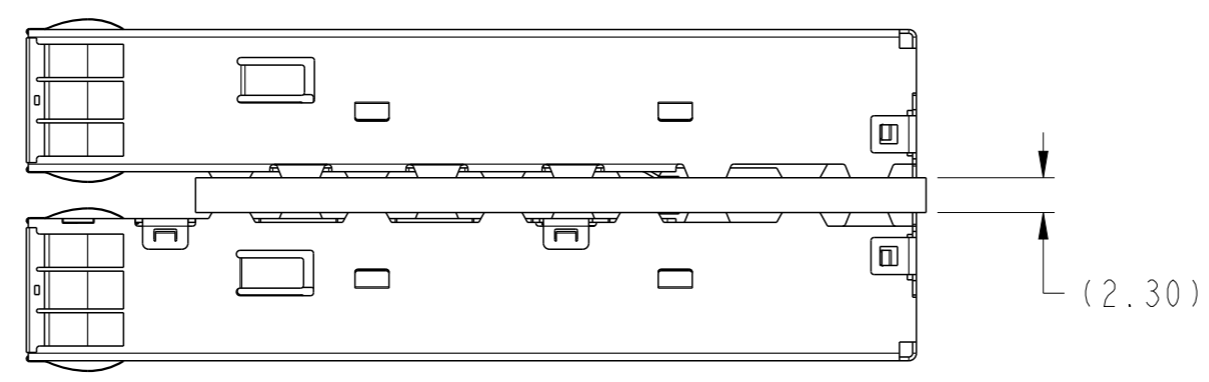
PART NUMBER
10099114-001LF



RECOMMENDED BEZEL DESIGN

SECTION A-A

FROM ϕ BEZEL
TO -K- & -L-



BEZEL CUTOUT LOCATIONS FOR BELLY TO BELLY APPLICATIONS ARE DEPENDENT ON PCB THICKNESS



Copyright FCI.

spec ref	RELEASE	dr	Andy Zhang	2010/11/03	projection	mm	size	A3	scale	1:1
tolerance std	ASME Y14.5	eng	Art Lin	2015/05/22			ecn no	ELX-DG-20151-1		
	TOLERANCES UNLESS OTHERWISE SPECIFIED	chr	-	rel level				Released		
surface	✓	appr	Pei-Ming Zheng	2015/05/24	product family	QSFP	rel level	Released		
	linear	0.X	±0.50		QSPF CAGE QSPF BOARD CONNECTOR			dwg no 10099114	rev F	
		0.XX	±0.25							
		0.XXX	±							
	angular	0°	±2°	www.fci.com	cat. no.	-	Product - Customer Drw	sheet 4 of 4		

X-ON Electronics

Largest Supplier of Electrical and Electronic Components

Click to view similar products for [I/O Connectors](#) category:

Click to view products by [Amphenol](#) manufacturer:

Other Similar products are found below :

[571763P](#) [58098-0628](#) [72.250.1628.2](#) [72.250.2428.2](#) [74720-0505](#) [76.350.0729.0](#) [76871-1403](#) [FCN-244F080-G/1](#) [FCN-260A9920](#) [PCR-E36PM](#) [PCS-XE26MA+](#) [G38A71314B](#) [1571250010](#) [157-22500-3](#) [MS3471L14-19P L/C](#) [192991-0703](#) [172501-4002](#) [172501-6002](#) [FCN-260C008-A/L0](#) [FCN-260C024-AL0](#) [FCN-261Z008](#) [2000314-1](#) [200331-1](#) [PCR-E36FC+](#) [PCS-E28FS+](#) [PCS-XE26SLFD+](#) [PCS-XE26SLFDT+](#) [G730VID08BDC24](#) [HDR-E14MSG1+](#) [U90B2054081210](#) [UE86K842720321](#) [38113800006](#) [DP3AR020WQ1R200](#) [Z4.102.0680.0](#) [500-1040](#) [500-1052](#) [500-1054](#) [ZP-4008-66L](#) [0709821002](#) [DX40-20P\(55\)](#) [5554841-1](#) [MS3474W18-8P-LC*](#) [SM3106F14S-7S-LC](#) [U90B3054061110](#) [U65-E04-4020](#) [ZPF000000000097891](#) [557-262M2-06C](#) [747360449](#) [10099439-003C-TRLF](#) [10137239-0021LF](#)