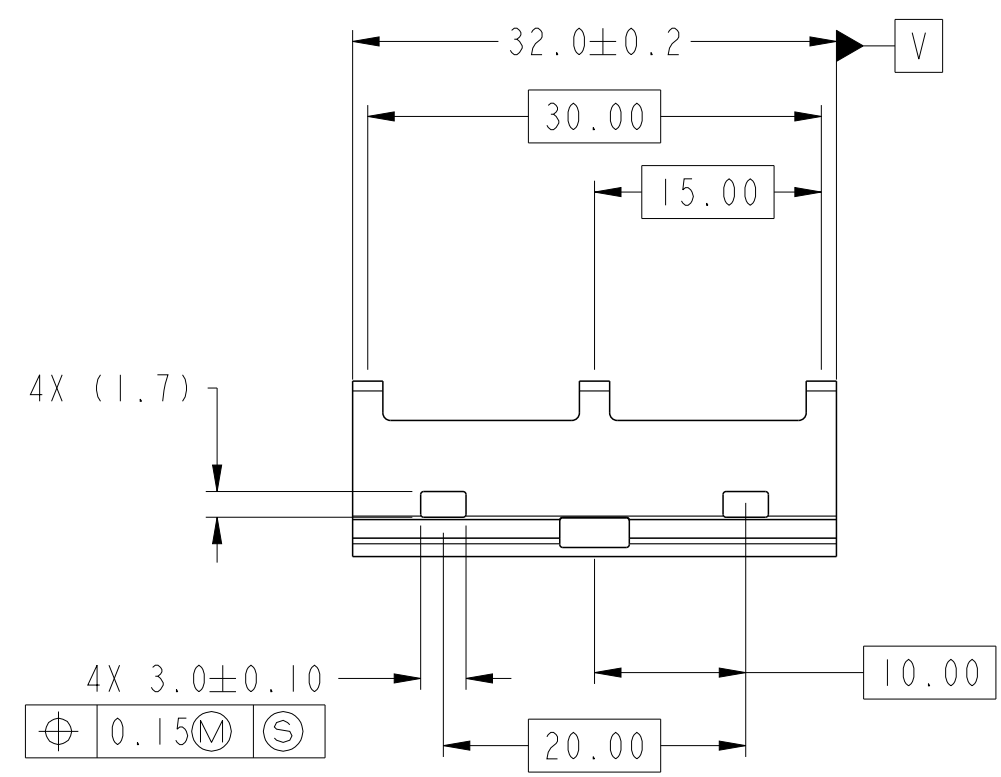
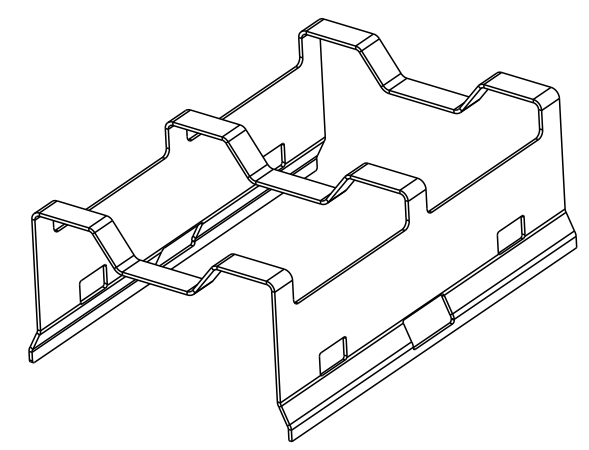
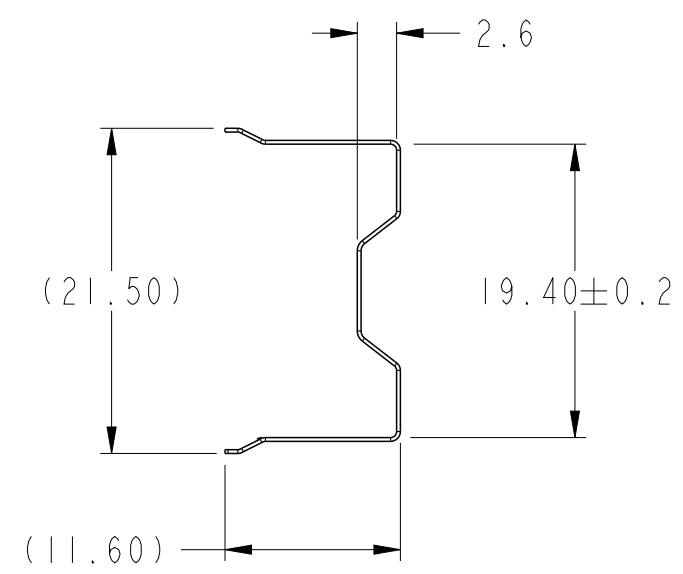
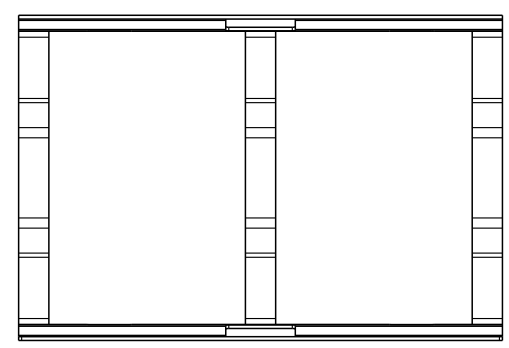


PART NUMBER
10099116-001LF



NOTES:

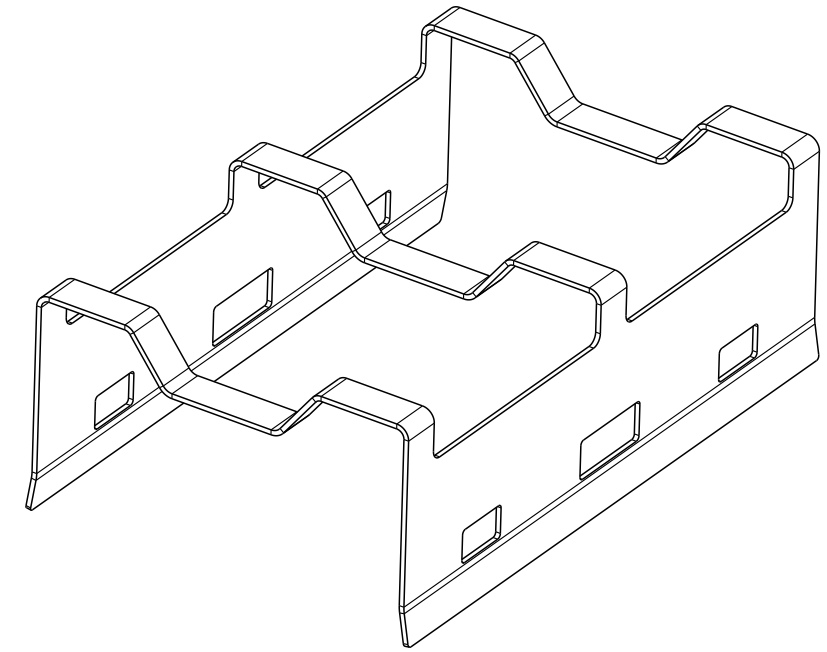
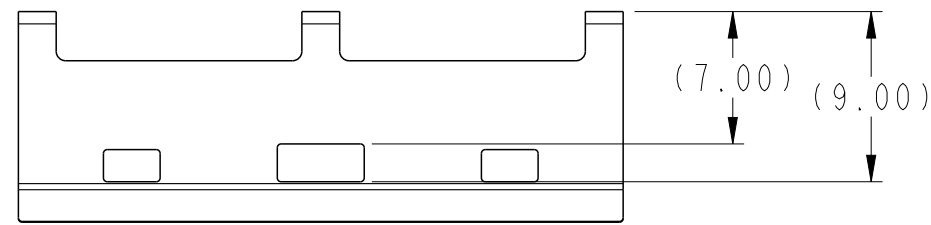
1. MATERIAL: COPPER ALLOY, NICKEL PLATED
2. PRODUCT SPECIFICATION: GS-12-622
3. APPLICATION SPECIFICATION: GS-20-126
4. PRODUCT MEETS EUROPEAN UNION DIRECTIVES AND OTHER COUNTRY REGULATIONS AS DESCRIBED IN GS-22-008.



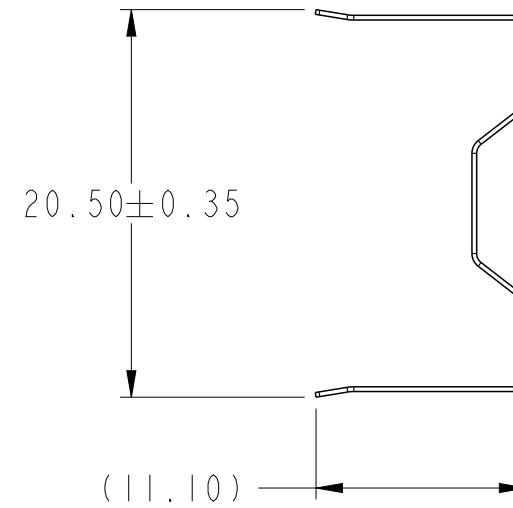
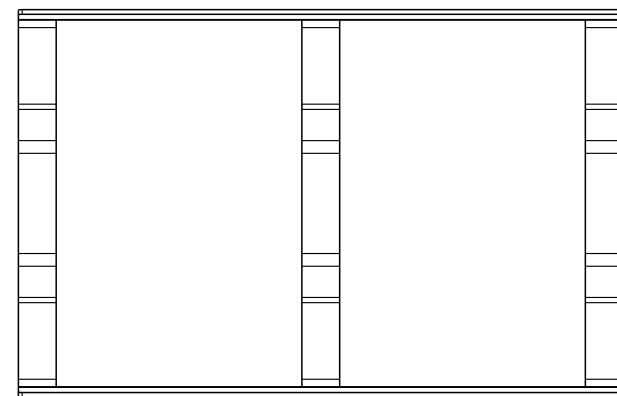
Copyright FCI.

spec ref	-	dr	Andy Zhang	2010/11/03	projection	mm	size	A3	scale	2:1		
tolerance std	ASME Y14.5	eng	Art Lin	2015/05/22			ecn no	ELX-DG-20151-1				
	TOLERANCES UNLESS OTHERWISE SPECIFIED	chr	-	rel level			Released					
surface	✓	appr	Pei-Ming Zheng	2015/05/24	product family	QSFP	rel level	Released				
	ASME Y14.5	linear	0.X	±0.20		QSFP HEATSINK CLIP QSFP CAGE ASSEMBLY	dwg no	10099116		rev	B	
			0.XX	±0.10			www.fci.com	cat. no.	-	Product - Customer Drw	sheet 1 of 2	
		angular	0°	±°								

PART NUMBER
10099116-002LF



SCALE 3:1



THE OTHER DIMENSIONS ARE SAME TO 10099116-001LF

spec ref	-	dr	Andy Zhang	2010/11/03	projection	mm	size	A3	scale	2:1
tolerance std	ASME Y14.5	eng	Art Lin	2015/05/22			ecn no	ELX-DG-20151-1		
		chr	-	-			rel level	Released		
surface	✓	appr	Pei-Ming Zheng	2015/05/24	product family	QSFP	rel level	Released		
		linear	0.X	±0.20		QSFP HEATSINK CLIP QSFP CAGE ASSEMBLY	dwg no	10099116		
			0.XX	±0.10			rev	B		
		angular	0°	±°			cat. no.	-		
		ASME Y14.5			www.fci.com	Product - Customer Drw	sheet 2 of 2			



Copyright FCI.

X-ON Electronics

Largest Supplier of Electrical and Electronic Components

Click to view similar products for [I/O Connectors](#) category:

Click to view products by [Amphenol](#) manufacturer:

Other Similar products are found below :

[571763P](#) [58098-0628](#) [72.250.1628.2](#) [72.250.2428.2](#) [74720-0505](#) [76.350.0729.0](#) [76871-1403](#) [FCN-244F080-G/1](#) [FCN-260A9920](#) [MP-5T180MUNNA-005](#) [PCR-E36PM](#) [PCS-XE26MA+](#) [G38A71314B](#) [1571250010](#) [157-22500-3](#) [MS3471L14-19P L/C](#) [192991-0703](#) [172501-4002](#) [172501-6002](#) [FCN-260C008-A/L0](#) [FCN-260C024-AL0](#) [FCN-261Z008](#) [2000314-1](#) [200331-1](#) [PCR-E36FC+](#) [PCS-E28FS+](#) [PCS-XE26SLFD+](#) [PCS-XE26SLFDT+](#) [G730VID08BDC24](#) [HDR-E14MSG1+](#) [U90B2054081210](#) [UE86K842720321](#) [38113800006](#)
[DP3AR020WQ1R200](#) [Z4.102.0680.0](#) [500-1040](#) [500-1052](#) [500-1054](#) [ZP-4008-66L](#) [0709821002](#) [DX40-20P\(55\)](#) [5554841-1](#) [MS3474W18-8P-LC*](#) [SM3106F14S-7S-LC](#) [U90B3054061110](#) [U65-E04-4020](#) [ZPF000000000097891](#) [557-262M2-06C](#) [747360449](#) [10099439-003C-TRLF](#)