

# Single Card Socket

101-00405-\*\*

SD Conn. , Stand-off = 1.8mm

Push-Push Type



**MATERIAL**

HSG : HIGH TEMPERATURE THERMOPLASTIC  
 CONTACT : COPPER ALLOY  
 SHELL : COPPER ALLOY

**RATING**

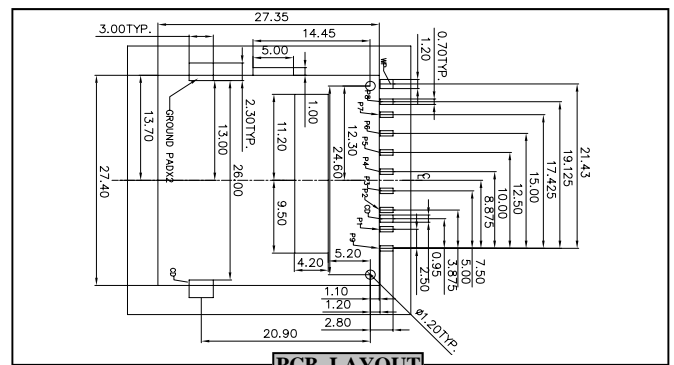
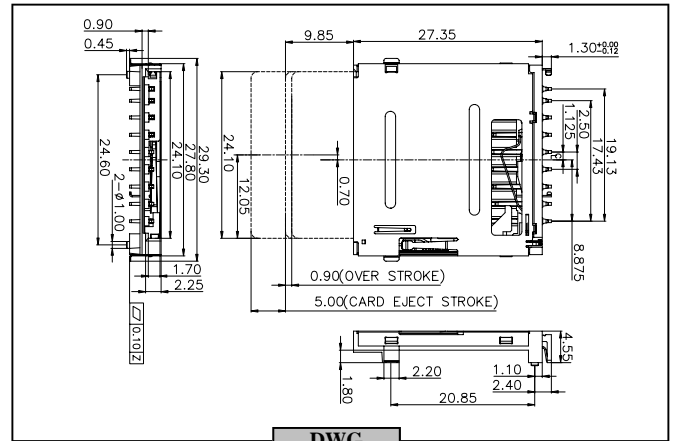
CURRENT RATING : 0.5 Amp  
 RATED VOLTAGE : 250 VAC

**ELECTRICAL**

CONTACT RESISTANCE : 100 mΩ Max.  
 INSULATION RESISTANCE : 1000 MΩ Max.  
 DIELECTRIC WITHSTANDING VOLTAGE : 500 VAC/RMS

**OPERATING TEMPERATURE**

-20°C ~ +65°C



|                 |   |   |                     |   |   |                      |   |   |                               |   |   |
|-----------------|---|---|---------------------|---|---|----------------------|---|---|-------------------------------|---|---|
| <b>CIRCUIT:</b> |   |   | <b>WITHOUT CARD</b> |   |   | <b>CARD INSERTED</b> |   |   | <b>WRITE PROTECT : LOCK</b>   |   |   |
| WP              | ○ | ○ | GROUND              | ○ | ○ | WP                   | ○ | ○ | GROUND                        | ○ | ○ |
| CD              | ○ | ○ | GROUND              | ○ | ○ | CD                   | ○ | ○ | GROUND                        | ○ | ○ |
|                 |   |   |                     |   |   |                      |   |   | <b>WRITE PROTECT : UNLOCK</b> |   |   |

101-00313-\*\*

SD Conn. , Stand-off = 0mm

Push-Push Type



**MATERIAL**

HSG : HIGH TEMPERATURE THERMOPLASTIC  
 SLIDE : PA 46  
 CONTACT : COPPER ALLOY  
 SHELL : COPPER ALLOY

**RATING**

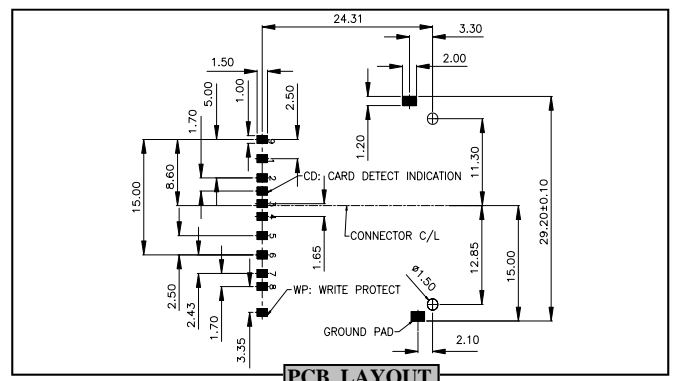
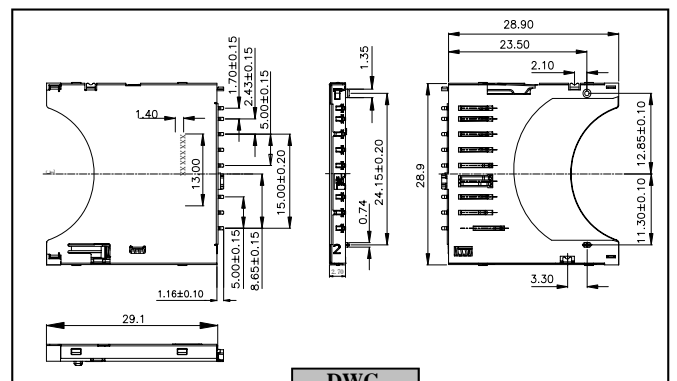
CURRENT RATING : 0.5 A mp  
 RATED VOLTAGE : 250 VAC

**ELECTRICAL**

CONTACT RESISTANCE : 100 mΩ Max.  
 INSULATION RESISTANCE : 1000 MΩ Max.  
 DIELECTRIC WITHSTANDING VOLTAGE : 500 VAC/RMS

**OPERATING TEMPERATURE**

-20°C ~ +65°C



|                 |   |   |                     |   |   |                      |   |   |                               |   |   |
|-----------------|---|---|---------------------|---|---|----------------------|---|---|-------------------------------|---|---|
| <b>CIRCUIT:</b> |   |   | <b>WITHOUT CARD</b> |   |   | <b>CARD INSERTED</b> |   |   | <b>WRITE PROTECT : LOCK</b>   |   |   |
| WP              | ○ | ○ | GROUND              | ○ | ○ | WP                   | ○ | ○ | GROUND                        | ○ | ○ |
| CD              | ○ | ○ | #3                  | ○ | ○ | CD                   | ○ | ○ | #3                            | ○ | ○ |
|                 |   |   |                     |   |   |                      |   |   | <b>WRITE PROTECT : UNLOCK</b> |   |   |

# Single Card Socket

101-00565-\*\*

SD+MMC+MMC 4.0 Conn

Push-Push Type



**MATERIAL**

HSG : HIGH TEMPERATURE THERMOPLASTIC  
 CONTACT : COPPER ALLOY  
 SHELL : COPPER ALLOY

**RATING**

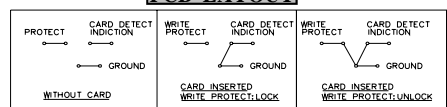
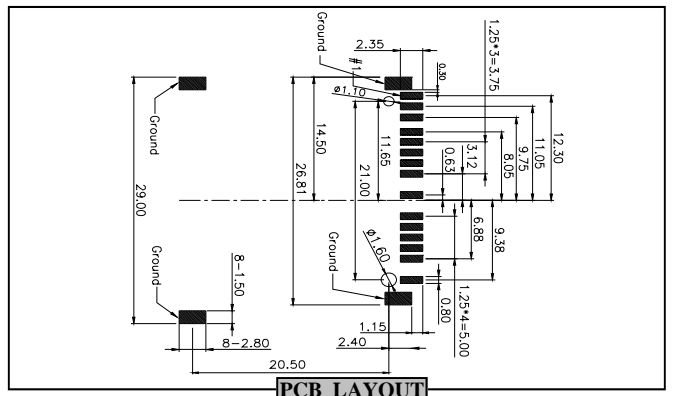
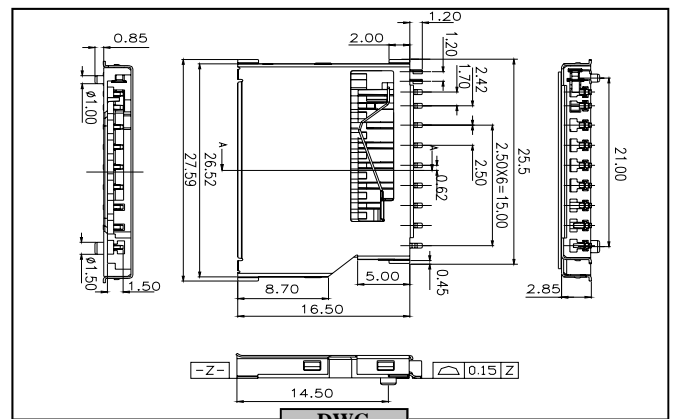
CURRENT RATING : 0.5 Amp  
 RATED VOLTAGE : 250 VAC

**ELECTRICAL**

CONTACT RESISTANCE : 100 mΩ Max.  
 INSULATION RESISTANCE : 1000 MΩ Max.  
 DIELECTRIC WITHSTANDING VOLTAGE : 500 VAC/RMS

**OPERATING TEMPERATURE**

-20°C ~ + 65°C



101-00577-\*\*

SD +MMC Connector, Manual Type

Push -Pull Type



**MATERIAL**

HSG : HIGH TEMPERATURE THERMOPLASTIC  
 CONTACT : COPPER ALLOY  
 SHELL : COPPER ALLOY

**RATING**

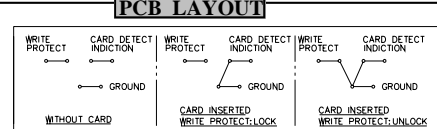
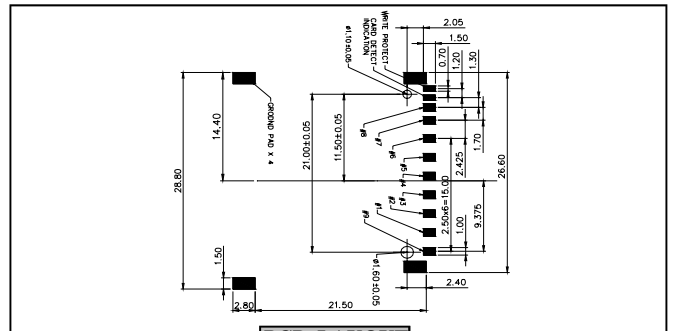
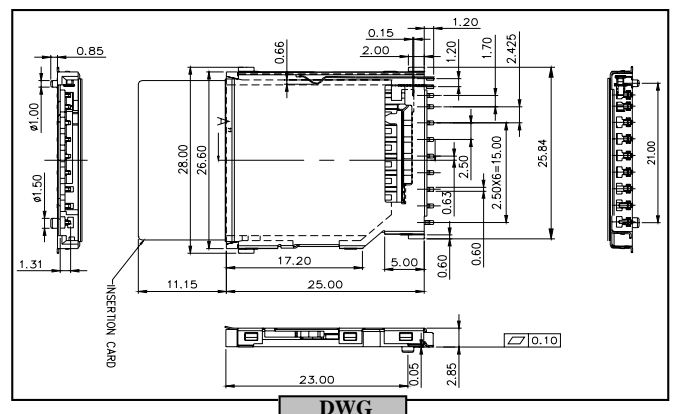
CURRENT RATING : 0.5 Amp  
 RATED VOLTAGE : 250 VAC

**ELECTRICAL**

CONTACT RESISTANCE : 100 mΩ Max.  
 INSULATION RESISTANCE : 1000 MΩ Max.  
 DIELECTRIC WITHSTANDING VOLTAGE : 500 VAC/RMS

**OPERATING TEMPERATURE**

-20°C ~ + 65°C



# Single Card Socket

101-00234-\*\*

SD Conn., Manual , Short body

Push in-Pull out Type

**MATERIAL**

HSG : HIGH TEMPERATURE THERMOPLASTIC  
 CONTACT : COPPER ALLOY  
 SHELL : COPPER ALLOY

**RATING**

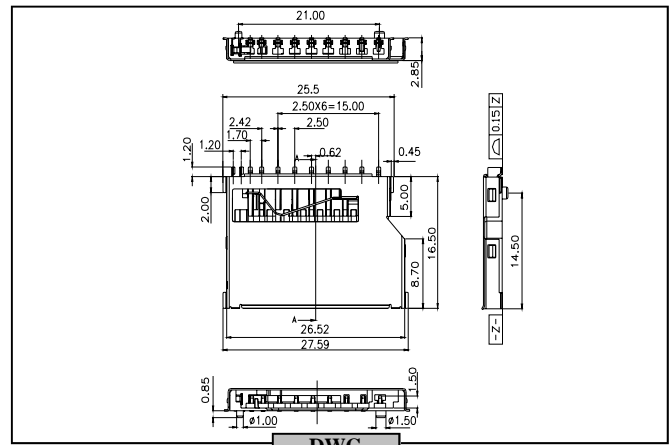
CURRENT RATING : 1 Amp.  
 RATED VOLTAGE : 100 VAC

**ELECTRICAL**

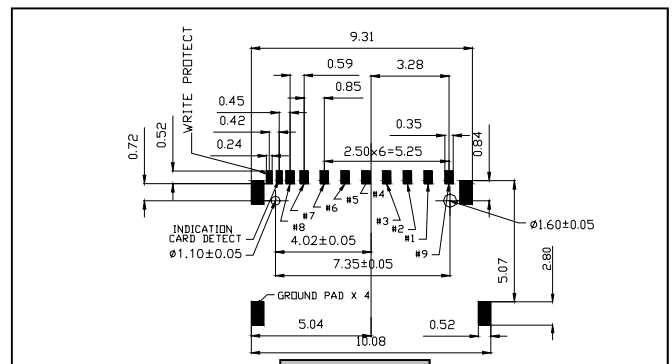
CONTACT RESISTANCE : 100 mΩ Max.  
 INSULATION RESISTANCE : 1000 MΩ Max.  
 DIELECTRIC WITHSTANDING VOLTAGE : 500 VAC/RMS

**OPERATING TEMPERATURE**

-20°C ~ +60°C



DWG



PCB LAYOUT

101-00042-\*\*

MS Conn, Reverse Type

Push in-Pull out



**MATERIAL**

HSG : HIGH TEMPERATURE THERMOPLASTIC  
 CONTACT : COPPER ALLOY  
 SHELL : COPPER ALLOY

**RATING**

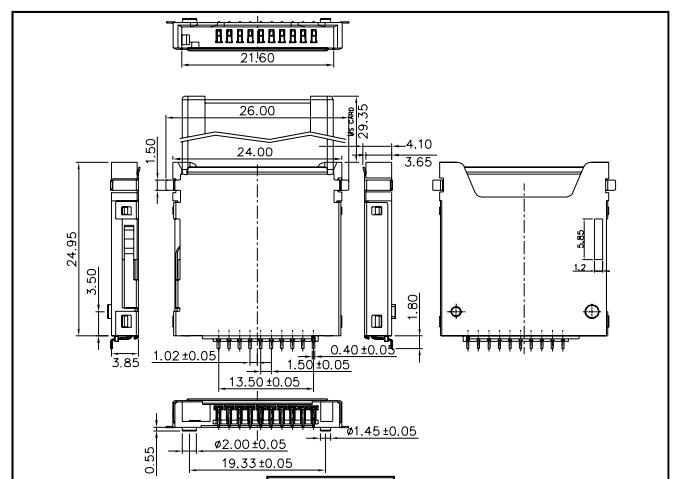
CURRENT RATING : 1 Amp.  
 RATED VOLTAGE : 100 V AC

**ELECTRICAL**

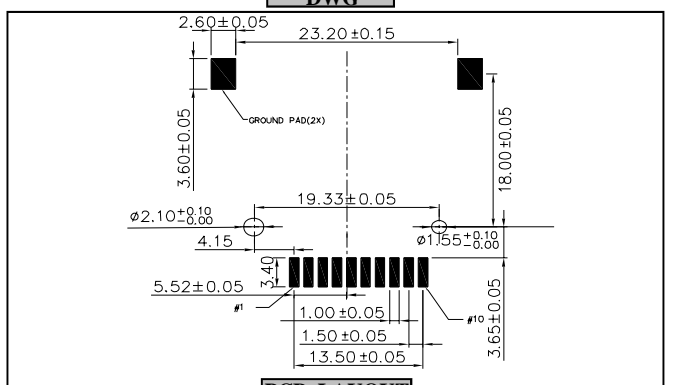
CONTACT RESISTANCE : 100 mΩ Max.  
 INSULATION RESISTANCE : 1000 MΩ Max.  
 DIELECTRIC WITHSTANDING VOLTAGE : 500 VAC/RMS

**OPERATING TEMPERATURE**

-20°C ~ +60°C



DWG



PCB LAYOUT

# Single Card Socket

101-00002-\*\*

## SIM+ XD Conn P-P Combo Connector

SIM : Push in -Pull out  
XD: Push in - Push out



**MATERIAL**

HSG : HIGH TEMPERATURE THERMOPLASTIC  
CONTACT : COPPER ALLOY  
SHELL : COPPER ALLOY

**RATING**

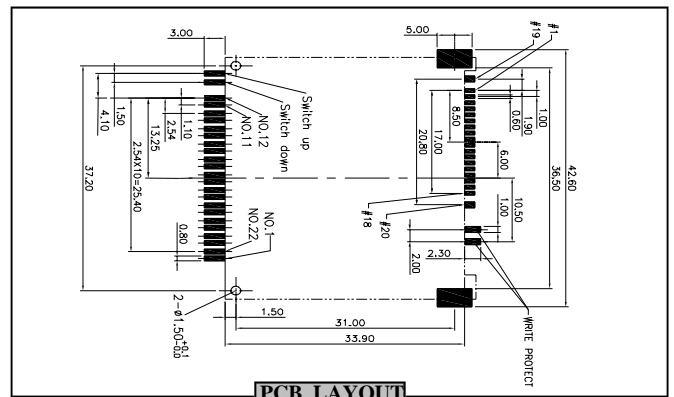
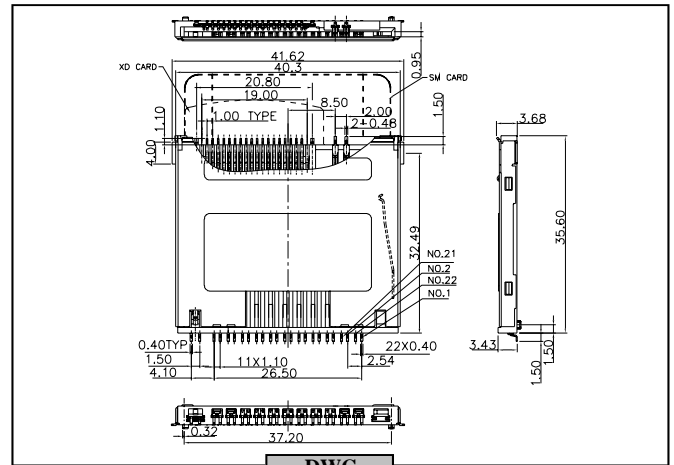
CURRENT RATING : 1 Amp  
RATED VOLTAGE : 100 VAC

**ELECTRICAL**

CONTACT RESISTANCE : 40 mΩ Max.  
INSULATION RESISTANCE : 1000 MΩ Max.  
DIELECTRIC WITHSTANDING VOLTAGE : 250 VAC/RMS

**OPERATING TEMPERATURE**

-20°C ~ + 65°C



101-00158-\*\*

## XD Connector, Manual Type

Push in -Pull out



**MATERIAL**

HSG : HIGH TEMPERATURE THERMOPLASTIC  
CONTACT : COPPER ALLOY  
SHELL : COPPER ALLOY

**RATING**

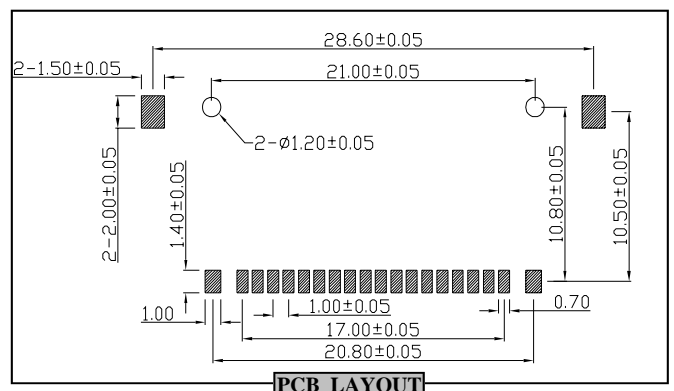
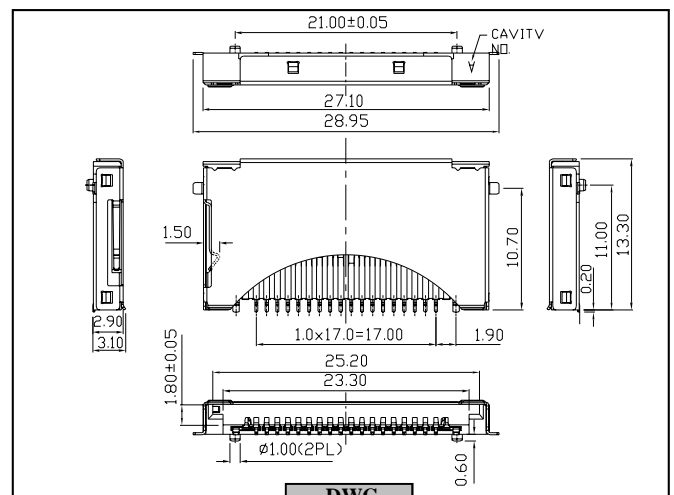
CURRENT RATING : 1 Amp  
RATED VOLTAGE : 100 VAC

**ELECTRICAL**

CONTACT RESISTANCE : 40 mΩ Max.  
INSULATION RESISTANCE : 1000 MΩ Max.  
DIELECTRIC WITHSTANDING VOLTAGE : 250 VAC/RMS

**OPERATING TEMPERATURE**

-20°C ~ + 65°C



# Single Card Socket

101-00205-\*\*

CF Conn., Standard Stand-off = 1.4mm

Reverse Type



**MATERIAL**

HSG : HIGH TEMPERATURE THERMOPLASTIC  
 CONTACT : COPPER ALLOY  
 SHELL : COPPER ALLOY

**RATING**

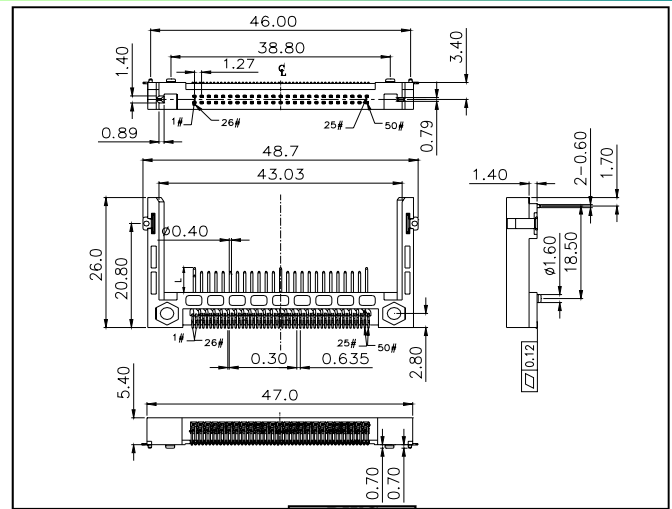
CURRENT RATING : 1 A mp  
 RATED VOLTAGE : 100 VAC

**ELECTRICAL**

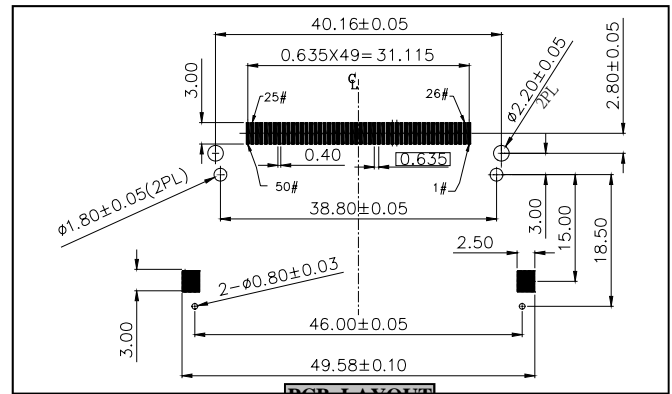
CONTACT RESISTANCE : 100 mΩ Max.  
 INSULATION RESISTANCE : 1000 MΩ Max.  
 DIELECTRIC WITHSTANDING VOLTAGE : 500 VAC/RMS

**OPERATING TEMPERATURE**

-20°C ~ +60°C



DWG



PCB LAYOUT

101-00178-\*\*

CF Conn., Ultra short

Normal Type



**MATERIAL**

HSG : HIGH TEMPERATURE THERMOPLASTIC  
 CONTACT : COPPER ALLOY  
 SHELL : COPPER ALLOY

**RATING**

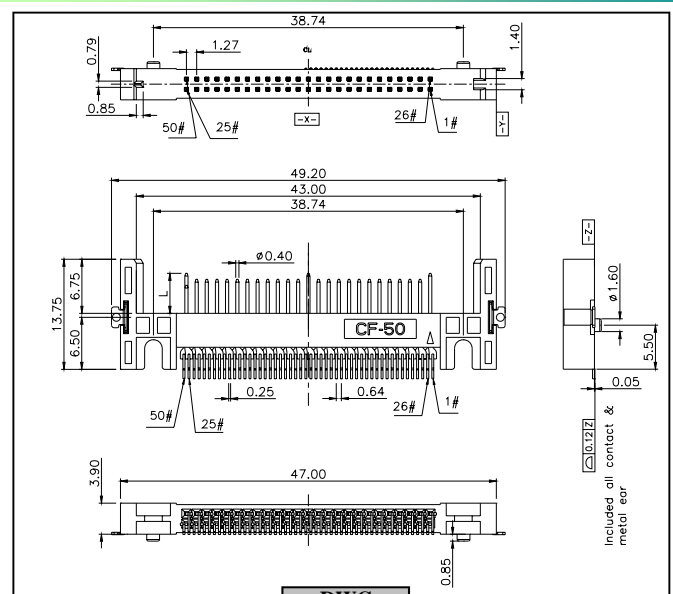
CURRENT RATING : 1 Amp  
 RATED VOLTAGE : 100 VAC

**ELECTRICAL**

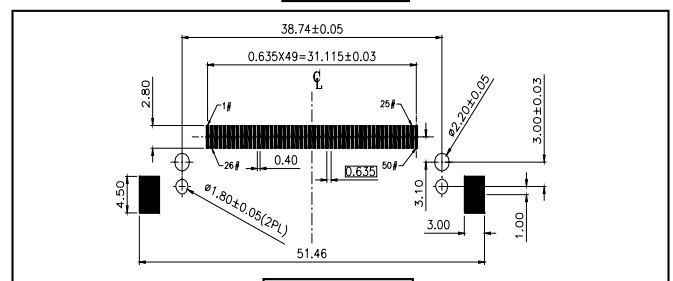
CONTACT RESISTANCE : 100 mΩ Max.  
 INSULATION RESISTANCE : 1000 MΩ Max.  
 DIELECTRIC WITHSTANDING VOLTAGE : 500 VAC/RMS

**OPERATING TEMPERATURE**

-20°C ~ +60°C



DWG



PCB LAYOUT

# Single Card Socket

101-00140-\*\*

CF, W/Shell, Stand-off=1.4mm

Reverse Type



**MATERIAL**

- HSG : HIGH TEMPERATURE THERMOPLASTIC
- CONTACT : COPPER ALLOY
- SHELL : COPPER ALLOY

**RATING**

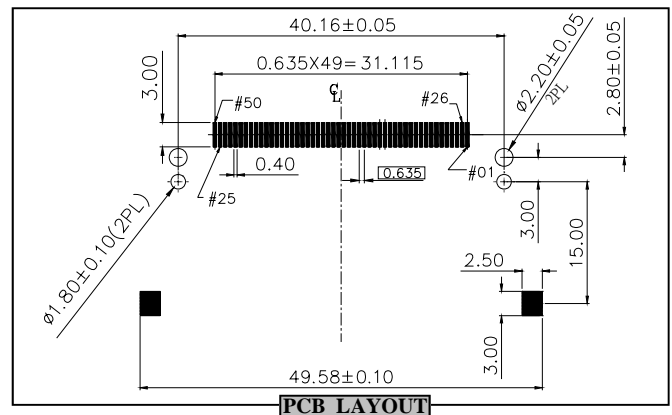
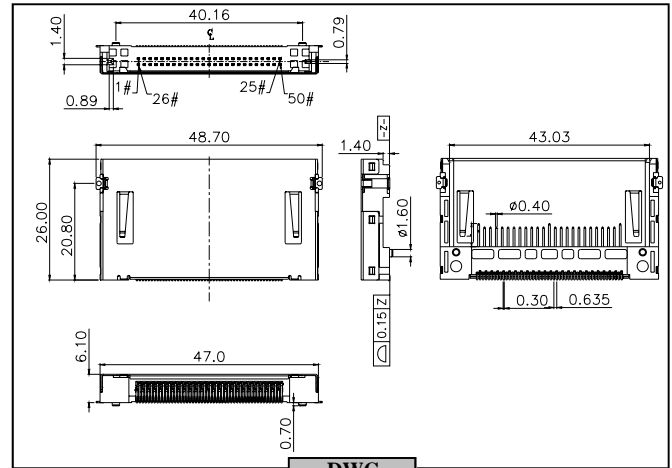
- CURRENT RATING : 1 A AC/DC Max
- RATED VOLTAGE : 100 VAC

**ELECTRICAL**

- CONTACT RESISTANCE : 40 mΩ Max.
- INSULATION RESISTANCE : 1000 MΩ Max.
- DIELECTRIC WITHSTANDING VOLTAGE : 500 VAC/RMS

**OPERATING TEMPERATURE**

-20°C ~ +60°C



101-00265-\*\*

CF, W/Shell

Reverse Type



**MATERIAL**

- HSG : HIGH TEMPERATURE THERMOPLASTIC
- CONTACT : COPPER ALLOY
- SHELL : COPPER ALLOY

**RATING**

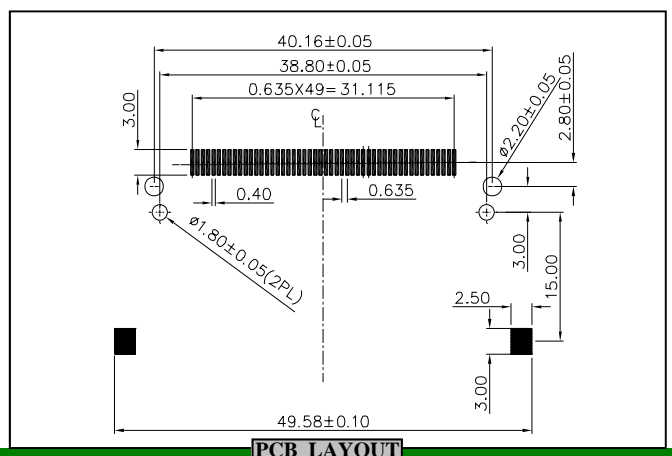
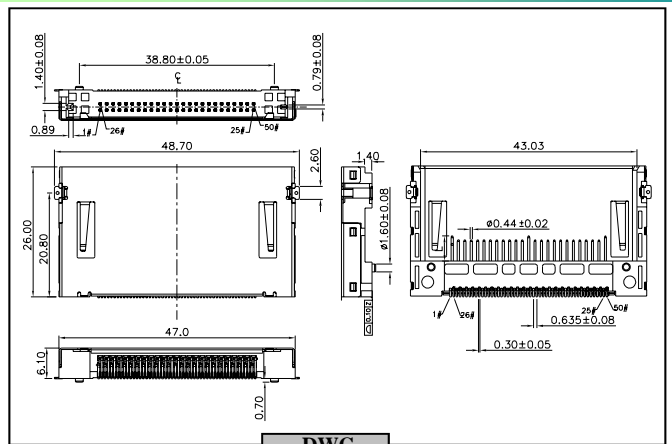
- CURRENT RATING : 1 A AC/DC Max
- RATED VOLTAGE : 100 VAC

**ELECTRICAL**

- CONTACT RESISTANCE : 40 mΩ Max.
- INSULATION RESISTANCE : 1000 MΩ Max.
- DIELECTRIC WITHSTANDING VOLTAGE : 500 VAC/RMS

**OPERATING TEMPERATURE**

-20°C ~ +60°C











# Combo Card Socket

101-00413-\*\*

## 4-in-1 Combo, Reverse, PCB Type



### MATERIAL

HSG : HIGH TEMPERATURE THERMOPLASTIC  
 CONTACT : COPPER ALLOY  
 SHELL : COPPER ALLOY

### RATING

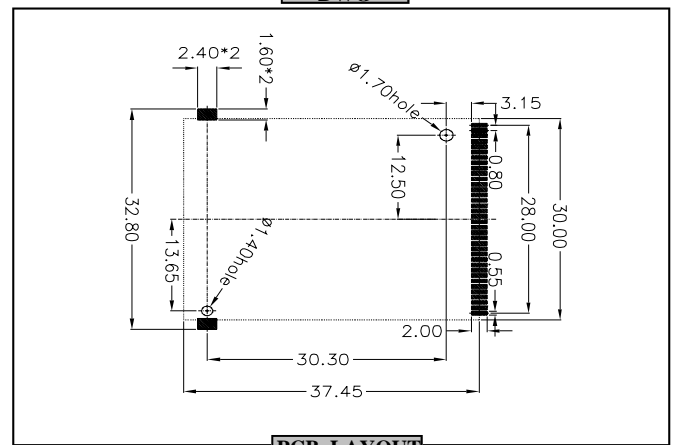
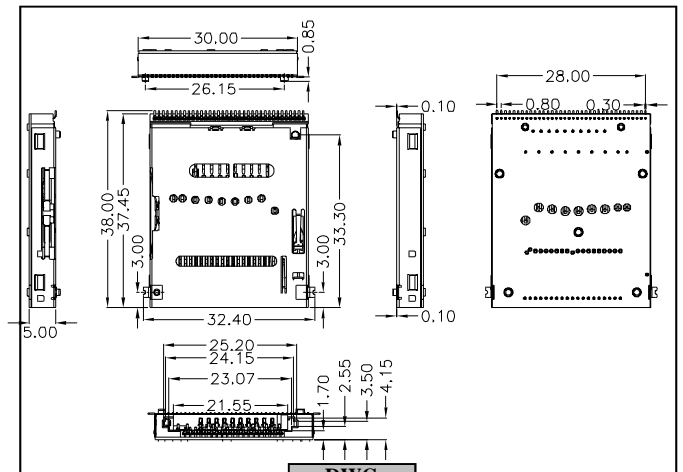
CURRENT RATING : 0.5 A mp  
 RATED VOLTAGE : 250 VAC

### ELECTRICAL

CONTACT RESISTANCE : 100 mΩ Max.  
 INSULATION RESISTANCE : 1000 MΩ Max.  
 DIELECTRIC WITHSTANDING VOLTAGE : 500 VAC/RMS

### OPERATING TEMPERATURE

-20°C ~ + 60°C



101-00414-\*\* / 101-00415-\*\*

## 4-in-1 Combo, Top mount, PCB Type



### MATERIAL

HSG : HIGH TEMPERATURE THERMOPLASTIC  
 CONTACT : COPPER ALLOY  
 SHELL : COPPER ALLOY

### RATING

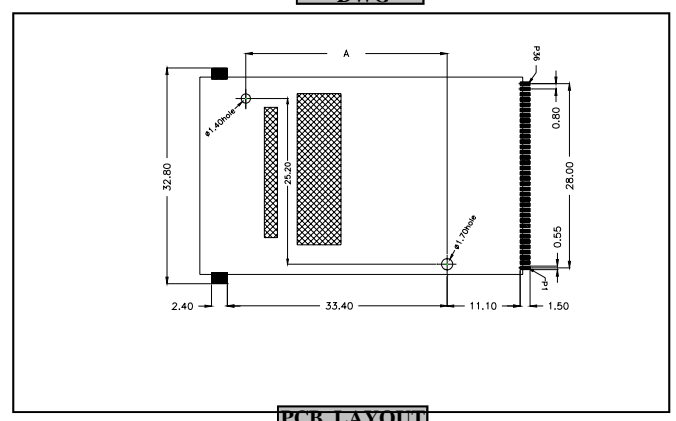
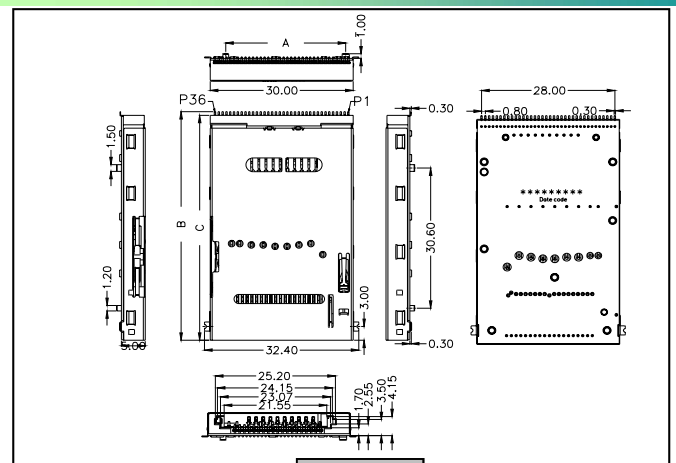
CURRENT RATING : 0.5 A mp  
 RATED VOLTAGE : 250 VAC

### ELECTRICAL

CONTACT RESISTANCE : 100 mΩ Max.  
 INSULATION RESISTANCE : 1000 MΩ Max.  
 DIELECTRIC WITHSTANDING VOLTAGE : 500 VAC/RMS

### OPERATING TEMPERATURE

-20°C ~ + 60°C



## Push in- Push out

DWG

PCB LAYOUT

# Combo Card Socket

101-00396-\*\*

## SD 6-in-1 Combo, Reverse Type

Push in-Pull out

### MATERIAL

HSG : HIGH TEMPERATURE THERMOPLASTIC  
 CONTACT : COPPER ALLOY  
 SHELL : COPPER ALLOY

### RATING

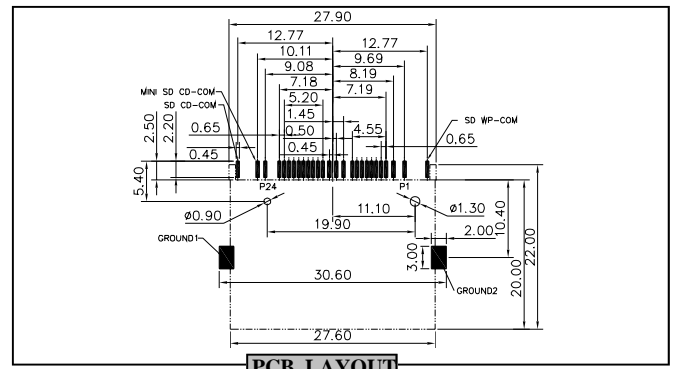
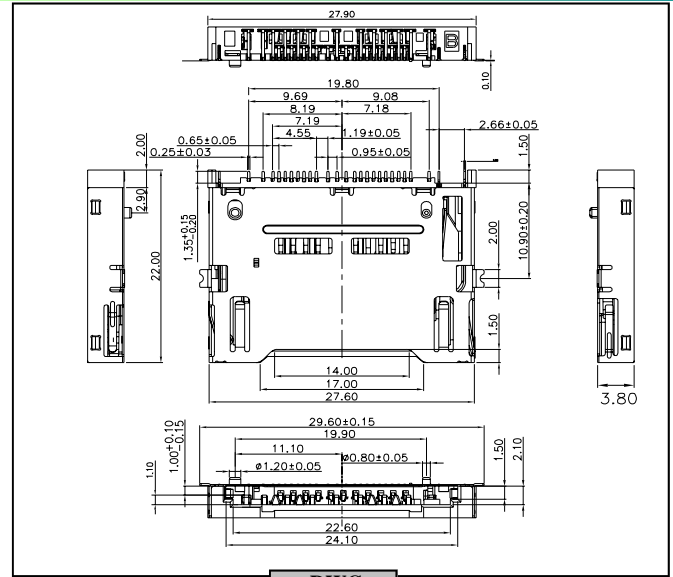
CURRENT RATING : 0.5 Amp  
 RATED VOLTAGE : 250 VAC

### ELECTRICAL

CONTACT RESISTANCE : 100 mΩ Max.  
 INSULATION RESISTANCE : 1000 MΩ Max.  
 DIELECTRIC WITHSTANDING VOLTAGE : 500 VAC/RMS

### OPERATING TEMPERATURE

-20°C ~ + 60°C



101-00395-\*\*

## SD 6-in-1 Combo, Top mount Type

Push in-Pull out



### MATERIAL

HSG : HIGH TEMPERATURE THERMOPLASTIC  
 CONTACT : COPPER ALLOY  
 SHELL : COPPER ALLOY

### RATING

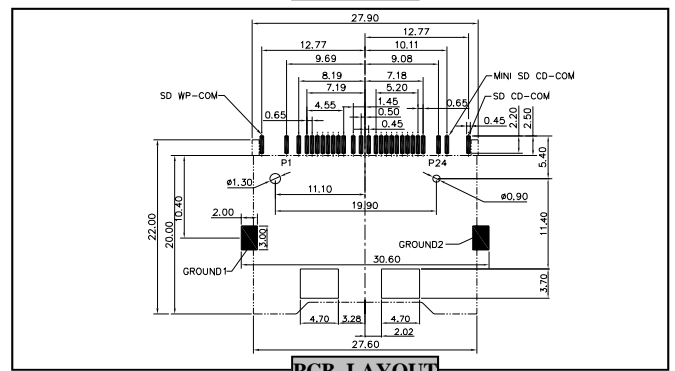
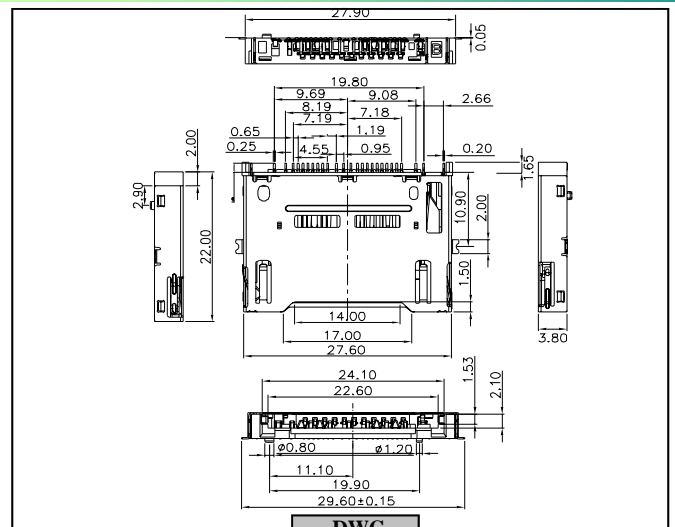
CURRENT RATING : 0.5 Amp  
 RATED VOLTAGE : 250 VAC

### ELECTRICAL

CONTACT RESISTANCE : 100 mΩ Max.  
 INSULATION RESISTANCE : 1000 MΩ Max.  
 DIELECTRIC WITHSTANDING VOLTAGE : 500 VAC/RMS

### OPERATING TEMPERATURE

-20°C ~ + 60°C

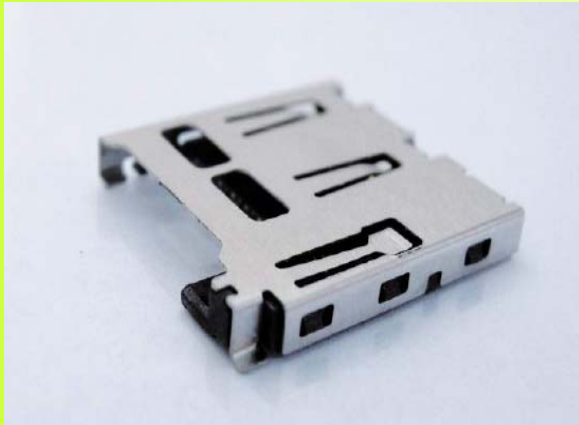


# Miniature Card Socket

101-00139-\*\*

Micro SD P-P, W/O C/D Function Conn.

Push in- Push out



**MATERIAL**

HSG : HIGH TEMPERATURE THERMOPLASTIC  
 CONTACT : COPPER ALLOY  
 SHELL : STAINLESS STEEL

**RATING**

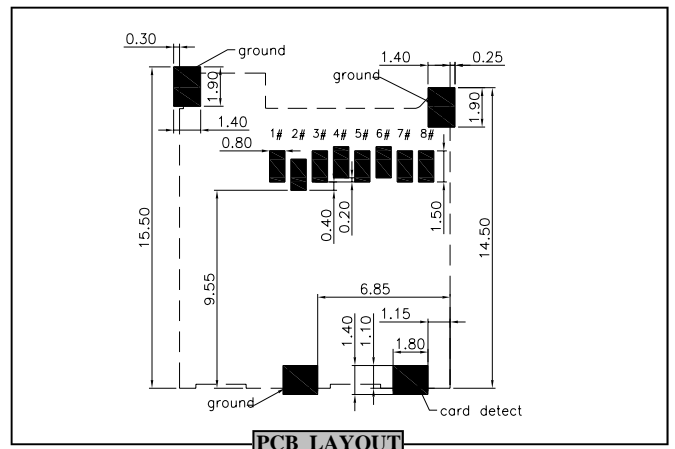
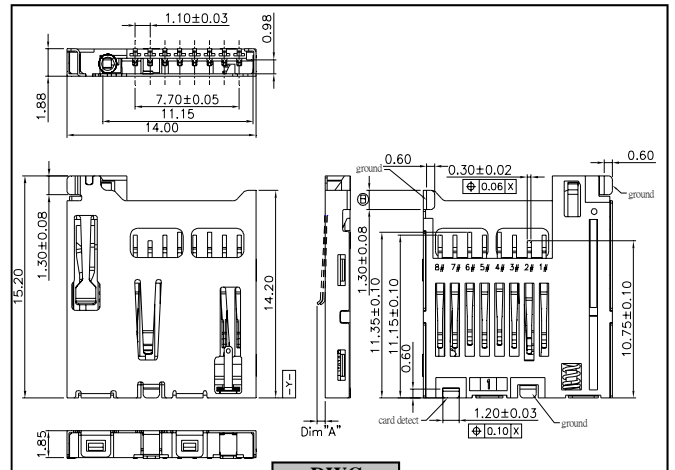
CURRENT RATING : 0.5 Amp  
 RATED VOLTAGE : 250 VAC

**ELECTRICAL**

CONTACT RESISTANCE : 100 mΩ Max.  
 INSULATION RESISTANCE : 1000 MΩ Max.  
 DIELECTRIC WITHSTANDING VOLTAGE : 500 VAC/RMS

**OPERATING TEMPERATURE**

-25°C ~ + 85°C



101-00236-\*\*

Micro-SD P/P CARD Conn.

Push in- Push out



**MATERIAL**

HSG : HIGH TEMPERATURE THERMOPLASTIC  
 CONTACT : COPPER ALLOY  
 SHELL : STAINLESS STEEL

**RATING**

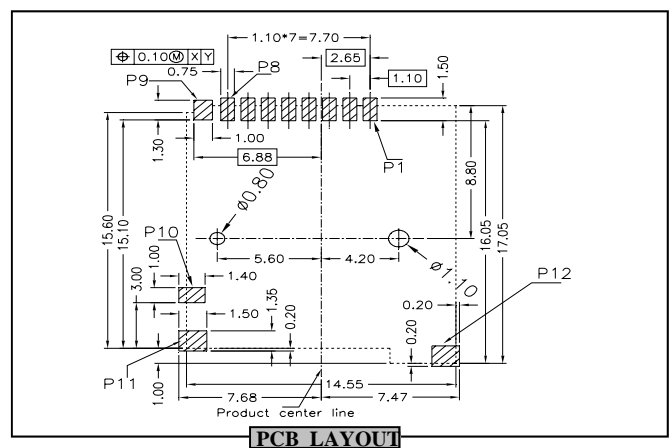
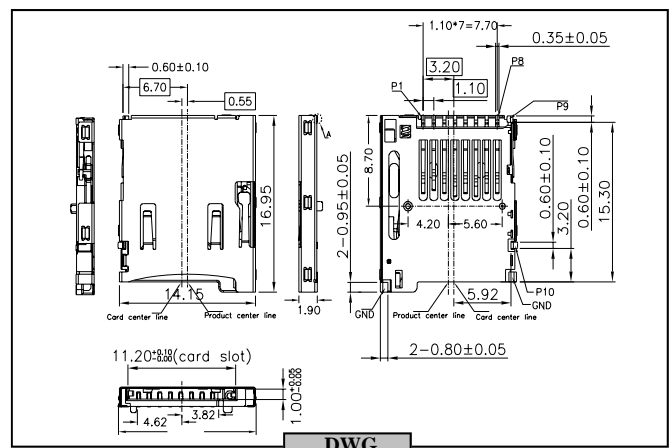
CURRENT RATING : 0.5 Amp  
 RATED VOLTAGE : 250 VAC

**ELECTRICAL**

CONTACT RESISTANCE : 100 mΩ Max.  
 INSULATION RESISTANCE : 1000 MΩ Max.  
 DIELECTRIC WITHSTANDING VOLTAGE : 500 VAC/RMS

**OPERATING TEMPERATURE**

-25°C ~ + 85°C





# Miniature Card Socket

101-00349-\*\*

Micro SD P/P, Normal Close

Push in- Push out



#### MATERIAL

HSG : HIGH TEMPERATURE THERMOPLASTIC  
CONTACT : COPPER ALLOY  
SHELL : COPPER ALLOY

#### RATING

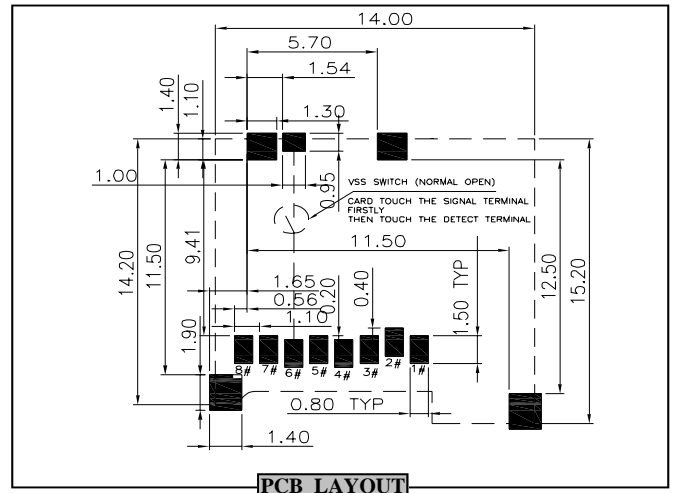
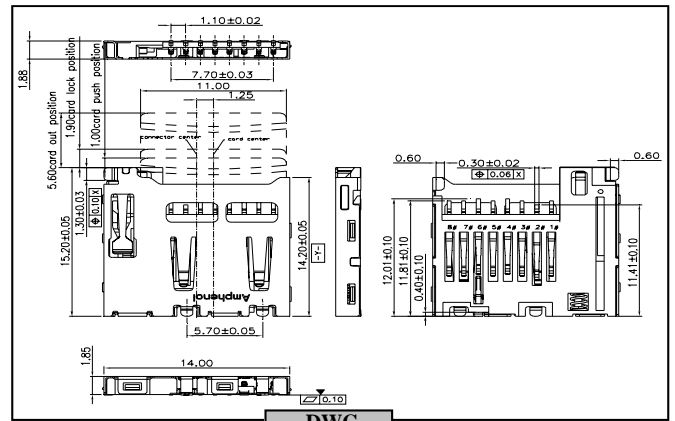
CURRENT RATING : 0.5 Amp  
RATED VOLTAGE : 100 VAC

#### ELECTRICAL

CONTACT RESISTANCE : 100 mΩ Max.  
INSULATION RESISTANCE : 1000 MΩ Max.  
DIELECTRIC WITHSTANDING VOLTAGE : 500 VAC/RMS

#### OPERATING TEMPERATURE

-25°C ~ +85°C



101-00112-\*\*

Micro SD P-P, Hinge Type Conn. (8 pin)

Push in- Push out



#### MATERIAL

HSG : HIGH TEMPERATURE THERMOPLASTIC  
CONTACT : COPPER ALLOY  
SHELL : COPPER ALLOY

#### RATING

CURRENT RATING : 0.5 Amp  
RATED VOLTAGE : 100 VAC

#### ELECTRICAL

CONTACT RESISTANCE : 100 mΩ Max.  
INSULATION RESISTANCE : 1000 MΩ Max.  
DIELECTRIC WITHSTANDING VOLTAGE : 500 VAC/RMS

#### OPERATING TEMPERATURE

-25°C ~ +85°C

# Miniature Card Socket

101-00294-\*\*

SIM + micro-SD P-P Combo



**MATERIAL**

HSG : HIGH TEMPERATURE THERMOPLASTIC  
 CONTACT : COPPER ALLOY  
 SHELL : COPPER ALLOY

**RATING**

CURRENT RATING : 0.5 A AC/DC Max  
 RATED VOLTAGE : 100 VAC

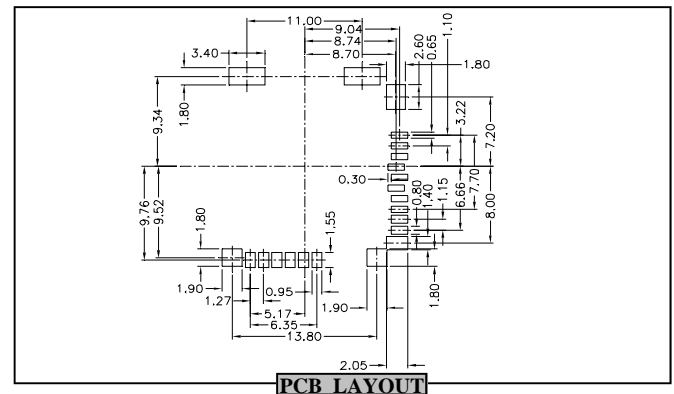
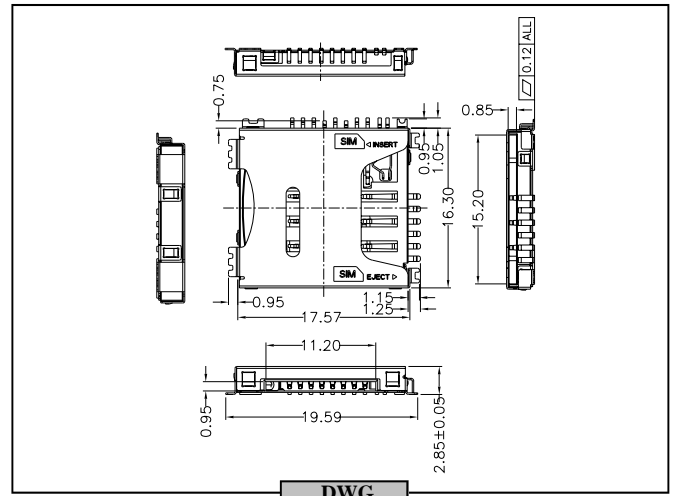
**ELECTRICAL**

CONTACT RESISTANCE : 100 mΩ Max.  
 INSULATION RESISTANCE : 1000 MΩ Max.  
 DIELECTRIC WITHSTANDING VOLTAGE : 500 VAC/RMS

**OPERATING TEMPERATURE**

-25°C ~ +85°C

SIM : Push in - Pull out  
 microSD: Push in - Push out



101-00318-\*\*

SIM + micro-SD P-P Combo



**MATERIAL**

HSG : HIGH TEMPERATURE THERMOPLASTIC  
 CONTACT : COPPER ALLOY  
 SHELL : COPPER ALLOY

**RATING**

CURRENT RATING : 0.5 A AC/DC Max  
 RATED VOLTAGE : 100 VAC

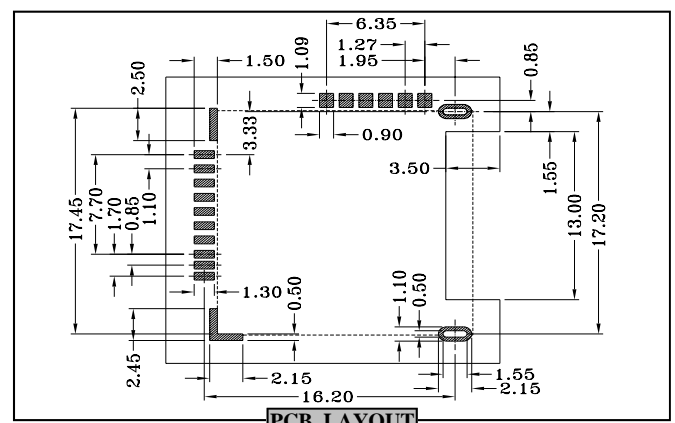
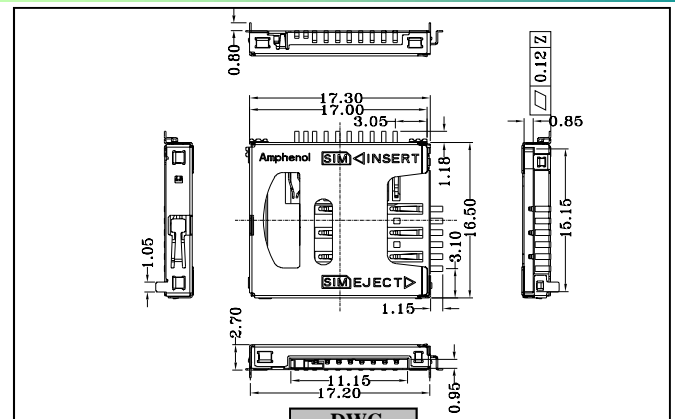
**ELECTRICAL**

CONTACT RESISTANCE : 100 mΩ Max.  
 INSULATION RESISTANCE : 1000 MΩ Max.  
 DIELECTRIC WITHSTANDING VOLTAGE : 500 VAC/RMS

**OPERATING TEMPERATURE**

-25°C ~ +85°C

SIM : Push in - Pull out  
 microSD: Push in - Push out





# Miniature Card Socket

101-00347-\*\*

SIM + micro-SD P-P Combo, w / logo

SIM : Push in - Pull out  
microSD: Push in - Push out

MATERIAL

HSG : HIGH TEMPERATURE THERMOPLASTIC  
CONTACT : COPPER ALLOY  
SHELL : COPPER ALLOY

RATING

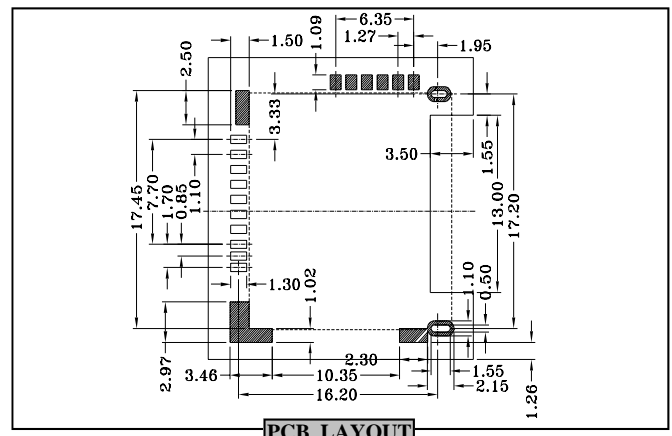
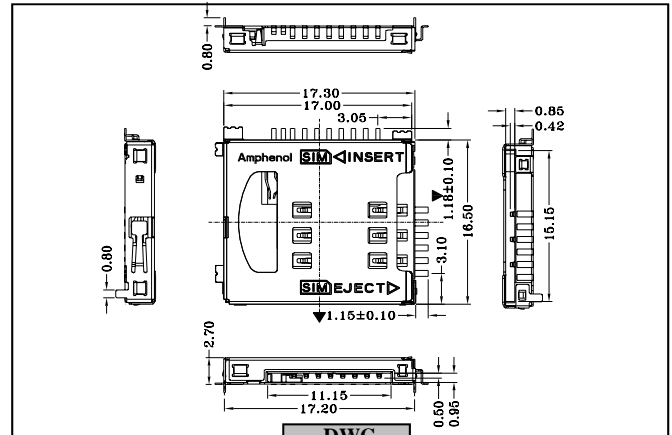
CURRENT RATING : 0.5 A AC/DC Max  
RATED VOLTAGE : 100 VAC

ELECTRICAL

CONTACT RESISTANCE : 100 mΩ Max.  
INSULATION RESISTANCE : 1000 MΩ Max.  
DIELECTRIC WITHSTANDING VOLTAGE : 500 VAC/RMS

OPERATING TEMPERATURE

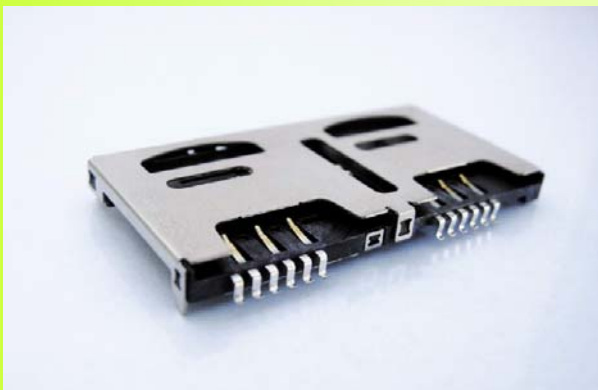
-25°C ~ + 85°C



101-00359-\*\*

Double SIM + micro-SD P-P Combo

SIM : Push in - Pull out  
microSD: Push in - Push out



MATERIAL

HSG : HIGH TEMPERATURE THERMOPLASTIC  
CONTACT : COPPER ALLOY  
SHELL : COPPER ALLOY

RATING

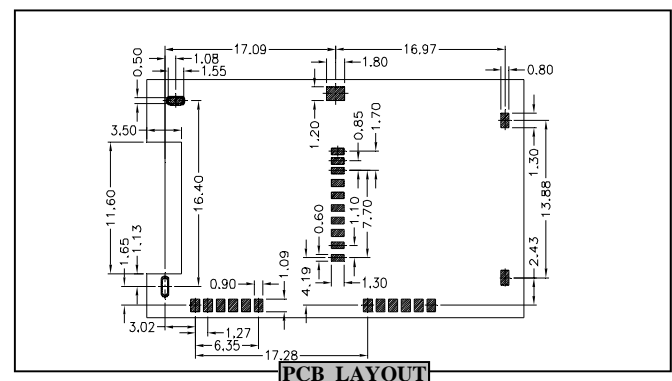
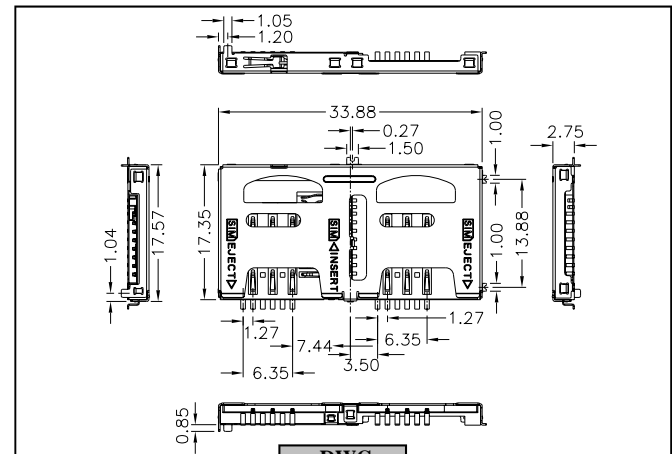
CURRENT RATING : 0.5 A AC/DC Max  
RATED VOLTAGE : 100 VAC

ELECTRICAL

CONTACT RESISTANCE : 100 mΩ Max.  
INSULATION RESISTANCE : 1000 MΩ Max.  
DIELECTRIC WITHSTANDING VOLTAGE : 500 VAC/RMS

OPERATING TEMPERATURE

-25°C ~ + 85°C



# Miniature Card Socket

101-00492-\*\*

## Mega SIM + micro-SD Connector



### MATERIAL

HSG : HIGH TEMPERATURE THERMOPLASTIC  
CONTACT : COPPER ALLOY  
SHELL : STAINLESS

### RATING

CURRENT RATING : 0.5 A AC/DC Max  
RATED VOLTAGE : 100 VAC

### ELECTRICAL

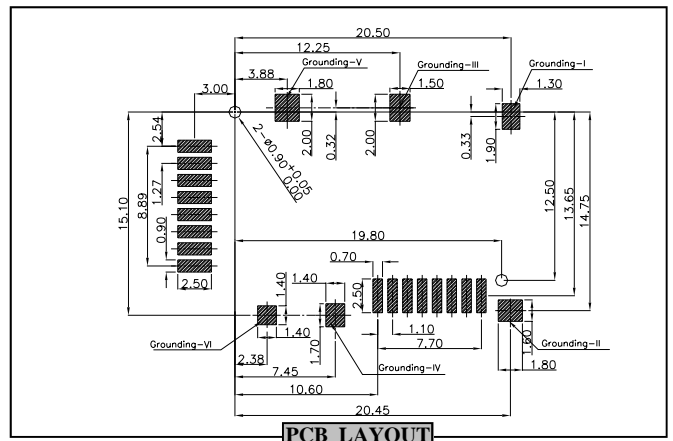
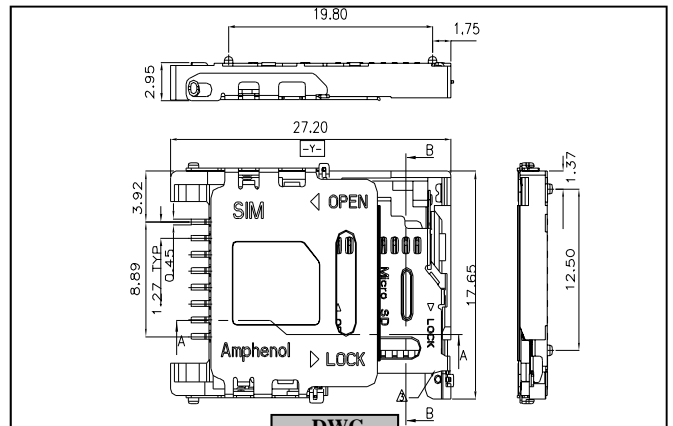
CONTACT RESISTANCE : 100 mΩ Max.  
INSULATION RESISTANCE : 1000 MΩ Max.  
DIELECTRIC WITHSTANDING VOLTAGE : 500 VAC/RMS

### OPERATING TEMPERATURE

-25°C ~ + 85°C

SIM : Push in - Pull out

microSD: Push in - Push out



101-00269-\*\*

## SIM Socket, Normal Type



### MATERIAL

HSG : HIGH TEMPERATURE THERMOPLASTIC  
CONTACT : COPPER ALLOY  
SHELL : STAINLESS STEEL

### RATING

CURRENT RATING : 0.5 A AC/DC Max  
RATED VOLTAGE : 250 VAC  
5.0 vrms

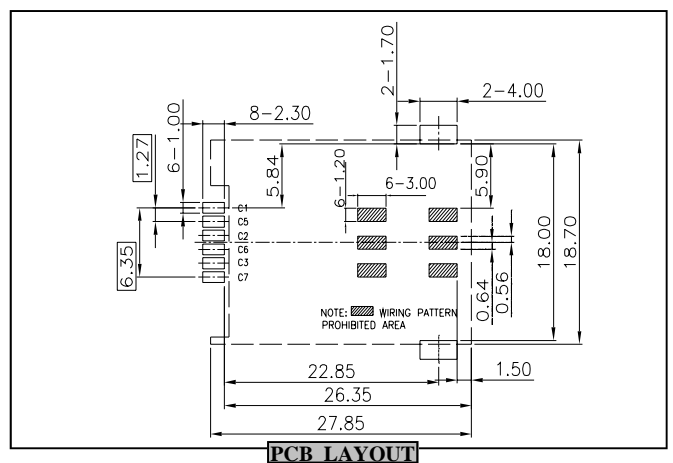
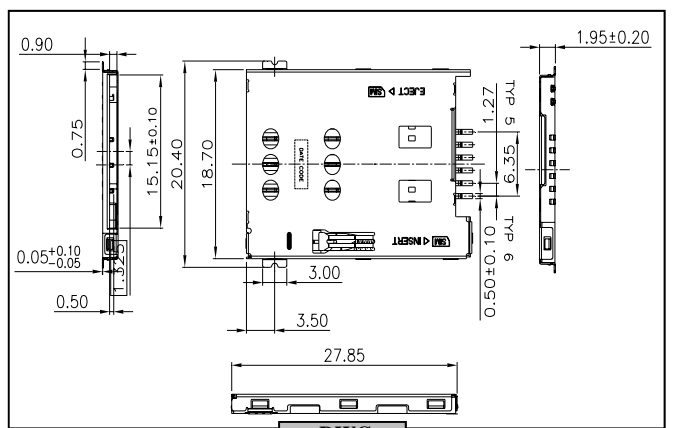
### ELECTRICAL

CONTACT RESISTANCE : 100 mΩ Max.  
INSULATION RESISTANCE : 1000 MΩ Max.  
DIELECTRIC WITHSTANDING VOLTAGE : 250 VAC/RMS

### OPERATING TEMPERATURE

-55°C ~ + 85°C

Push in-Pull out



# Miniature Card Socket

101-00270-\*\*

## SIM Socket, Reverse Type

## Push in-Pull out

### MATERIAL

HSG : HIGH TEMPERATURE THERMOPLASTIC  
CONTACT : COPPER ALLOY  
SHELL : STAINLESS STEEL

### RATING

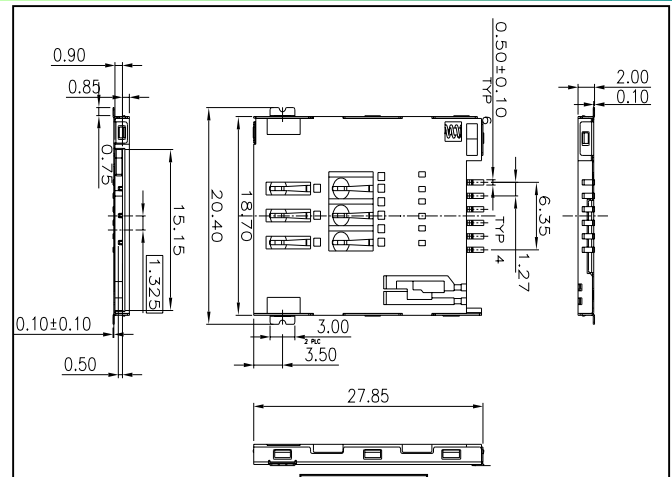
CURRENT RATING : 0.5 A AC/DC Max  
RATED VOLT- 5.0 vrms

### ELECTRICAL

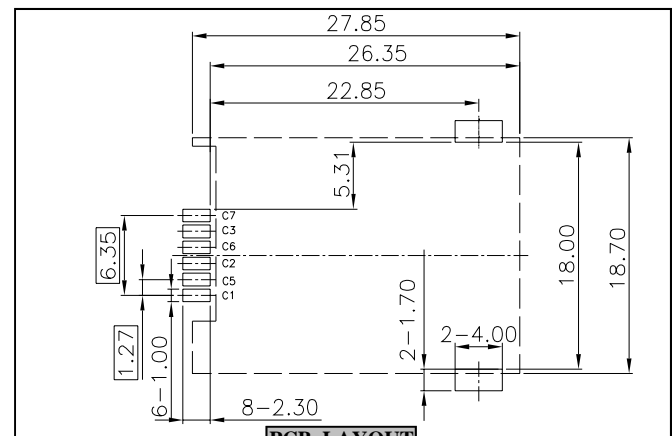
CONTACT RESISTANCE : 100 mΩ Max.  
INSULATION RESISTANCE : 1000 MΩ Max.  
DIELECTRIC WITHSTANDING VOLTAGE : 250 VAC/RMS

### OPERATING TEMPERATURE

-55°C ~ +85°C



DWG

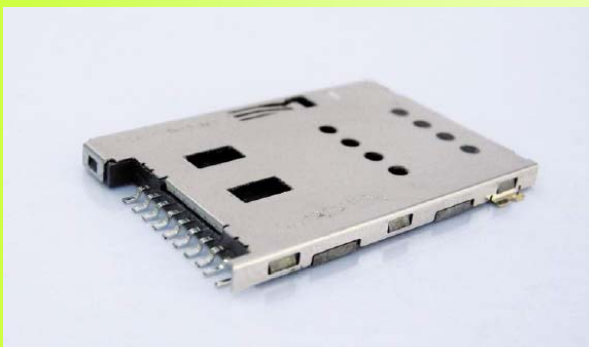


PCB LAYOUT

101-00271-\*\*

## Mega SIM Socket, Normal Type

## Push in-Pull out



### MATERIAL

HSG : HIGH TEMPERATURE THERMOPLASTIC  
CONTACT : COPPER ALLOY  
SHELL : STAINLESS STEEL

### RATING

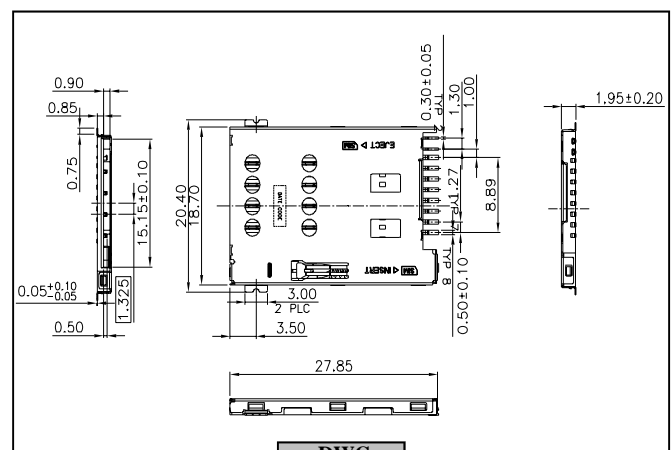
CURRENT RATING : 0.5 A AC/DC Max  
RATED VOLT- AGE : 250 VAC 5.0 vrms

### ELECTRICAL

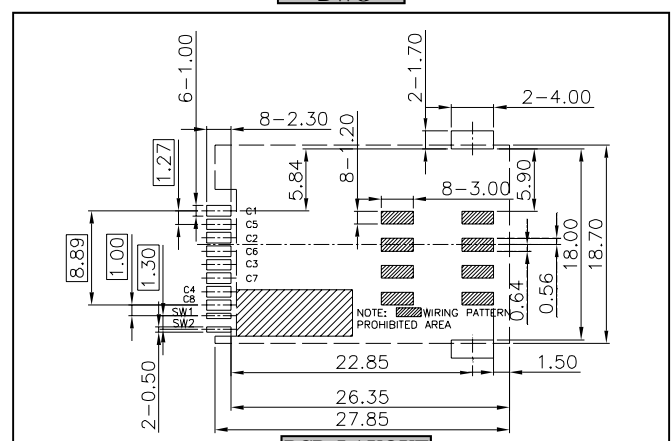
CONTACT RESISTANCE : 100 mΩ Max.  
INSULATION RESISTANCE : 1000 MΩ Max.  
DIELECTRIC WITHSTANDING VOLTAGE : 250 VAC/RMS

### OPERATING TEMPERATURE

-55°C ~ +85°C



DWG



PCB LAYOUT

# Miniature Card Socket

101-00272-\*\*

## Mega SIM Socket, Reverse Type



**MATERIAL**

HSG : HIGH TEMPERATURE THERMOPLASTIC  
 CONTACT : COPPER ALLOY  
 SHELL : STAINLESS STEEL

**RATING**

CURRENT RATING : 0.5 A AC/DC Max  
 RATED VOLT- 5.0 vrms

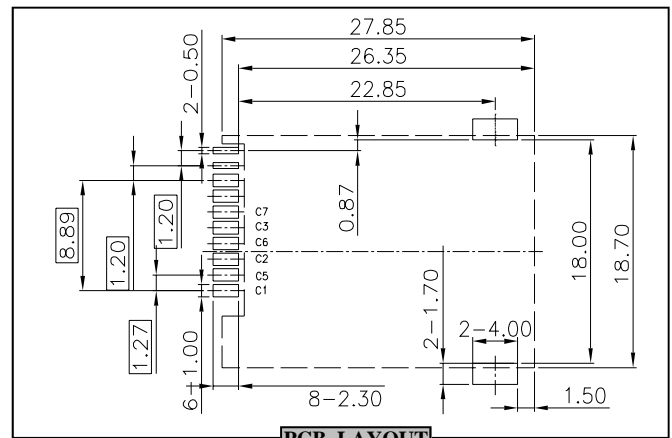
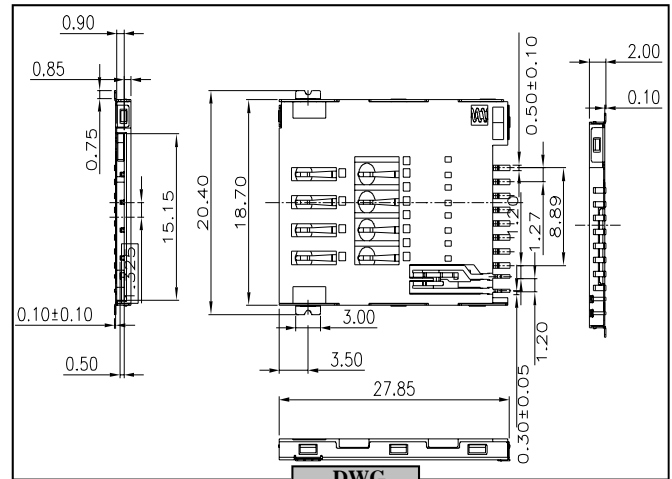
**ELECTRICAL**

CONTACT RESISTANCE : 100 mΩ Max.  
 INSULATION RESISTANCE : 1000 MΩ Max.  
 DIELECTRIC WITHSTANDING VOLTAGE : 250 VAC/RMS

**OPERATING TEMPERATURE**

-55°C ~ + 85°C

## Push in-Pull out



101-00306-\*\*

## SIM Socket, Normal Type , W/ Switch ( 6 pin)



**MATERIAL**

HSG : HIGH TEMPERATURE THERMOPLASTIC  
 CONTACT : COPPER ALLOY  
 SHELL : STAINLESS STEEL

**RATING**

CURRENT RATING : 0.5 A AC/DC Max  
 RATED VOLT- 5.0 vrms  
 AGE : 250 VAC

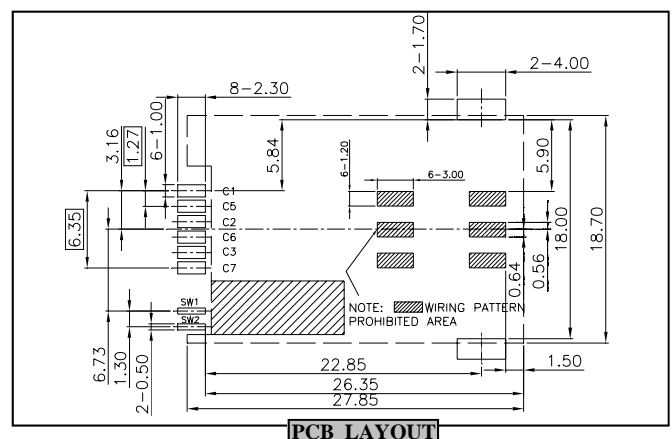
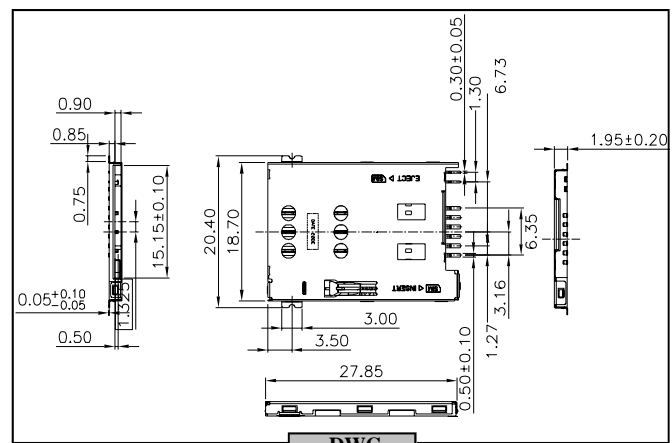
**ELECTRICAL**

CONTACT RESISTANCE : 100 mΩ Max.  
 INSULATION RESISTANCE : 1000 MΩ Max.  
 DIELECTRIC WITHSTANDING VOLTAGE : 250 VAC/RMS

**OPERATING TEMPERATURE**

-55°C ~ + 85°C

## Push in-Push out

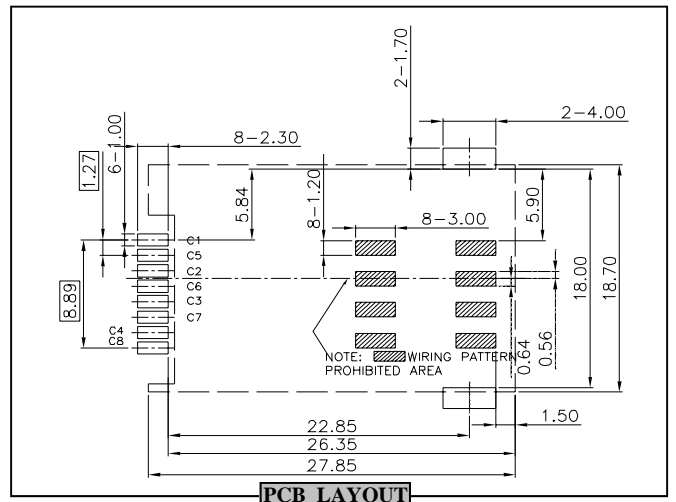
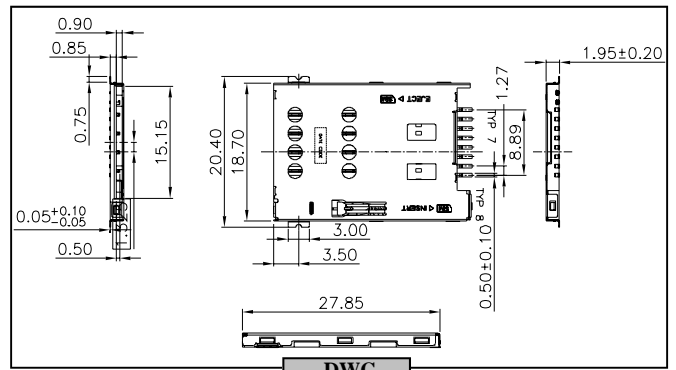


# Miniature Card Socket

101-00309-\*\*

## Mega SIM Socket, Normal Type

Push in-Pull out



MATERIAL

HSG : HIGH TEMPERATURE THERMOPLASTIC  
 CONTACT : COPPER ALLOY  
 SHELL : STAINLESS STEEL

RATING

CURRENT RATING : 0.5 A AC/DC Max  
 RATED VOLT- 5.0 vrms

ELECTRICAL

CONTACT RESISTANCE : 100 mΩ Max.  
 INSULATION RESISTANCE : 1000 MΩ Max.  
 DIELECTRIC WITHSTANDING VOLTAGE : 250 VAC/RMS

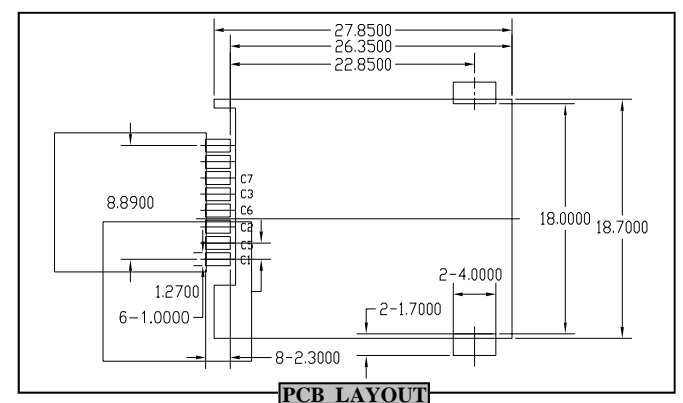
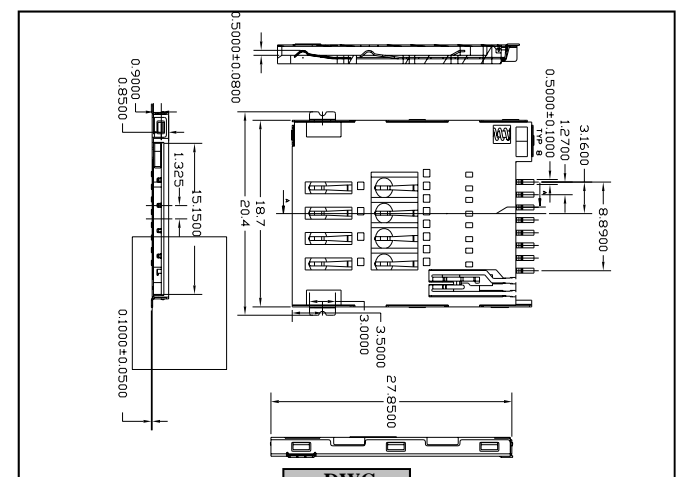
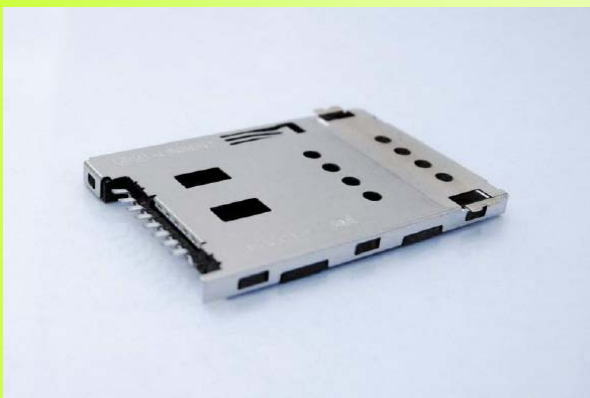
OPERATING TEMPERATURE

-55°C ~ +85°C

101-00364-\*\*

## Mega SIM Socket, Normal Type

Push in-Pull out



MATERIAL

HSG : HIGH TEMPERATURE THERMOPLASTIC  
 CONTACT : COPPER ALLOY  
 SHELL : STAINLESS STEEL

RATING

CURRENT RATING : 0.5 A AC/DC Max  
 RATED VOLT- 5.0 vrms  
 AGE : 250 VAC

ELECTRICAL

CONTACT RESISTANCE : 100 mΩ Max.  
 INSULATION RESISTANCE : 1000 MΩ Max.  
 DIELECTRIC WITHSTANDING VOLTAGE : 250 VAC/RMS

OPERATING TEMPERATURE

-55°C ~ +85°C

# Miniature Card Socket

101-00365-\*\*

## SIM Socket, Reverse Type



### MATERIAL

HSG : HIGH TEMPERATURE THERMOPLASTIC  
 CONTACT : COPPER ALLOY  
 SHELL : STAINLESS STEEL

### RATING

CURRENT RATING : 0.5 A AC/DC Max  
 RATED VOLT-AGE : 250 VAC 5.0 vrms

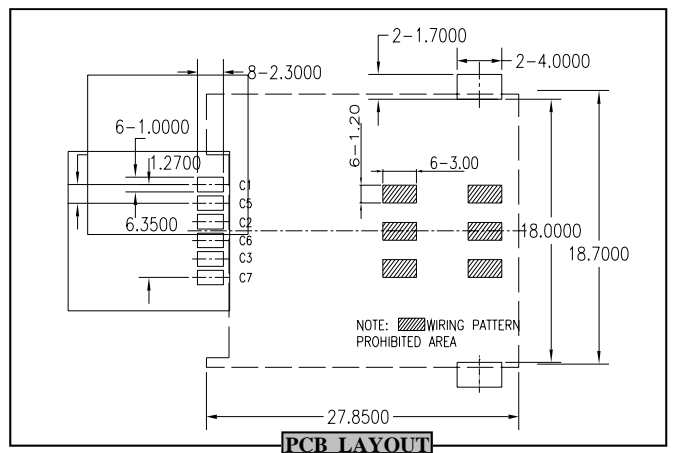
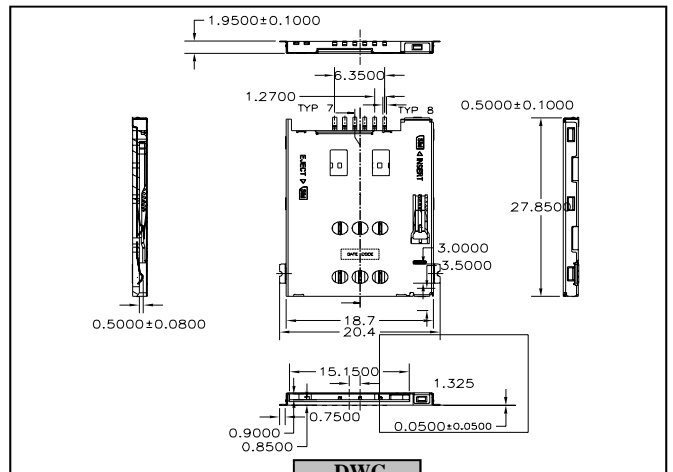
### ELECTRICAL

CONTACT RESISTANCE : 100 mΩ Max.  
 INSULATION RESISTANCE : 1000 MΩ Max.  
 DIELECTRIC WITHSTANDING VOLTAGE : 250 VAC/RMS

### OPERATING TEMPERATURE

-55°C ~ + 85°C

## Push in-Push out



101-00586-\*\*

## SIM Socket, Normal Type(H=2.4mm)



### MATERIAL

HSG : HIGH TEMPERATURE THERMOPLASTIC  
 CONTACT : COPPER ALLOY  
 SHELL : STAINLESS STEEL

### RATING

CURRENT RATING : 0.5 A AC/DC Max  
 RATED VOLT-AGE : 250 VAC 5.0 vrms

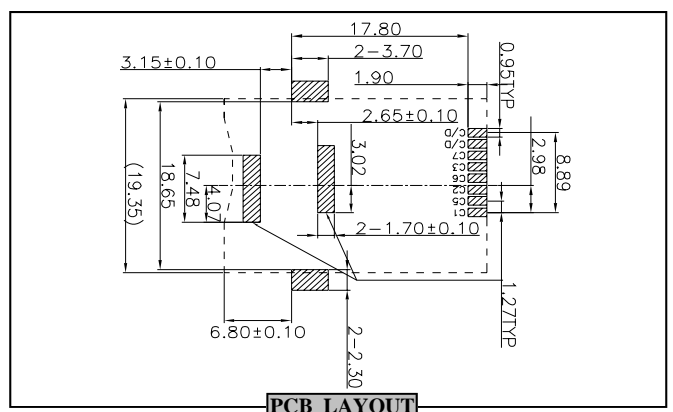
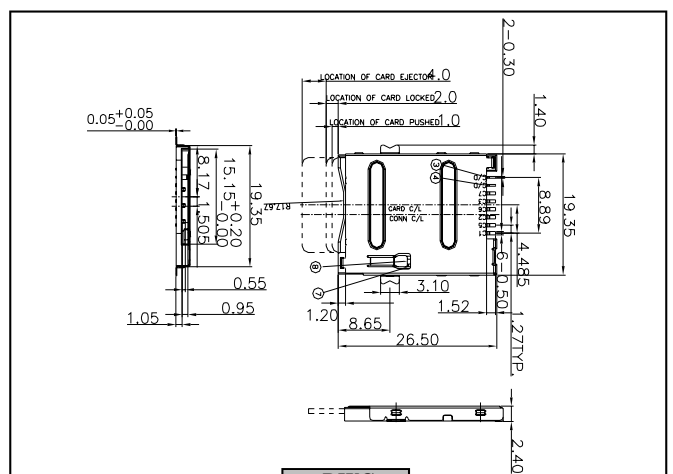
### ELECTRICAL

CONTACT RESISTANCE : 100 mΩ Max.  
 INSULATION RESISTANCE : 1000 MΩ Max.  
 DIELECTRIC WITHSTANDING VOLTAGE : 250 VAC/RMS

### OPERATING TEMPERATURE

-55°C ~ + 85°C

## Push in-Push out





# Adapter Socket

106-00069-\*\*

## Mini-SD to SD Adapter



### MATERIAL

HSG : HIGH TEMPERATURE THERMOPLASTIC  
CONTACT : COPPER ALLOY

### RATING

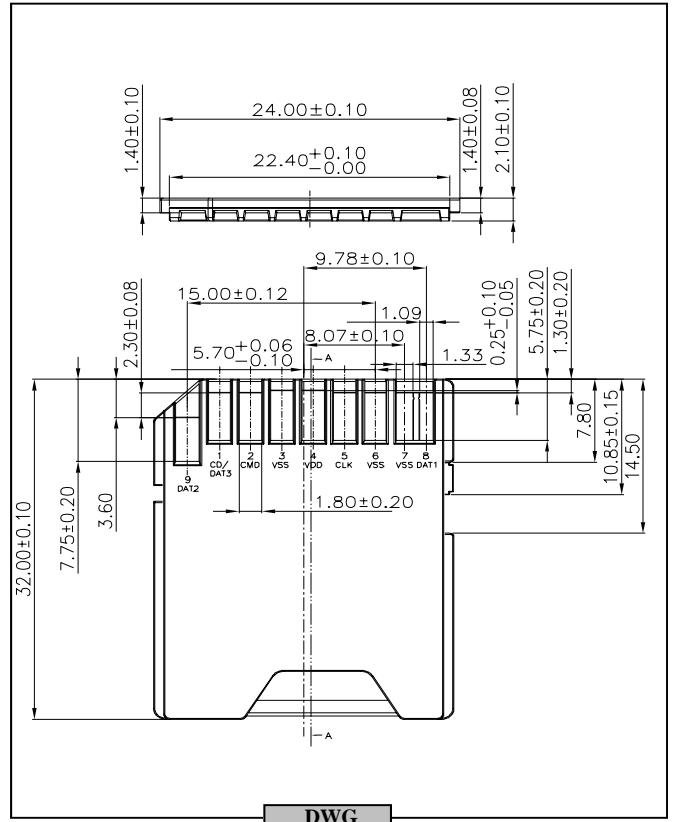
CURRENT RATING : 1 A AC/DC Max  
RATED VOLTAGE : 500 V RMS Min.

### ELECTRICAL

CONTACT RESISTANCE : 100 mΩ Max.  
INSULATION RESISTANCE : 1000 MΩ Max.  
DIELECTRIC WITHSTANDING VOLTAGE : 500 VAC/RMS

### OPERATING TEMPERATURE

-25°C ~ + 85°C



106-00120-\*\*

## Mini-SD to SD Adapter



### MATERIAL

HSG : HIGH TEMPERATURE THERMOPLASTIC  
CONTACT : COPPER ALLOY

### RATING

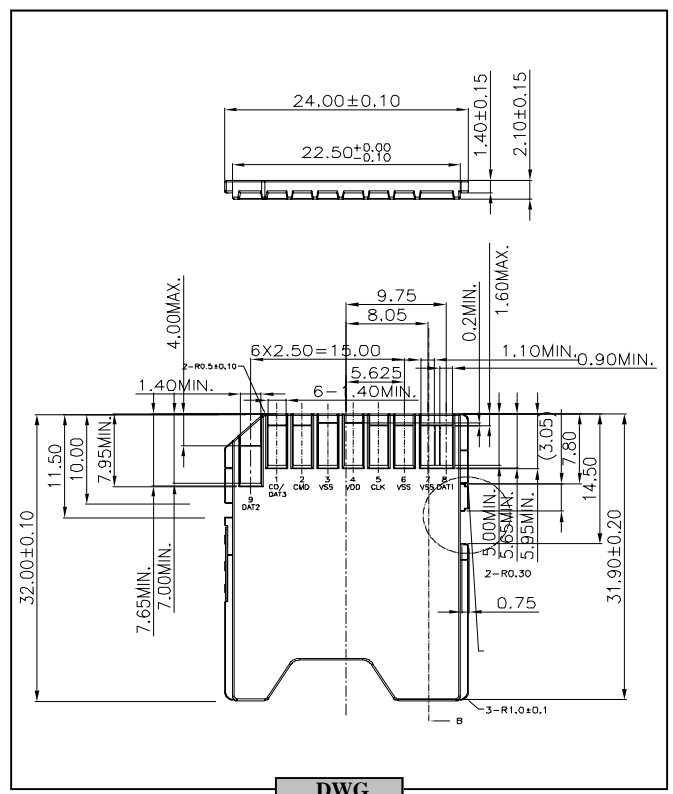
CURRENT RATING : 1 A AC/DC Max  
RATED VOLT- 500 V RMS Min.

### ELECTRICAL

CONTACT RESISTANCE : 100 mΩ Max.  
INSULATION RESISTANCE : 1000 MΩ Max.  
DIELECTRIC WITHSTANDING VOLTAGE : 500 VAC/RMS

### OPERATING TEMPERATURE

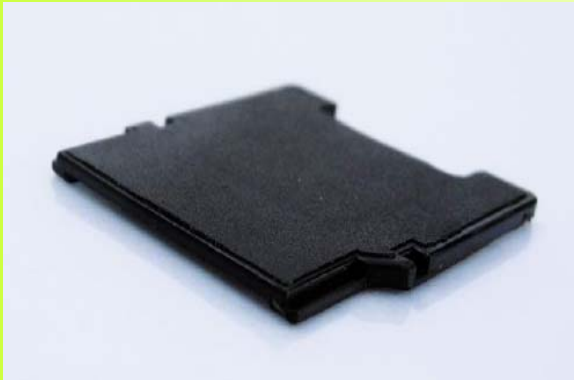
-25°C ~ + 85°C



# Adapter Socket

106-00330

## Micro-SD to mini-SD Adapter



**MATERIAL**

HSG : HIGH TEMPERATURE THERMOPLASTIC  
CONTACT : COPPER ALLOY

**RATING**

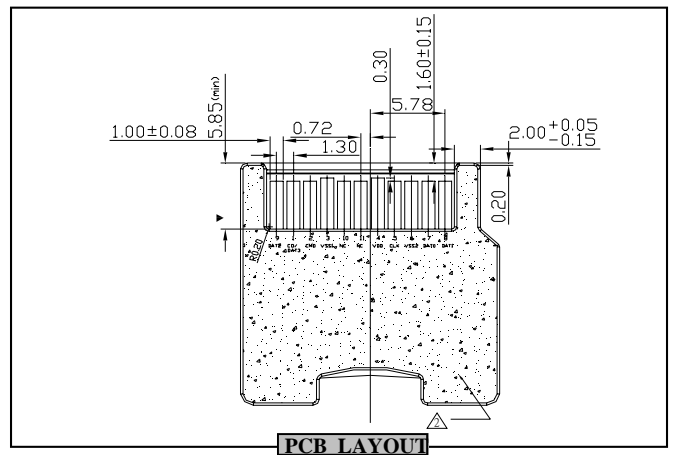
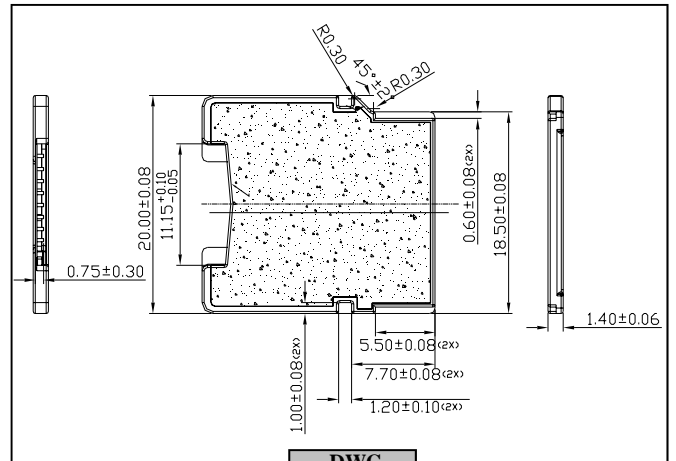
CURRENT RATING : 1 A AC/DC Max  
RATED VOLT- 500 V RMS Min.

**ELECTRICAL**

CONTACT RESISTANCE : 100 mΩ Max.  
INSULATION RESISTANCE : 1000 MΩ Max.  
DIELECTRIC WITHSTANDING VOLTAGE : 500 VAC/RMS

**OPERATING TEMPERATURE**

-25°C ~ + 85°C



106-00351

## Micro-SD to SD Adapter



**MATERIAL**

HSG : HIGH TEMPERATURE THERMOPLASTIC  
CONTACT : COPPER ALLOY

**RATING**

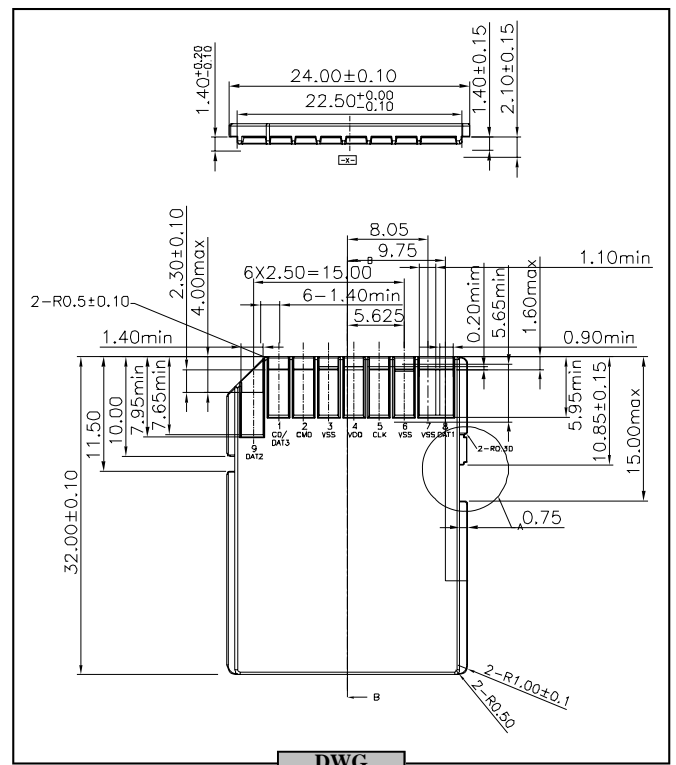
CURRENT RATING : 1 A AC/DC Max  
RATED VOLTAGE : 500 V RMS Min.

**ELECTRICAL**

CONTACT RESISTANCE : 100 mΩ Max.  
INSULATION RESISTANCE : 1000 MΩ Max.  
DIELECTRIC WITHSTANDING VOLTAGE : 500 VAC/RMS

**OPERATING TEMPERATURE**

-25°C ~ + 85°C



**105-00208-\*\***

## MMI Connector, Cable-end Plug



**MATERIAL**

HSG : HIGH TEMPERATURE THERMOPLASTIC  
CONTACT : COPPER ALLOY

**RATING**

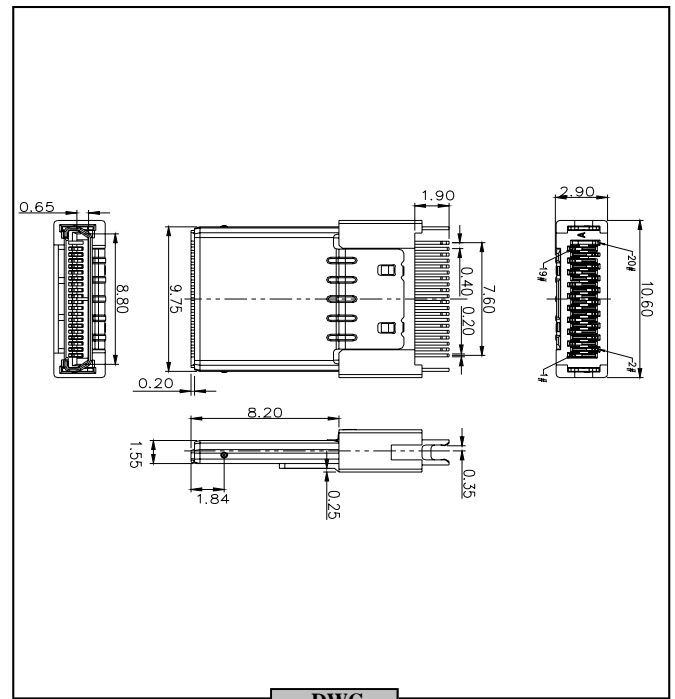
CURRENT RATING : 1 A AC/DC Max  
RATED VOLT- 100 VAC

**ELECTRICAL**

CONTACT RESISTANCE : 100 mΩ Max.  
INSULATION RESISTANCE : 1000 MΩ Max.  
DIELECTRIC WITHSTANDING VOLTAGE : 500 VAC/RMS

**OPERATING TEMPERATURE**

-55°C ~ + 105°C



**105-00210-\*\***

## MMI Connector, Board mount Receptacle



**MATERIAL**

HSG : HIGH TEMPERATURE THERMOPLASTIC  
CONTACT : COPPER ALLOY

**RATING**

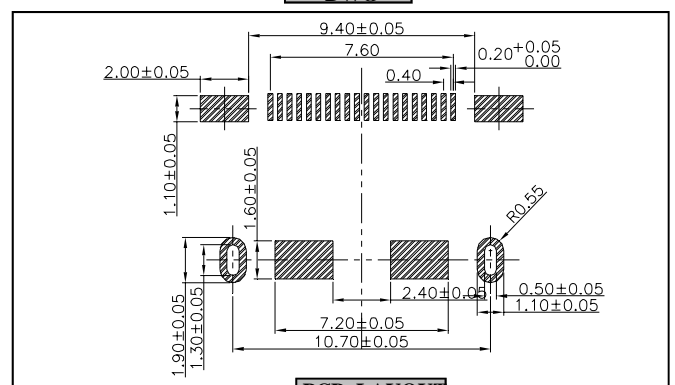
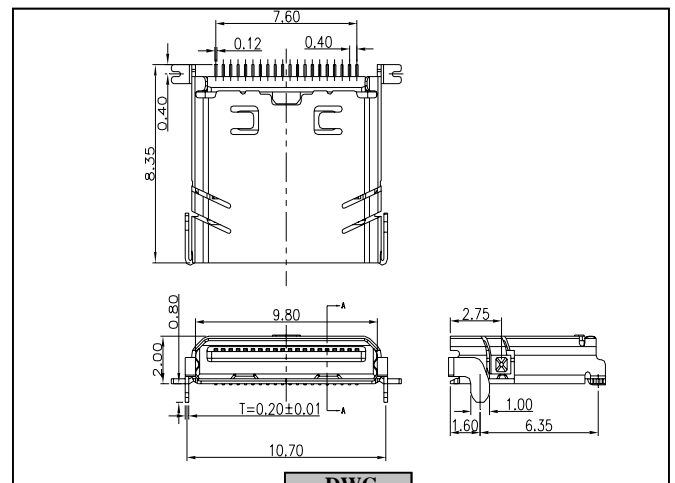
CURRENT RATING : 1 A AC/DC Max  
RATED VOLT- 100 VAC

**ELECTRICAL**

CONTACT RESISTANCE : 100 mΩ Max.  
INSULATION RESISTANCE : 1000 MΩ Max.  
DIELECTRIC WITHSTANDING VOLTAGE : 500 VAC/RMS

**OPERATING TEMPERATURE**

-55°C ~ + 105°C



**105-00321-\*\***

## Mini-USB



**MATERIAL**

- HSG : HIGH TEMPERATURE THERMOPLASTIC
- CONTACT : COPPER ALLOY
- SHELL : COPPER ALLOY

**RATING**

- CURRENT RATING : 1.5 A mp
- RATED VOLT-AGE : 50 VAC

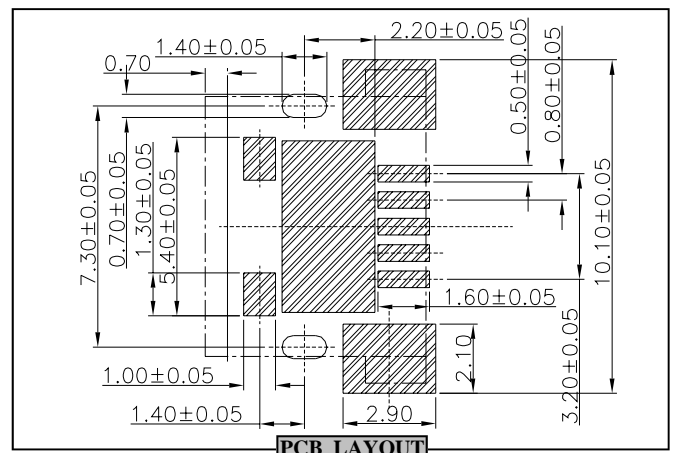
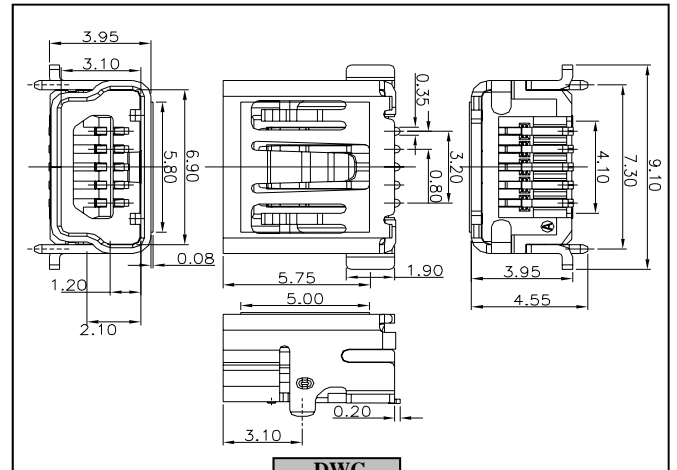
**ELECTRICAL**

- CONTACT RESISTANCE : 50 mΩ Max.
- INSULATION RESISTANCE : 1000 MΩ Max.
- DIELECTRIC WITHSTANDING VOLTAGE : 500 VAC/RMS

**OPERATING TEMPERATURE**

-40°C ~ +85°C

## Ultra Short Type



**105-00569-\*\***

## Micro-USB



**MATERIAL**

- HSG : HIGH TEMPERATURE THERMOPLASTIC
- CONTACT : COPPER ALLOY
- SHELL : COPPER ALLOY

**RATING**

- CURRENT RATING : 1.5 A mp
- RATED VOLT- 50 VAC

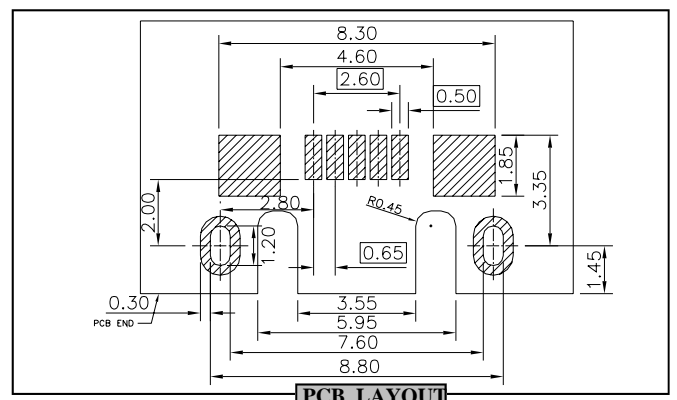
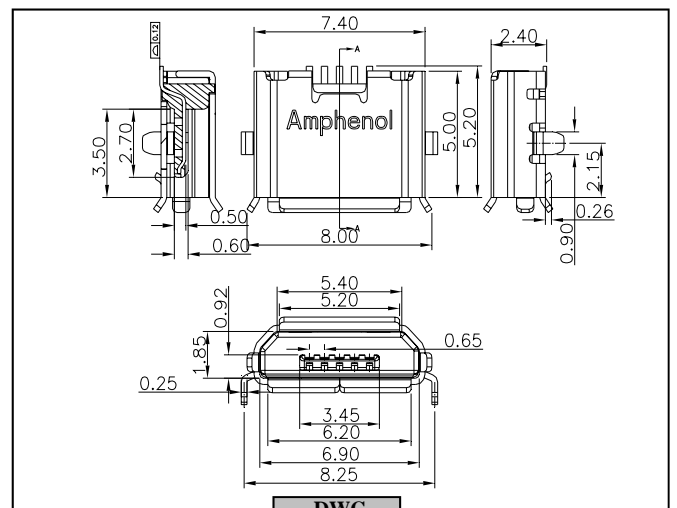
**ELECTRICAL**

- CONTACT RESISTANCE : 30 mΩ Max.
- INSULATION RESISTANCE : 1000 MΩ Max.
- DIELECTRIC WITHSTANDING VOLTAGE : 500 VAC/RMS

**OPERATING TEMPERATURE**

-30°C ~ +85°C

## Reverse Type



108-00671-64

Mini Express Conn.

Normal Type

MATERIAL

HSG : HIGH TEMPERATURE THERMOPLASTIC
CONTACT : COPPER ALLOY

RATING

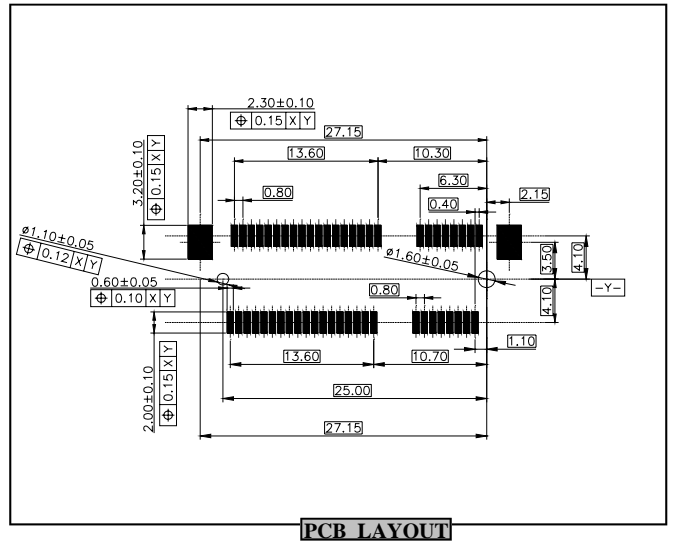
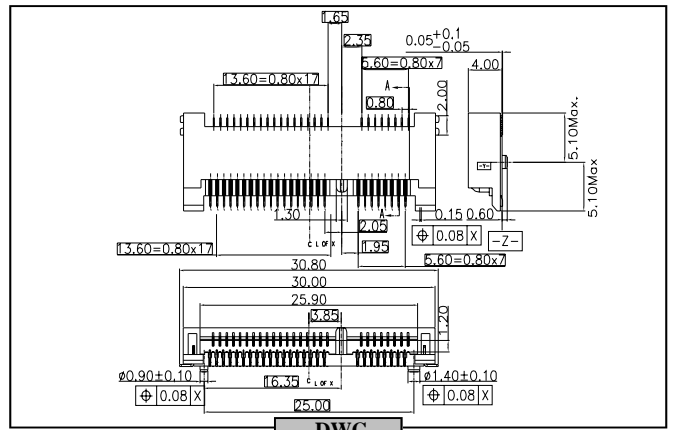
CURRENT RATING : 1 Amp
RATED VOLT-AGE : 100 VAC

ELECTRICAL

CONTACT RESISTANCE : 100 mΩ Max.
INSULATION RESISTANCE : 1000 MΩ Max.
DIELECTRIC WITHSTANDING VOLTAGE : 500 VAC/RMS

OPERATING TEMPERATURE

-55°C ~ + 105°C



Wafer Series 3.5 / 4.0 / 13.0

SMT / DIP Type

MATERIAL

HSG : HIGH TEMPERATURE THERMOPLASTIC
CONTACT : COPPER ALLOY

RATING

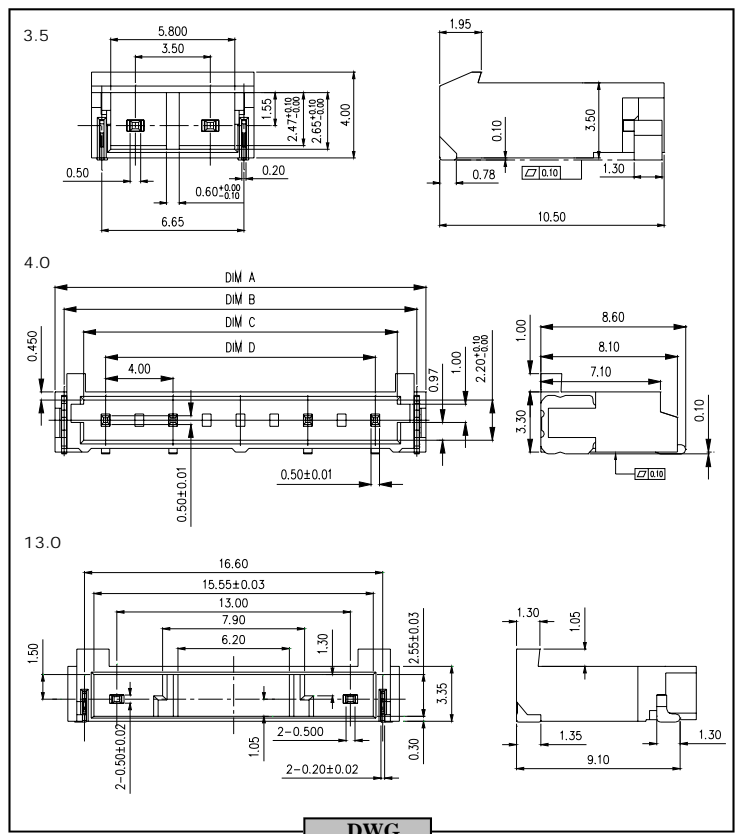
CURRENT RATING : 2 Amp
RATED VOLTAGE : 650 VAC

ELECTRICAL

CONTACT RESISTANCE : 100 mΩ Max.
INSULATION RESISTANCE : 1000 MΩ Max.
DIELECTRIC WITHSTANDING VOLTAGE : 500 VAC/RMS

OPERATING TEMPERATURE

-55°C ~ + 105°C



## X-ON Electronics

Largest Supplier of Electrical and Electronic Components

*Click to view similar products for [Memory Card Connectors](#) category:*

*Click to view products by [Amphenol](#) manufacturer:*

Other Similar products are found below :

[M21-033321-005](#) [6407-249V-25273P](#) [6407-249V-25343P](#) [6426-201-21343](#) [69.920.0553.0](#) [FCN-568P068-G/07-4V](#) [809180410000000](#)  
[N7E50-7516PG-20-WF](#) [21920-5](#) [2041353-2](#) [33CFAE-DN](#) [502431-1011](#) [EN2997S61212BN](#) [EN2997SE61212BN](#) [617230001](#) [95622-003LF](#)  
[95079-00CALF](#) [84648-056HLF](#) [68-580163-21S](#) [33DVIR-29S12R](#) [125A-78C00](#) [MI20A-50PD-SF-EJL\(71\)](#) [KP10S-SF-PEJ\(812\)](#) [504536-](#)  
[0691](#) [504580-0691](#) [CCM03-3109 B LFT](#) [2309923-1](#) [61126-050CAHLF](#) [G85DT17001P1EU](#) [G85B21611142HHR](#) [GSD090144HR](#)  
[G85D1140022P1HR](#) [GMCB05801124EU](#) [112K-TAA0-RA1](#) [115S-ACA2](#) [115S-ACA3](#) [115S-BS00](#) [115S-BT00](#) [115V-AD00](#) [MCSP-Q1-08-](#)  
[A-SG-T/R](#) [503960-0695](#) [101B-TAA0-R](#) [101D-TAAA-R01](#) [101D-TAAB-R01](#) [104D-TCA0-R06](#) [104B-TAA0-R](#) [112C-TBAR-R02](#) [114B-](#)  
[40B00-R02](#) [112G-TA00-R](#) [112J-TDAR-R01](#)