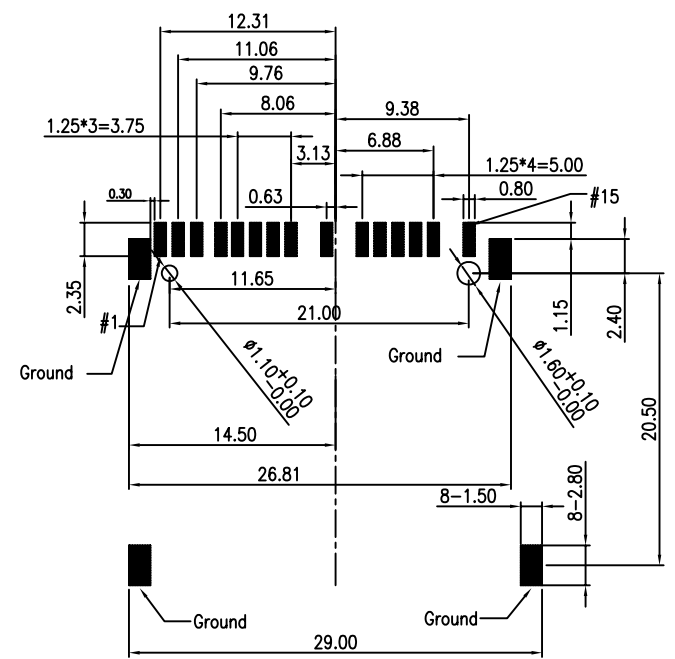
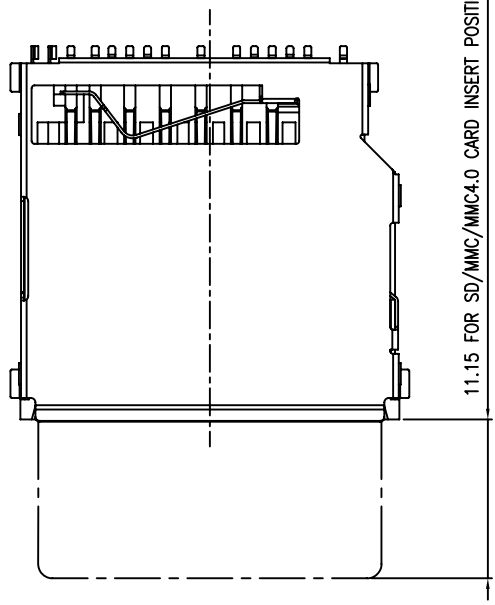
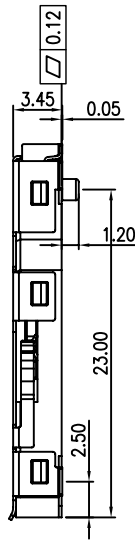
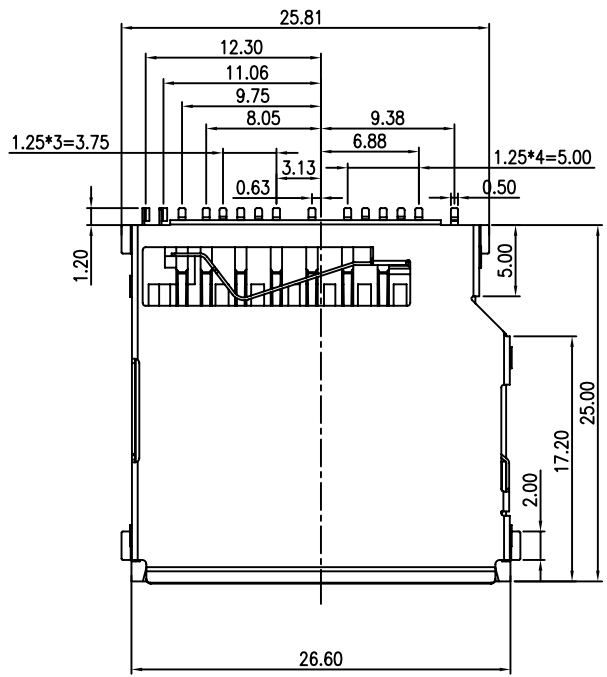
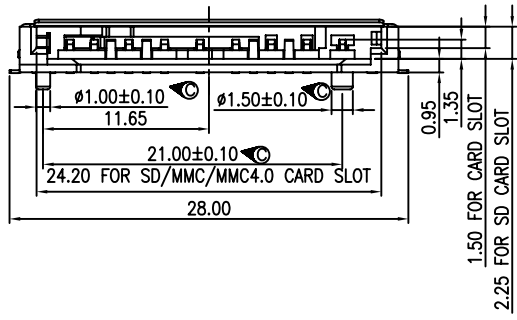


REV.	ECN.NO.	MODIFY.CONTENT	DATE
A	ES.D0804.012	first edition issuance	2008/4/1
B	ECN12110270	Add tape reel package part no	2012/11/15
C	XXXXXX	MOLDIFIED TOLERANCE	2014/07/23

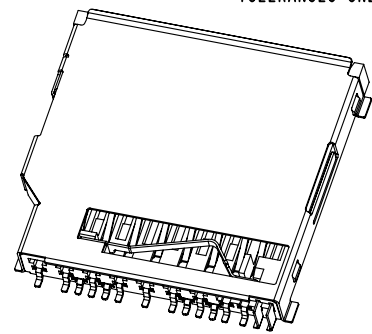
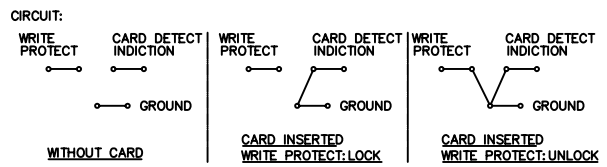


RECOMMENDED P.C. BOARD LAYOUT(TOP VIEW)  
TOLERANCES UNLESS OTHERWISE SPEC.±0.05



- 10100565\*\* \*
- 1- Default: Tray package
  - 2- Tape Reel package ⊕
- 64: Contact Area: 1u", Solder Tail: Tin 100u"
  - 65: Contact Area: 3u", Solder Tail: Tin 100u"
  - 66: Contact Area: 5u", Solder Tail: Tin 100u"
  - 67: Contact Area: 10u", Solder Tail: Tin 100u"
  - 68: Contact Area: 15u", Solder Tail: Tin 100u"

- Notes:
- All Dimensions are in Millimeters.
  - Operation voltage: 100 VAC max.
  - Current rating : 1 Amps max.
  - Contact resistance: 40m ohms max.
  - Insulation resistance: 1000M ohms min. 500 VDC
  - Dielectric withstanding voltage: 500 VAC / 1minute
  - Operating Temperature: -20°C to +60°C
  - Storage Temperature: -40°C to +70°C
  - Total Mating Force : 40N (MAX) at 25 mm/minute
  - Total Unmating Force: 2N (MIN) at 25 mm/minute



NO.	SIGNALS FUNCTION	SD/MMC4.0
#1	WP SW	SD
#2	CD SW	SD
#3	DAT1 (Data 1)	SD-8
#4	DAT0 (Data 0)	SD-7
#5	DAT7 (Data 7)	MMC-13
#6	GND/VSS 2	SD-6
#7	DAT6 (Data 6)	MMC-12
#8	CLK	SD-5
#9	VCC/VDD	SD-4
#10	VSS 1	SD-3
#11	DAT5(Data 5)	MMC-11
#12	CMD	SD-2
#13	DAT4(Data 4)	MMC-10
#14	DAT3(Data 3)	SD-1
#15	DAT2(Data 2)	SD-9

GENERAL TOLERANCE	FILE.NO.	10100565	PART.NO.	10100565**	DRAWN	LEO.ZENG	MATERIAL	SCALE	no scale	
X.±0.50	REV.	C	TITLE	SD+MMC+MMC4.0 Conn.	CHECKED		DATE	2014.07.23	UNIT	mm
.X±0.38	SIZE	A4	SHEET	1 OF 1	APPROVED		Amphenol Shouh Min Industry			
.XX±0.25	A4									

## X-ON Electronics

Largest Supplier of Electrical and Electronic Components

*Click to view similar products for [Memory Card Connectors](#) category:*

*Click to view products by [Amphenol](#) manufacturer:*

Other Similar products are found below :

[M21-033321-005](#) [6407-249V-25273P](#) [6407-249V-25343P](#) [6426-201-21343](#) [69.920.0553.0](#) [FCN-568P068-G/07-4V](#) [809180410000000](#)  
[N7E50-7516PG-20-WF](#) [2041353-2](#) [33CFAE-DN](#) [502431-1011](#) [EN2997S61212BN](#) [EN2997SE61212BN](#) [95622-003LF](#) [95079-00CALF](#) [68-580163-21S](#) [33DVIR-29S12R](#) [125A-78C00](#) [MI20A-50PD-SF-EJL\(71\)](#) [KP10S-SF-PEJ\(812\)](#) [504536-0691](#) [504580-0691](#) [CCM03-3109 B LFT](#)  
[2309923-1](#) [61126-050CAHLF](#) [IC1GA-68PD-1.27DS-EJ\(72\)](#) [GTFP08432B1HR](#) [G85DT17001P1EU](#) [G85B21611142HHR](#) [GSD090144HR](#)  
[G85D1140022P1HR](#) [GMCB05801124EU](#) [G85C11101152HHR](#) [G85B231021B1HR](#) [G85D1160022HHR](#) [112K-TAA0-RA1](#) [115S-ACA2](#)  
[115S-ACA3](#) [115S-BS00](#) [115S-BT00](#) [115V-AD00](#) [MCSP-Q1-08-A-SG-T/R](#) [503960-0695](#) [101B-TAA0-R](#) [101D-TAAA-R01](#) [101D-TAAB-R01](#) [104D-TCA0-R06](#) [104B-TAA0-R](#) [112C-TBAR-R02](#) [114B-40B00-R02](#)