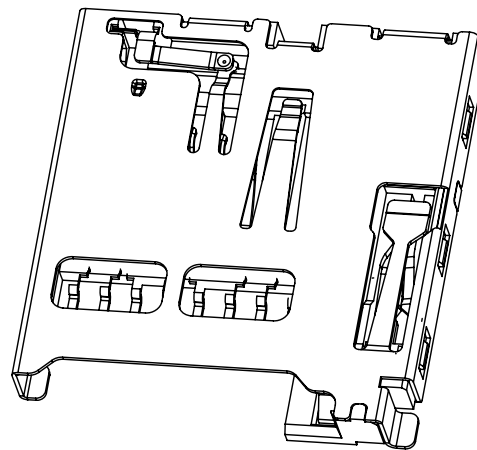


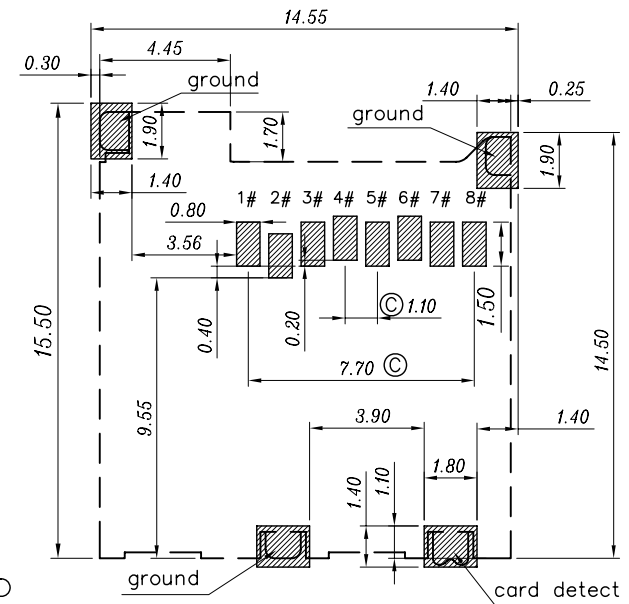
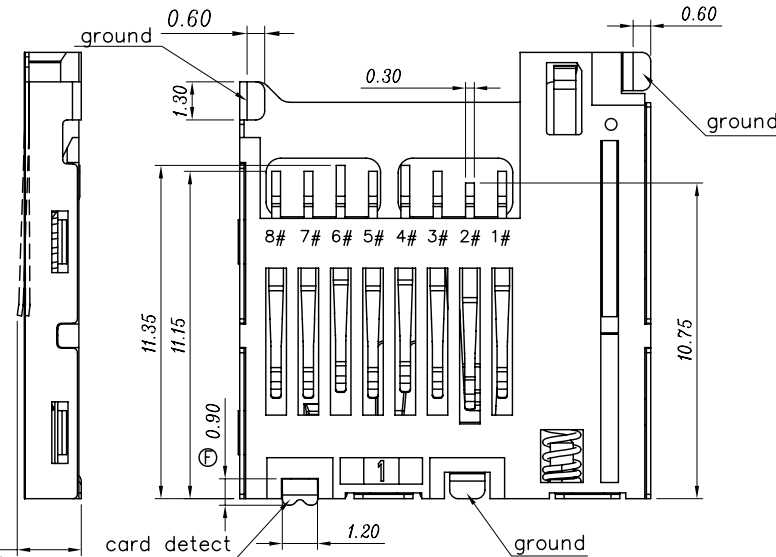
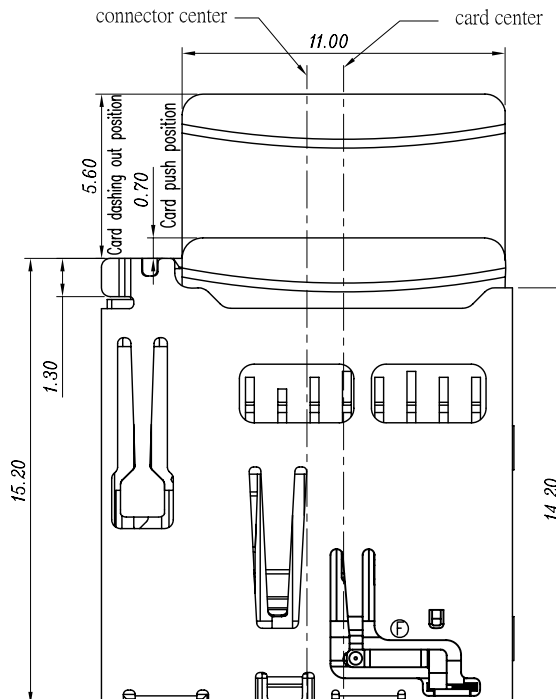
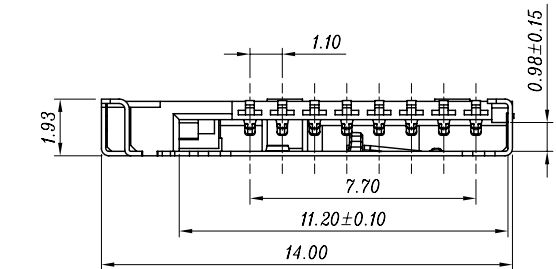
MicroSD Definition

PIN NO.	FUNCTION
1	DATA LINE(BIT 2)
2	CARD DETECT/DATA LINE(BIT 3)
3	COMMAND RESPONSE
4	SUPPLY VOLTAGE
5	CLOCK
6	SUPPLY VOLTAGE GROUND
7	DATA LINE(BIT 0)
8	DATA LINE(BIT 1)

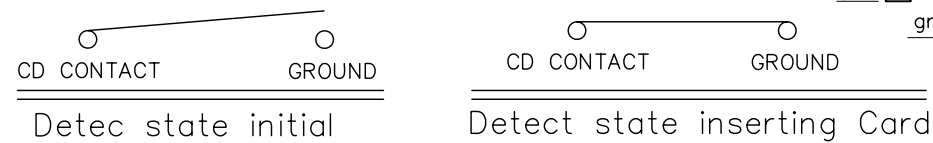


REV.	ECN.NO.	MODIFY.CONTENT	DATE
E	ECN10101199	Add part No. for Matte Tin (E)	10/22/2010
F	ECN12050204	Change ground contact structure	9/19/2012
G	ECN12100246	Add part No. for (C)	10/10/2012

- Notes:
- All Dimensions are in Millimeters.
  - Material:
    - Housing:LCP Color:black
    - Contact:Phosphor Bronze.
    - Tin 160u" at Solder Tail,
    - Selected Gold on Contact Area Plating.
  - Specification:
    - Electrical Characteristics:
      - Contact Resistance: 100mΩ Max.
      - Dielectric Withstanding Voltage: 500VAC Max With i Minute
    - Insulation Resistance:1000 MΩ Min.
    - Current Rating: 0.5A AC/DC Max.
    - Mechanical Characteristics:
      - Mating Force: 30N Max.
      - Unmating Force : 1~30N.
      - Contact Retation Force: 100g Min. Per Pin.
    - Operating Temperature: -25°C~+85°C
    - Storage Temperature:-40°C~+85°C
  - 本产品的环境物质含量符合欧盟RoHS指令, ASMI的产品与材料环境物质限制管制规范(WI-QA-002(1)/(2))最新版本及最终客户要求.



(1) 10100660 \*\*\*  
 6: Reel  
 64: Contact area 1u", Solder tail Sn 100u"  
 68: Contact area 15u", Solder tail Sn 100u"  
 (E) 75: Contact area 15u", Solder tail Matte Sn 100u"  
 (2) 10100660756-1  
 Customer Inventec 专用料号



RECOMMENDED PCB LAYOUT  
 (ALL TOLERANCE IS 0.05)  
 STEEL BOARD T=0.12MM(MIN)

GENERAL	TOLERANCE	FILE.NO.	10100660	PART.NO.	10100660***	DRAWN	Jimmy.Deng	MATERIAL	SCALE	4:1	
X.±0.50	x.±5°	REV.	G	TITLE	microSD push push connector(9Pin)-II	CHECKED		DATE	10/10/2012	UNIT	MM
.X±0.38	.x±2°	SIZE	A4	SHEET	1 OF 1	APPROVED		Amphenol Shouh Min Industry			
.XX±0.25	.xx±1°										

## X-ON Electronics

Largest Supplier of Electrical and Electronic Components

*Click to view similar products for [Memory Card Connectors](#) category:*

*Click to view products by [Amphenol](#) manufacturer:*

Other Similar products are found below :

[M21-033321-005](#) [6407-249V-25273P](#) [6407-249V-25343P](#) [6426-201-21343](#) [69.920.0553.0](#) [FCN-568P068-G/07-4V](#) [809180410000000](#)  
[N7E50-7516PG-20-WF](#) [21920-5](#) [2041353-2](#) [33CFAE-DN](#) [502431-1011](#) [EN2997S61212BN](#) [EN2997SE61212BN](#) [617230001](#) [95622-003LF](#)  
[95079-00CALF](#) [84648-056HLF](#) [68-580163-21S](#) [33DVIR-29S12R](#) [125A-78C00](#) [MI20A-50PD-SF-EJL\(71\)](#) [KP10S-SF-PEJ\(812\)](#) [504536-](#)  
[0691](#) [504580-0691](#) [CCM03-3109 B LFT](#) [2309923-1](#) [61126-050CAHLF](#) [G85DT17001P1EU](#) [G85B21611142HHR](#) [GSD090144HR](#)  
[G85D1140022P1HR](#) [GMCB05801124EU](#) [112K-TAA0-RA1](#) [115S-ACA2](#) [115S-ACA3](#) [115S-BS00](#) [115S-BT00](#) [115V-AD00](#) [MCSP-Q1-08-](#)  
[A-SG-T/R](#) [503960-0695](#) [101B-TAA0-R](#) [101D-TAAA-R01](#) [101D-TAAB-R01](#) [104D-TCA0-R06](#) [104B-TAA0-R](#) [112C-TBAR-R02](#) [114B-](#)  
[40B00-R02](#) [112G-TA00-R](#) [112J-TDAR-R01](#)