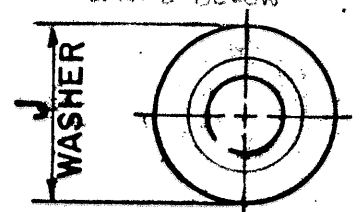
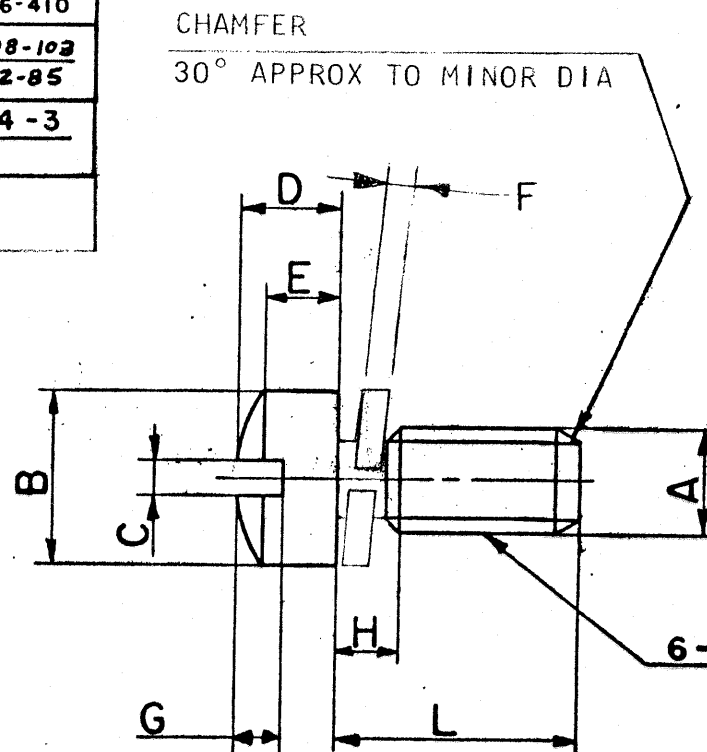


BASE NUMBER	A DIA	B DIA	C	D	E	F ±.005	G	H MAX	J DIA	L +.000 -.031	REL COM
10-101152-5	.1380 .1312	.226 .208	.048 .039	.132 .111	.096 .086	.031	.060 .045	.080	.232 .218	.312	31115-4 22380-379
-6										.375	31115-4 22380-380
-8										.500	31115-4 22380-381
-10										.625	31115-4 22380-382
-12										.750	31115-4 22380-383
-7										.438	31525-440 22446-410
-4										.250	35508-102 22752-85
-3										.188	40334-3
-13										.812	

10-101152

REL.	31115-4	WAS	DATE	D'MAN.	APPD.
1	31525-440	ADD B REL -7() & DATA	9-14-56	F. GEORGE	
2	33787-2	REV. NOTE 3, TITLE, F COL, CHAMFER NOTE, CHG PICT.	1-30-58	MOORE	
3	35525-202	COL F .018 ^{+0.010} _{-0.000} , COL J .231 _{.218}	5-16-58	BAILEY	
4	35508-102	ADD B REL -4() & DATA	11-26-58	Fairchild	
5	35508-2	ADD CAN BE MADE FROM 10-101152B.	9-16-59	A. NILES	
6	40334-3	ADD B REL -3() & DATA	8-23-62	MCHEL	
7	39525-656	ADD B REL -XX8 FINISH	7-10-63	FLYZIK	
A1	43534-2	(MFG); REV NOTES 283	11-19-64	Randall	Hayes
A2	52525-57	ADD -13 & DATA, REV NOTE 1	10-12-70	HANNI	
A3	53525-195	WAS 6-32NC (THREAD DATA); REM PURCHASED	12-11-71	BARTKOW	Hayes
A4	53524-259	ADD & REL -XXE, -XX7	2-24-72	SHEPLER	
B	70192-4	(CL II) WAS: .018 (F ±.005 COL), .225/.215 (J DIA COL); REV NOTE 3; CHGD PICT.	7/9/79	LODO-VICE	Joland
C	25151	(CL II) SEE CHANGE NOTICE	6/4/90	WASHBURN	P



K 85976	SEE ECN NUMBER 85976	1-14-59	Marshall
L 86054 (CL II)	SEE ECN: 86054	3-4-99	JED

- TO COMPLETE BASE NO. ADD APPLICABLE LAST DIGIT SUFFIX NO. FOR DESIRED FINISH:
- SCREW SHALL BE MADE OF BRASS AND MEET THE REQUIREMENTS OF FEDERAL SPEC. QQ-W-321, COMP. 260, 270, OR 274 WITH EIGHTH OR QUARTER HARD TEMPER.
- LOCKWASHER SHALL BE MADE FROM PHOSPHOR BRONZE PER ASTM B103, C51000, H08 OR ASTM B159, C51000, H08 OR TIN BRASS PER ASTM B591, C42500, H10; OR SILICON BRONZE PER ASTM B99, C65100, H04 HARDNESS ROCKWELL B90 MINIMUM AND SHALL HAVE SAME FINISH AS SCREW

- | | | |
|--|----------|-------------|
| NICKEL PLATE | 9-885 | SUFFIX-8 |
| CADMIUM PLATE CHROMATE | 9-3026 | SUFFIX-1 |
| BLACK OXIDE | 9-4260 | SUFFIX-2 |
| CADMIUM PLATE OLIVE DRAB | 9-2929 | SUFFIX-3 |
| CADMIUM PLATE, NICKEL BASE | 9-4431 | SUFFIX -XX7 |
| CHROME PLATE PER AMS 2406 (.00002-.00005 THK) OVER | | |
| NICKEL PLATE 9-885 (.0001-.0003 THK) | | SUFFIX-XXE |
| CADMIUM PLATE, CLEAR CHROMATE | 9-8598 | SUFFIX-XXW |
| BLACK ZINC ALLOY PLATE | 9-2530 | SUFFIX-XXY |
| NOTES: OLIVE-GREEN ZINC ALLOY PLATE | 9-9281 | SUFFIX-XXU |
| CADMIUM PLATE, BLACK FINISH | 9-2827 | SUFFIX-XXV |
| BLACK ZINC ALLOY CONDUCTIVE PLATE | 9-2530-1 | SUFFIX-XXX |

USE OF THIS DOCUMENT IS UNLIMITED. DOCUMENTS REFERENCED HEREON CONTAIN LIMITED RIGHTS DATA.

CAN BE MADE FROM 10-101152B

MATERIAL SPEC. SEE NOTES 2 & 3	PROCESS SPEC.	SCINTILLA MAGNETO DIVISION					TOLERANCES UNLESS OTHERWISE SPECIFIED	
		BENDIX AVIATION CORPORATION SIDNEY, N. Y., U. S. A.					DECIMALS ± .0001 FRACTIONS ± .0001 SQUARENESS .010 PER INCH OR LENGTH MACHINED SURFACES MUST BE FLAT AND PARALLEL WITHIN THE TOLERANCE OF THE APPLICABLE DIMENSION AND SMOOTH WITHIN .500 MICRO INCHES-RM.	
HEAT TREAT. SPEC.	FINISH SPEC. SEE NOTE 1	NAME SCREW, ASSEMBLED WASHER, 6-32 XL					NEXT ASSEMBLY 10-35901, 10-37103, 10-37271	
TOOL ACC.	COM. REC. 22380	D'MAN	CHECKER	MAT.	STDS	CH. D'MAN	APPROVED	SCALE
		TYLER	Burill	CP	Bibeau	Red	Wherman	NO SCALE
		4-25-55	6-16-55	5-16-55	6-17-55	6-17		REF. 10-91441 10-36080
						SUPERSEDED BY 10-101152		
						AND IS NOT INTERCHANGEABLE		

X-ON Electronics

Largest Supplier of Electrical and Electronic Components

Click to view similar products for [Circular MIL Spec Tools, Hardware & Accessories](#) *category:*

Click to view products by [Amphenol](#) *manufacturer:*

Other Similar products are found below :

[0113-201-2025](#) [600-079-06](#) [600-146-06](#) [M10-101982-143](#) [M10-101982-163](#) [M10-101983-183](#) [M10-150912-083](#) [M10-454396-008](#)
[602GB18808](#) [CS3102A-22-14PW](#) [M2887615-CD](#) [627-009](#) [M38999/9-19B](#) [630A007NF083A](#) [630B007M051A](#) [630BJ003NF032H](#) [637-](#)
[149NF04B](#) [M39029/29-215](#) [6408-203V-09273](#) [6426-201-11343](#) [650FS002NF16](#) [660-008NF14S7-01](#) [660-009M22H8-03](#) [660-013NF19U6-](#)
[210](#) [660-015M10S6-17](#) [660-015NF10S5-01](#) [660-015NF14R3.5-01](#) [660-023NF19H6-19](#) [660-024NF11S12-01](#) [660-024NF11S3-01](#) [660-](#)
[024NF17S4-109](#) [660-050XM17F4-01](#) [660-068NF25R6-30G](#) [660-070M23S8-04](#) [660-073MTCH9-20](#) [M83723/61-18W](#) [M83723/61-218R](#)
[M83723/61-224W](#) [667-084-23C](#) [667-084-35C](#) [667-224NF16](#) [687-697NF-1](#) [M85049/94-10-A](#) [M85049/96-7-A](#) [M855282-10A01A](#)
[M85528/2-10B](#) [M855282-18A01A](#) [M85528/2-22A01A](#) [M85528/2-22AA](#) [710HS460NF2508](#)