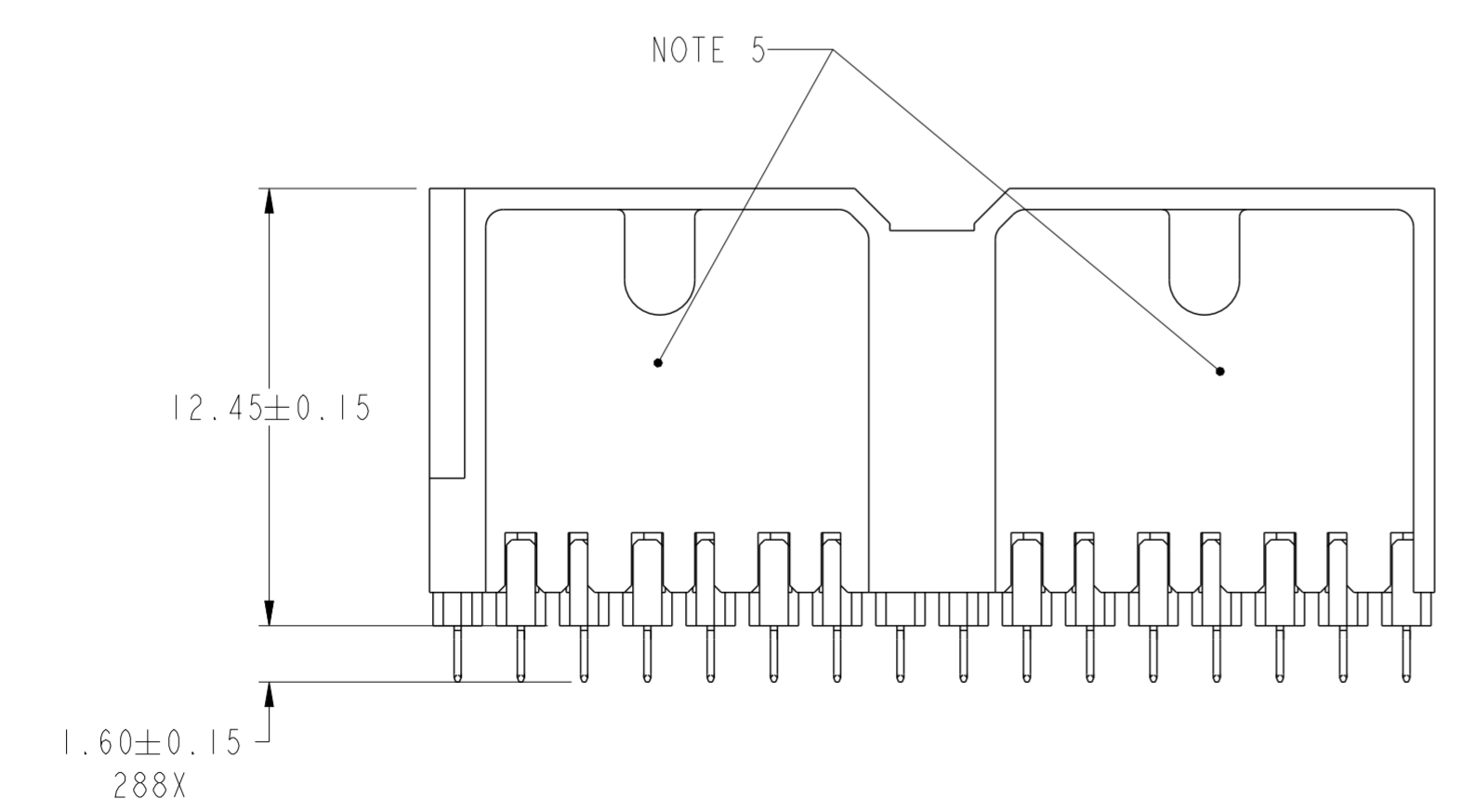
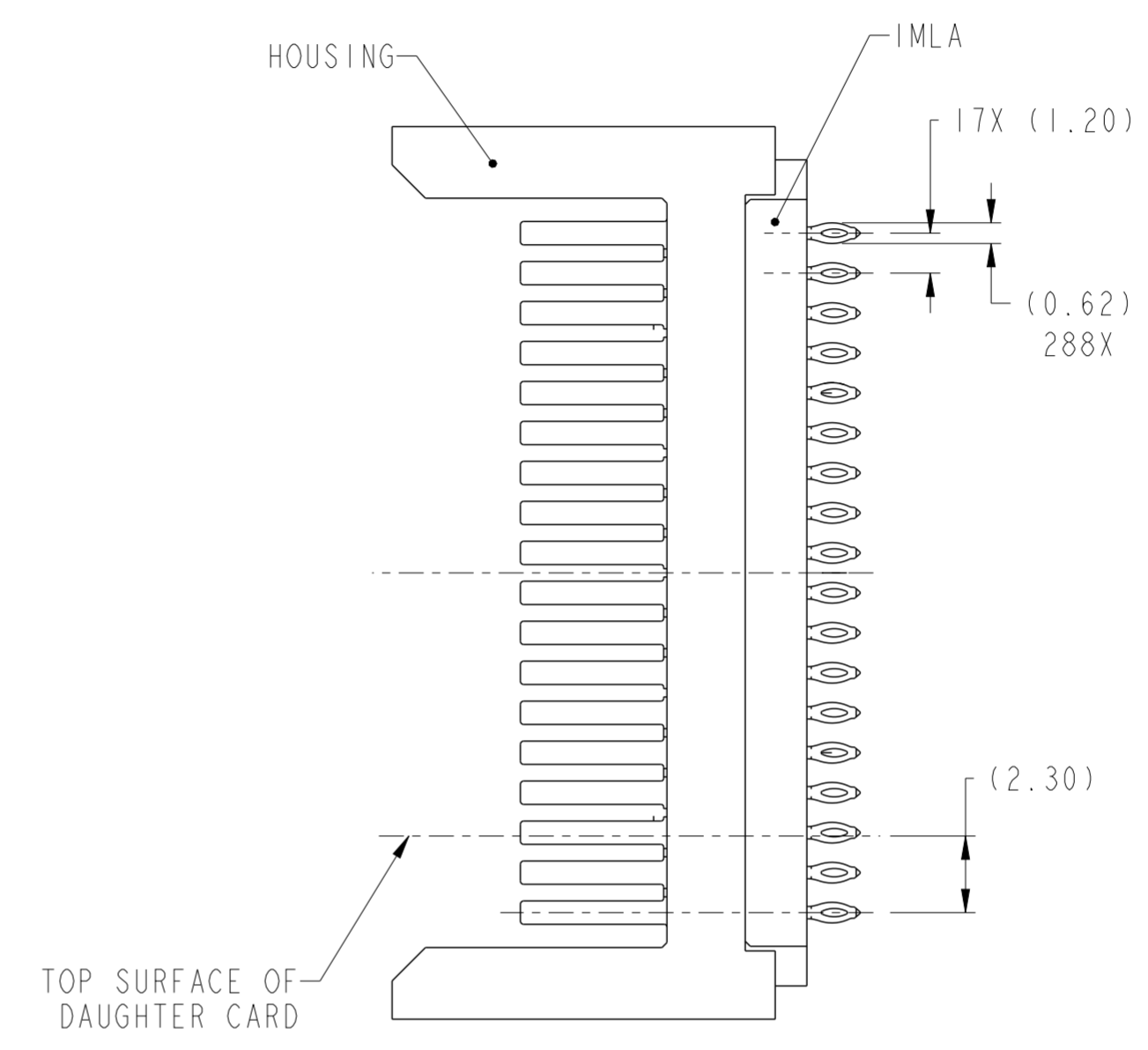
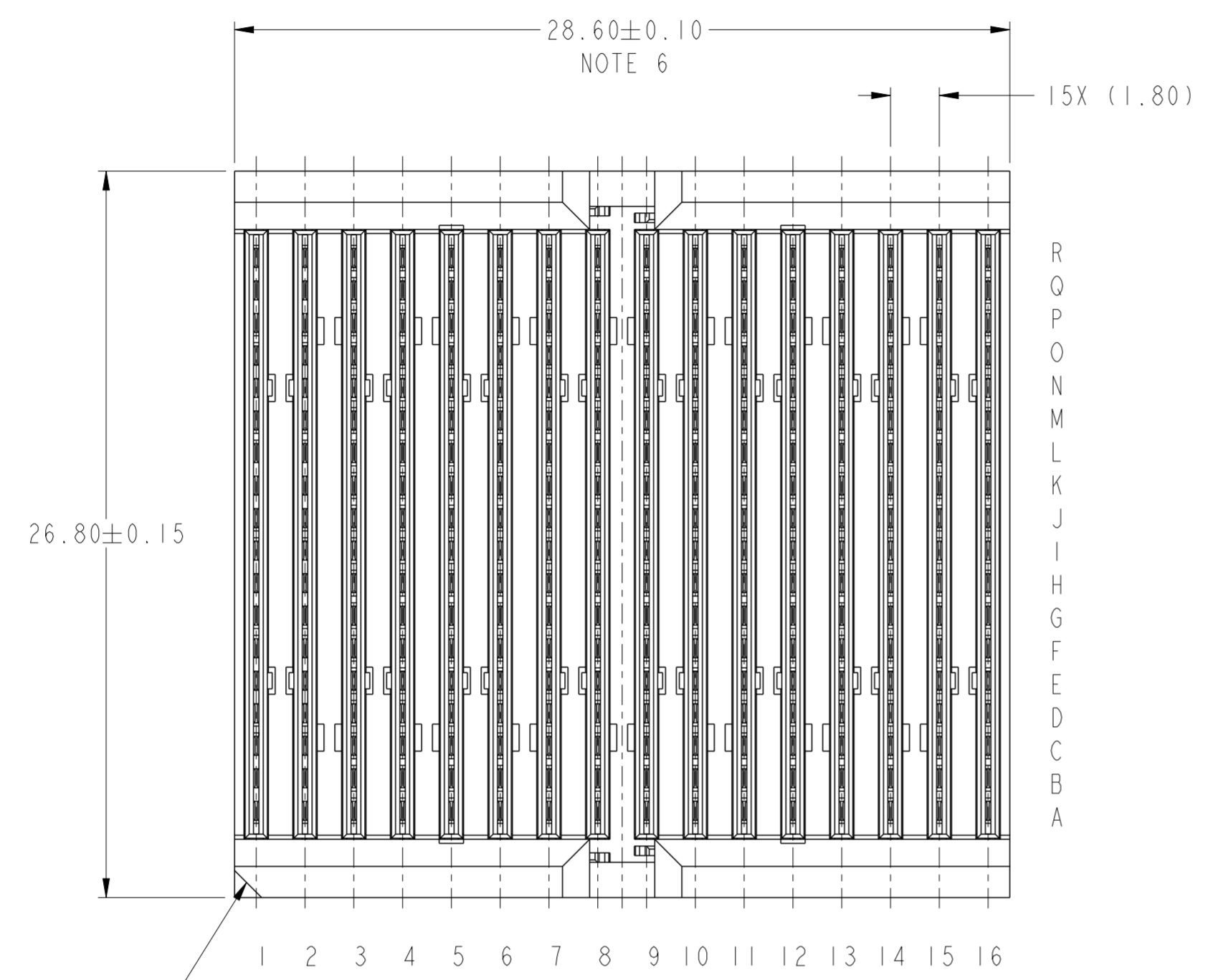


Product number
SEE TABLE, SHT 3



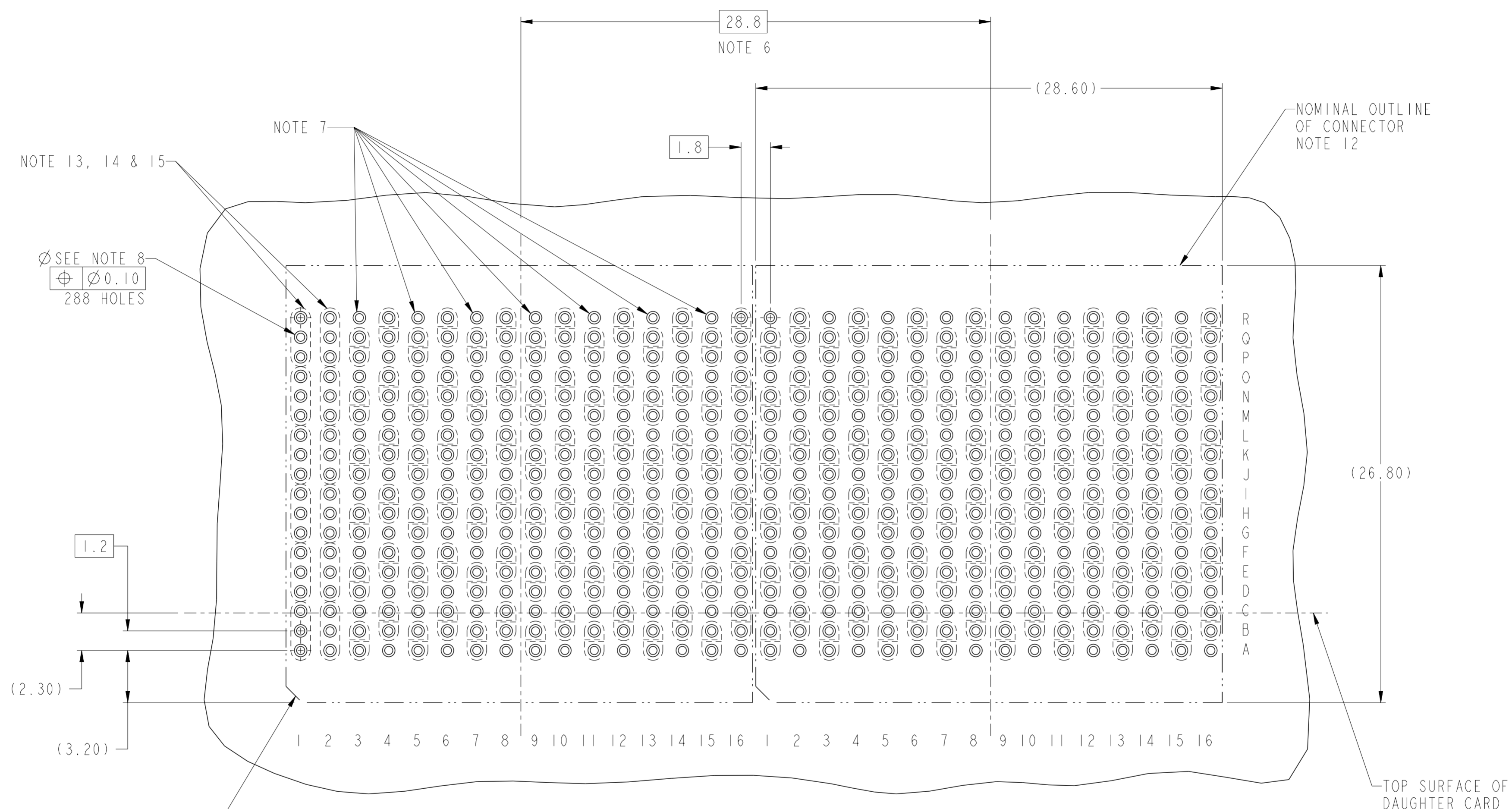
spec ref	dr	Yong-Keat Lim	2010/02/18	projection	MM	size	A2	scale	5:1
tolerance std	eng	Yong-Keat Lim	2011/11/23			ecn no	-	rel level	Released
ASME Y14.5	chr	-	app						
surface	linear	0.X	±			ZipLine VERT HEADER ASSY		dwg no 10106826	rev A
ASME Y14.5	angular	0°	±	www.fci.com		cat. no. -		Product - Customer Drw	sheet 1 of 3

PDS: Rev :A

STATUS:Released

Printed: Nov 24, 2011

Copyright FCI. FCI



NOTE 13, 14 & 15

Ø SEE NOTE 8
 \oplus Ø 0.10
 288 HOLES

NOTE 7

28.8
 NOTE 6

1.8

(28.60)

NOMINAL OUTLINE
 OF CONNECTOR
 NOTE 12

(26.80)

1.2

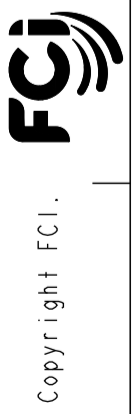
(2.30)

(3.20)

POS AI INDICATOR
 NOTE 12

TOP SURFACE OF
 DAUGHTER CARD

RECOMMENDED PCB LAYOUT
 FOR DIFFERENTIAL APPLICATIONS,
 COMPONENT SIDE
 (TWO ADJACENT FOOTPRINTS SHOWN)
 NOTE 8

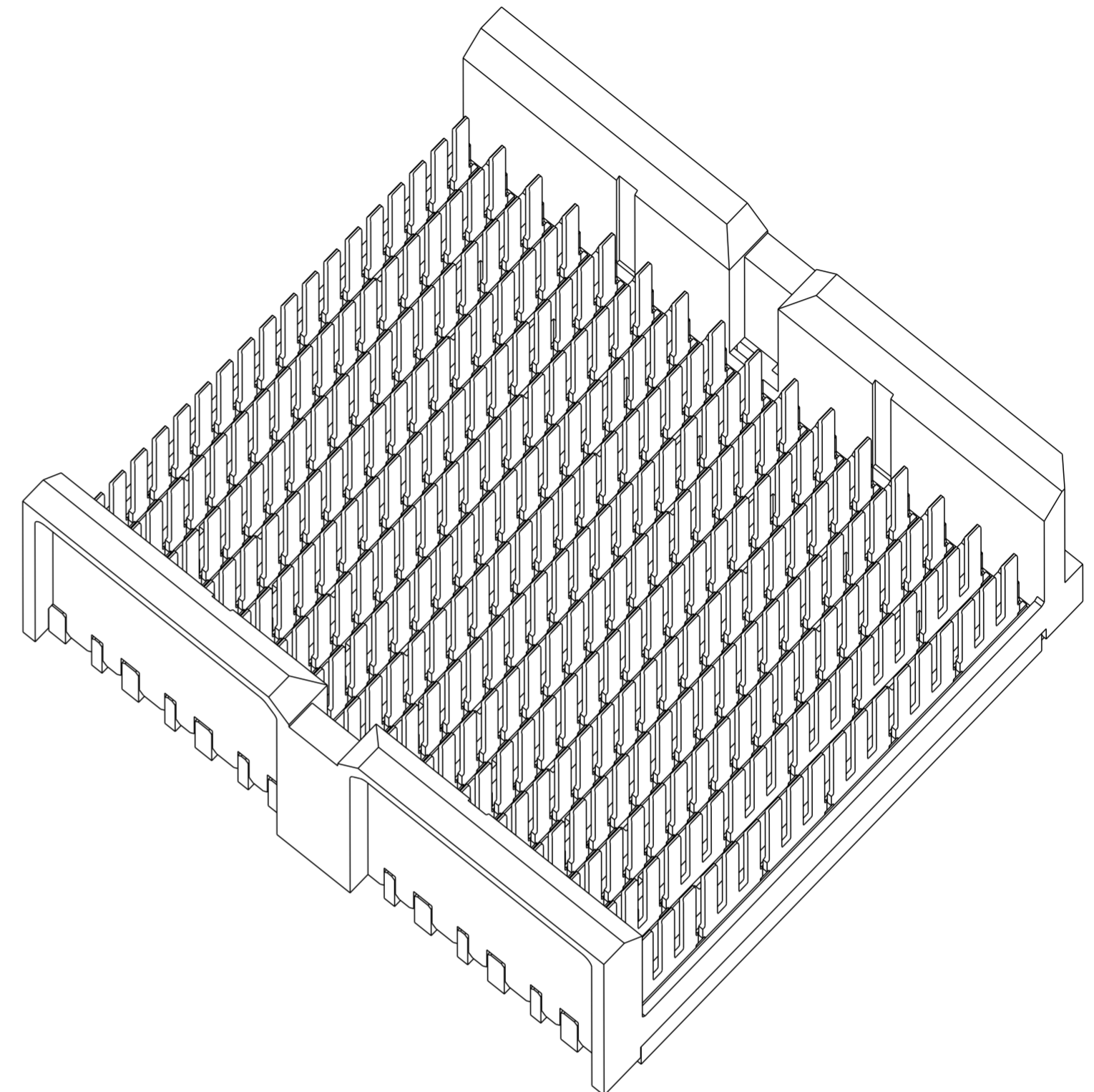


spec ref	dr	Yong-Keat Lim	2010/02/18	projection	MM	size	A2	scale	5:1
tolerance std	eng	Yong-Keat Lim	2011/11/23		←	ecn no	-	rel level	Released
ASME Y14.5	chr	-	2011/11/24						
	appr	Chen-Hong Tan	2011/11/24	product family	ZipLine	rel level	Released		
surface	linear	0.X	±	title ZipLine VERT HEADER ASSY 6 PR, 16 IMLA, 1.8mm PITCH, 28.8mm, PWR		dwg no 10106826	rev A	Product - Customer Drw sheet 2 of 3	
		0.XX	±						
		0.XXX	±						
ASME Y14.5	angular	0°	±	www.fci.com	cat. no.	-	Product - Customer Drw		sheet 2 of 3

PRODUCT NUMBER	PRESS-FIT TAIL PLATING TYPE	POWER (P) OR SIGNAL (S) BY COLUMN NUMBER (SEE NOTE 14)															
		1	2	3	4	5	6	7	8	9	10	11	12	13	14	15	16
10106826-103	TIN LEAD ALLOY OVER NICKEL	P	P	S	S	S	S	S	S	S	S	S	S	S	S	S	
10106826-103LF	TIN OVER NICKEL (LEAD FREE)	P	P	S	S	S	S	S	S	S	S	S	S	S	S	S	
10106826-105	TIN LEAD ALLOY OVER NICKEL	P	S	S	S	S	S	S	S	S	S	S	S	S	S	P	
10106826-105LF	TIN OVER NICKEL (LEAD FREE)	P	S	S	S	S	S	S	S	S	S	S	S	S	S	P	

NOTES:

- CONNECTOR MATERIALS:
HOUSING: HIGH TEMP THERMOPLASTIC, BLACK, UL94V-0
IMLA PLASTIC: HIGH TEMP THERMOPLASTIC, BLACK, UL94V-0
CONTACT: COPPER ALLOY
- CONTACT PLATING:
SEPARABLE INTERFACE: PERFORMANCE-BASED PLATING, QUALIFIED TO MEET THE REQUIREMENTS OF FCI PRODUCT SPECIFICATION GS-12-452 INCLUDING TELCORDIA GR-1217-CORE (NOVEMBER 1995) CENTRAL OFFICE TEST SEQUENCE
PRESS-FIT TAILS: SEE TABLE
- PRODUCT SPECIFICATION: GS-12-452.
- APPLICATION SPECIFICATION: GS-20-094.
- PRODUCT MARKING, (PART NUMBER & LOT CODE), ON THESE SURFACES.
- THE MINIMUM CENTERLINE SPACING BETWEEN ADJACENT MODULES IS 28.8mm.
- THERE IS NO GROUND BUSSING WITHIN THE HEADER CONNECTOR. HOWEVER, POSITIONS R1, R3, R5, R7, R9, R11, R13 & R15 OF THE MATING RECEPTACLE ARE BUSSED. THESE MUST BE ASSIGNED AS GROUNDS.
- REFER TO CUSTOMER DRAWING 10045979 FOR INFORMATION ON PCB HOLE DIAMETERS AND PLATING OPTIONS.
- THIS PRODUCT MEETS EUROPEAN UNION DIRECTIVES AND OTHER COUNTRY REGULATIONS AS DESCRIBED IN GS-22-008.
- THE HOUSING WILL WITHSTAND EXPOSURE TO 260°C PEAK TEMPERATURE FOR 40 SECONDS IN A CONVECTION, INFRA-RED OR VAPOR PHASE REFLOW OVEN.
- PACKAGING MEETS GS-14-920 LEAD FREE LABELING SPECIFICATION.
- CONNECTOR OUTLINE WITH HOUSING POS A1 INDICATOR MAY BE SCREEN PRINTED ONTO CUSTOMER PCB TO BE USED AS A GUIDE FOR MANUAL CONNECTOR PLACEMENT.
- WITHIN ANY POWER COLUMN, EACH 3 OF THE 18 CONTACT POSITIONS ARE COMMONED TO FORM 6 POWER CONTACTS. PCB LAYOUT SHOWS ONE CONFIGURATION OF COMMONED VIAS MAKING UP THE 12 INDIVIDUAL POWER POSITIONS. ADDITIONAL CUSTOMER-DEFINED PCB LAYOUTS WILL ALLOW ANYWHERE FROM ONE TO SIX POWER LINES WITHIN A COLUMN.
- PRODUCT CAN BE CONFIGURED WITH POWER IN ANY COLUMN OR MULTIPLE COLUMNS.
- PLASTIC FOR POWER COLUMNS IS WHITE. PLASTIC FOR SIGNAL COLUMNS IS BLACK. SEE PART NUMBER TABLE FOR APPLICABLE POWER (P) AND SIGNAL (S) COLUMN LOADING POSITIONS.



10106826-101



Copyright FCI.

spec ref	dr	Yong-Keat Lim	2010/02/18	projection	MM	size	A2	scale	5:1
tolerance std	eng	Yong-Keat Lim	2011/11/23			ecn no	-	rel level	Released
ASME Y14.5	chr	-	app						
surface	linear	0.X	±			ZipLine VERT HEADER ASSY		dwg no	10106826
ASME Y14.5	angular	0°	±	www.fci.com		6 PR, 16 IMLA, 1.8mm PITCH, 28.8mm, PWR		rev	A
				cat. no.		Product - Customer Drw		sheet 3 of 3	

PDS: Rev :A

STATUS:Released

Printed: Nov 24, 2011

X-ON Electronics

Largest Supplier of Electrical and Electronic Components

Click to view similar products for [Hard Metric Connectors](#) category:

Click to view products by [Amphenol](#) manufacturer:

Other Similar products are found below :

[10146110-VR5C](#) [6345127-1](#) [646916-9](#) [6469658-1](#) [853016](#) [973108](#) [1-2000713-0](#) [1-2000713-2](#) [1-2000713-3](#) [120646-1](#) [134187](#) [1645343-1](#)
[1645456-1](#) [1645564-3](#) [1645594-1](#) [1645601-1](#) [1934822-1](#) [2000829-2](#) [2000985-2](#) [223085-1](#) [278071110010833](#) [1645179-1](#) [1645245-1](#)
[1645457-1](#) [1645525-1](#) [1645570-1](#) [1645596-1](#) [17-8072-125-000-863+](#) [1857470-1](#) [1934275-1](#) [1934289-1](#) [1934759-1](#) [2000673-1](#) [2000843-2](#)
[2000984-2](#) [204975](#) [2170292-2](#) [2-536642-6](#) [3-100668-0](#) [3-106015-1](#) [352188-1](#) [352629-1](#) [3-646346-0](#) [3-646356-0](#) [3-646457-0](#) [3-646529-0](#) [3-646530-0](#) [5120823-1](#) [5120899-1](#) [5120948-1](#)