

RIGHT ANGLE HEADER ASSEMBLY PRODUCT NUMBER  
10108877- X PP SS C M LF

MOUNTING FEATURES  
H = HOLD DOWNS  
S = SCREW MOUNT (EXCEPT FOR P STYLE)

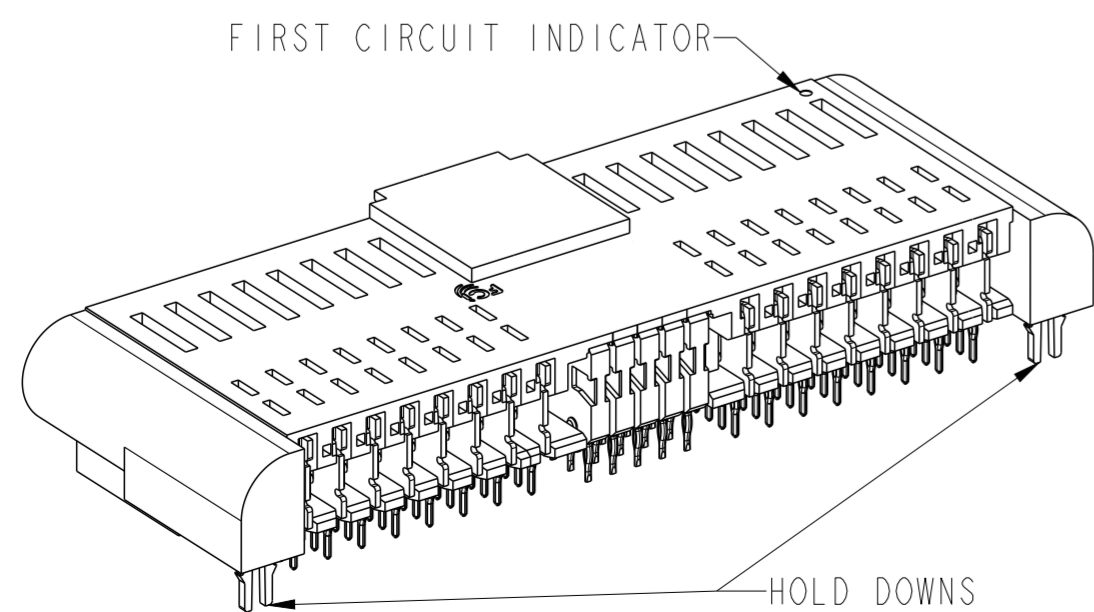
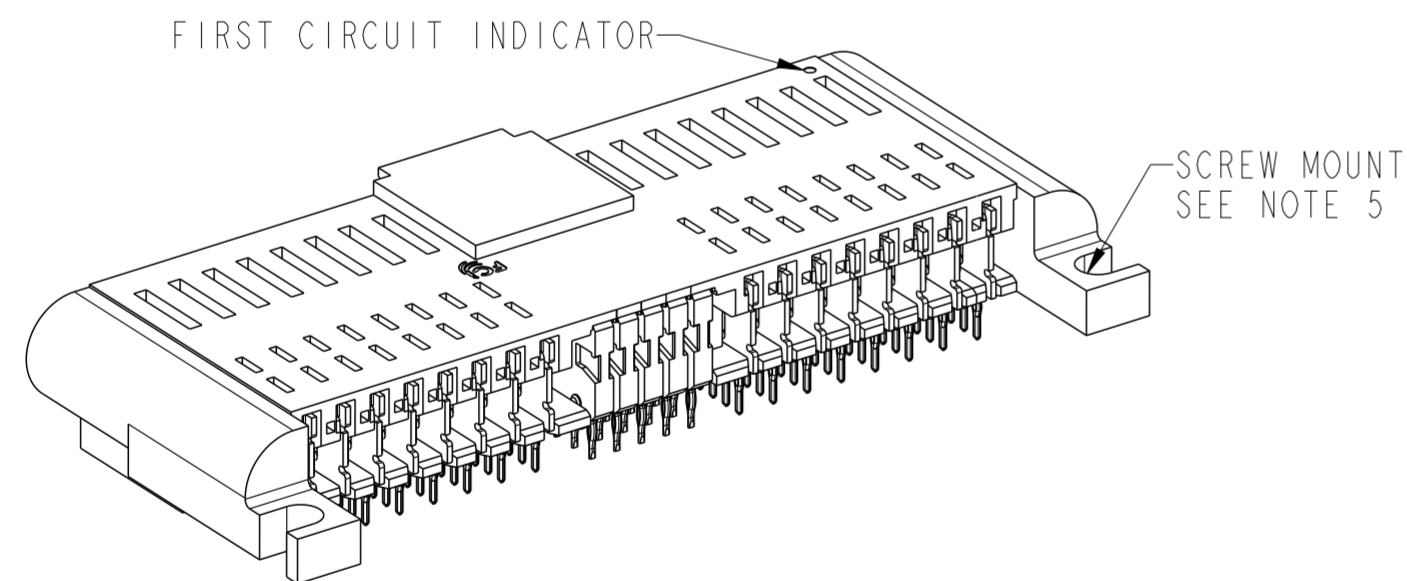
CENTER LINE DISTANCE BETWEEN POWER AND SIGNAL POSITIONS AT MATING INTERFACE  
3 = 4.375

NUMBER OF SIGNAL CONTACTS  
00 OR 05 TO 40 IN INCREMENTS OF 5

TOTAL NUMBER OF POWER CONTACTS. IF STYLE S, THEY WILL BE DIVIDED EQUALLY WITH HALF ON THE LEFT AND HALF ON THE RIGHT SIDES OF THE SIGNAL GROUP. 02 TO 24 IN EVEN NUMBER INCREMENTS. IF STYLE P, THE RANGE IS 06 TO 30.

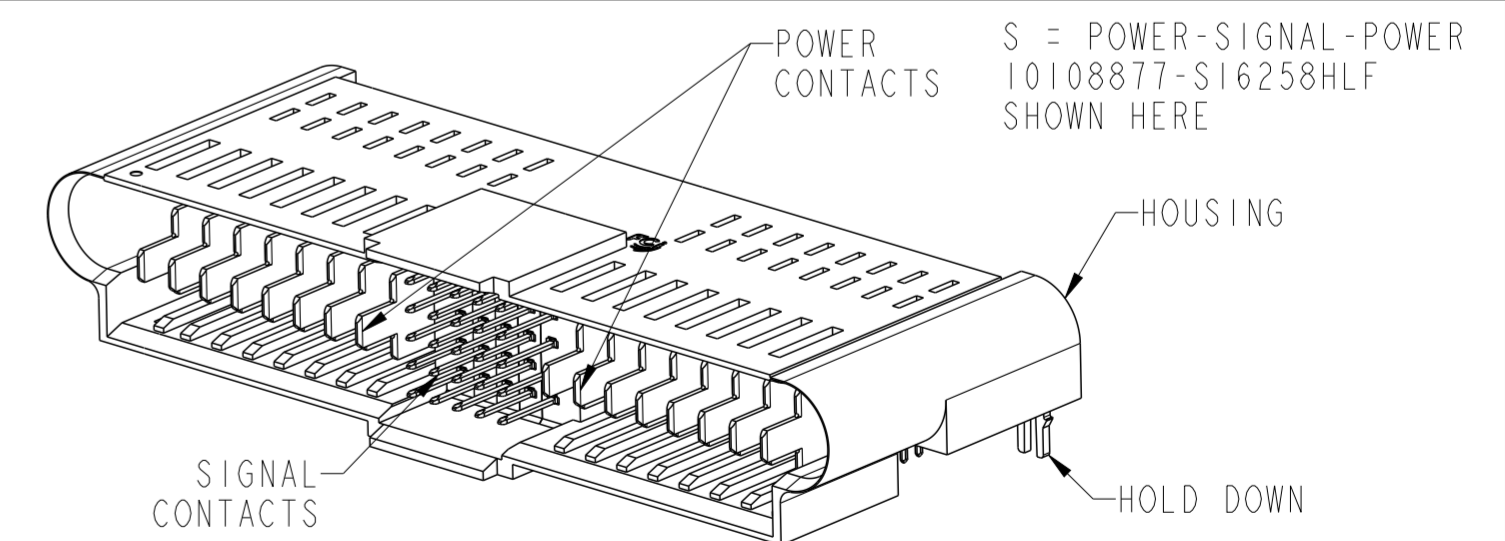
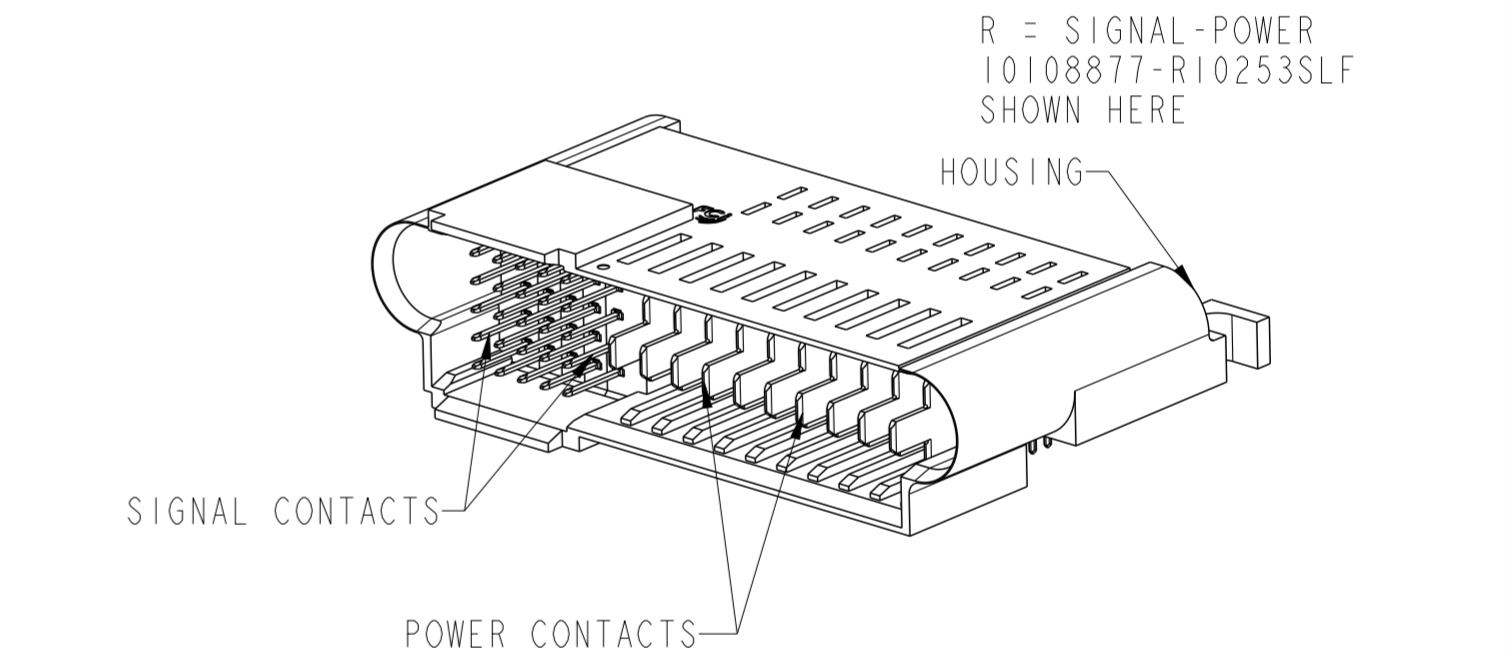
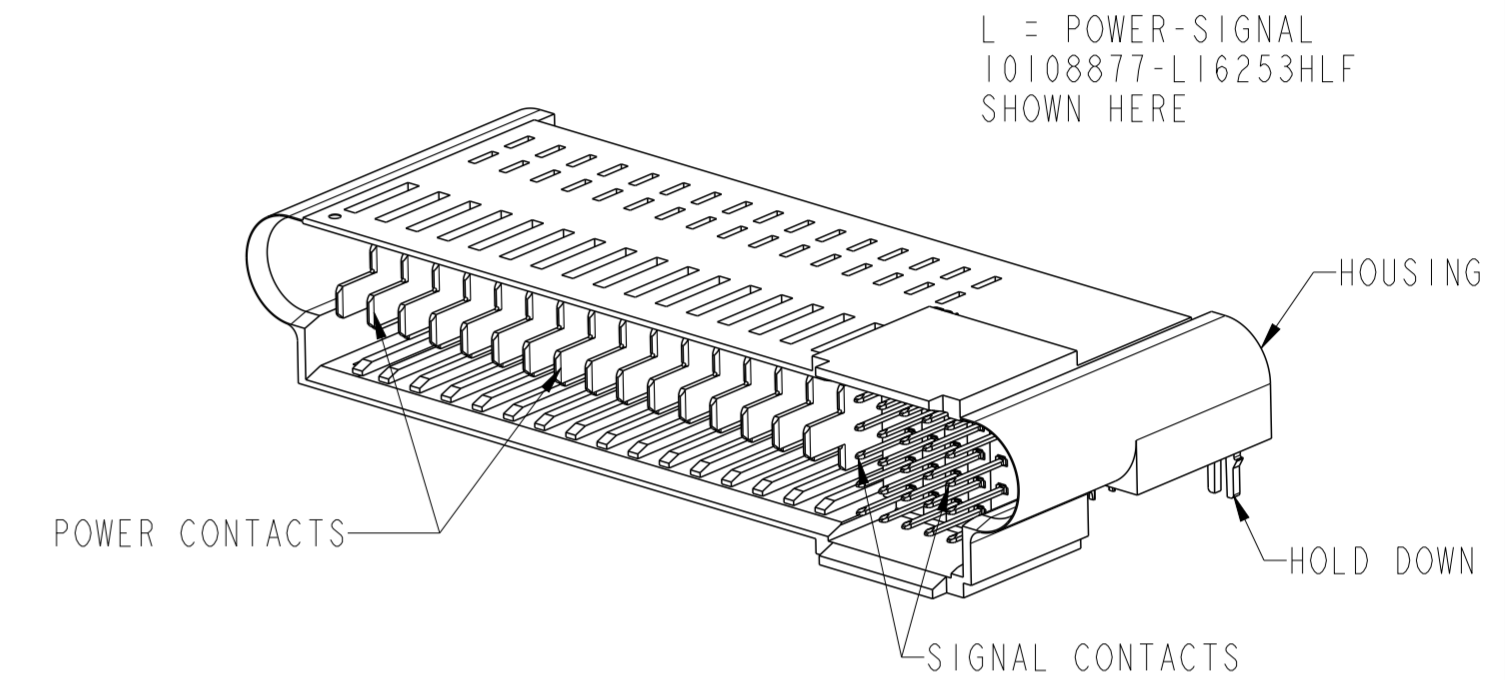
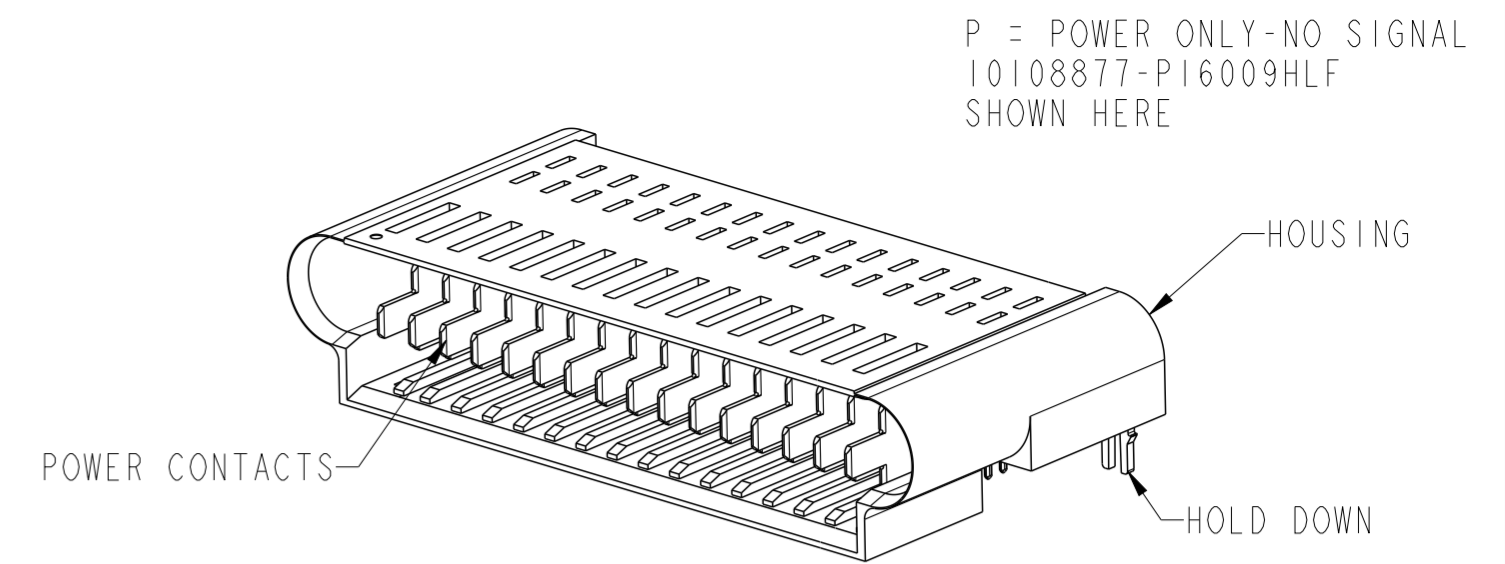
STYLE  
P = POWER ONLY-NO SIGNAL  
L = POWER ON THE LEFT, SIGNAL ON THE RIGHT  
R = SIGNAL ON THE LEFT, POWER ON THE RIGHT  
S = POWER ON THE LEFT, SIGNAL IN THE CENTER, POWER ON THE RIGHT

EXAMPLE:  
10108877-R10253SLF IS A RIGHT ANGLE HEADER ASSEMBLY WITH 5 COLUMNS (25 TOTAL) OF SIGNAL PINS ON THE LEFT SIDE AND 10 POWER CONTACTS ON THE RIGHT SIDE, WITH A 4.375 DISTANCE BETWEEN THE SIGNAL AND THE POWER CONTACTS AND WITH SCREW MOUNT ENDS.



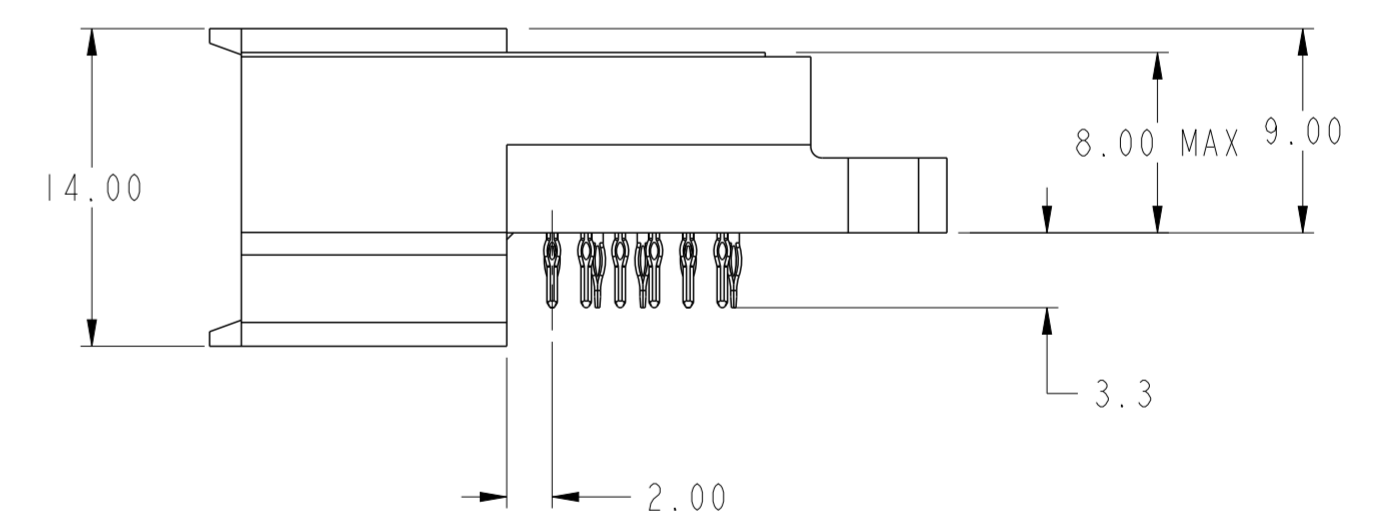
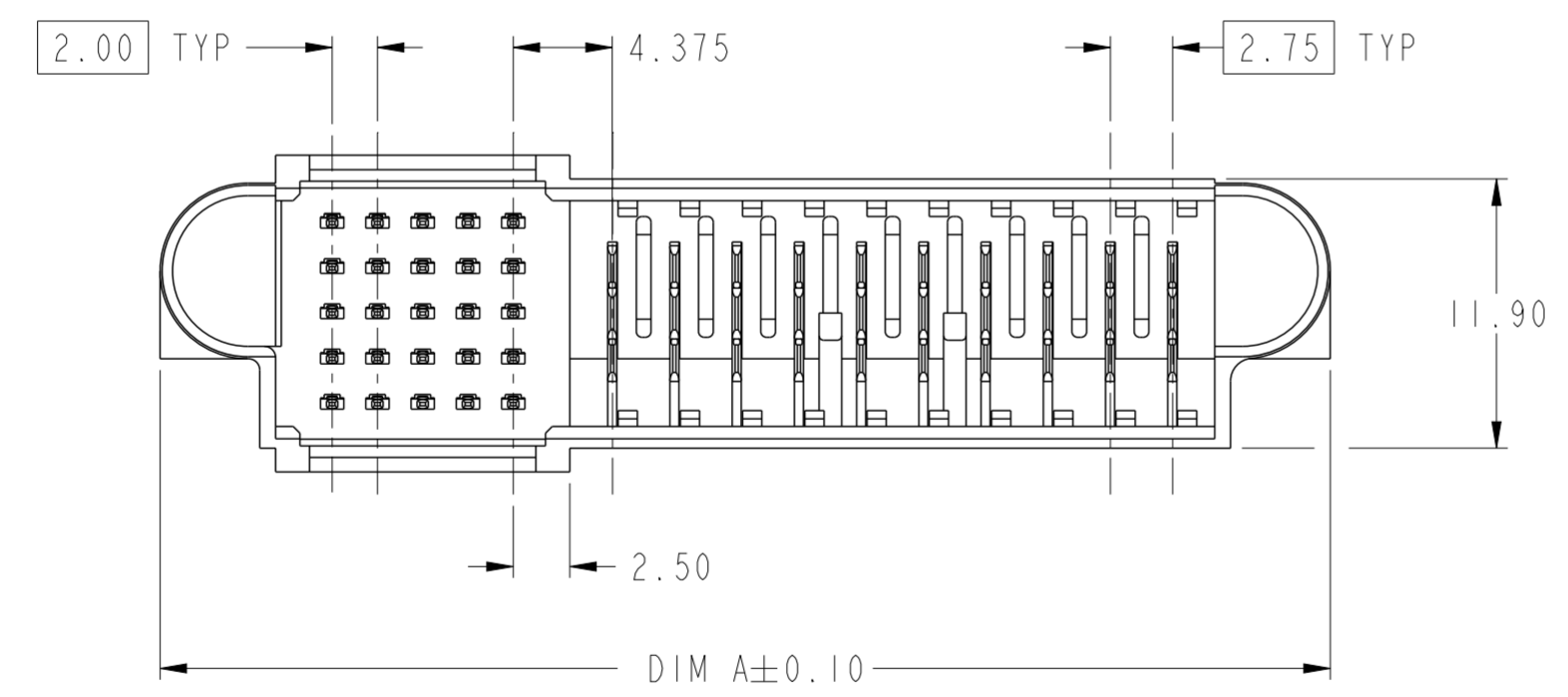
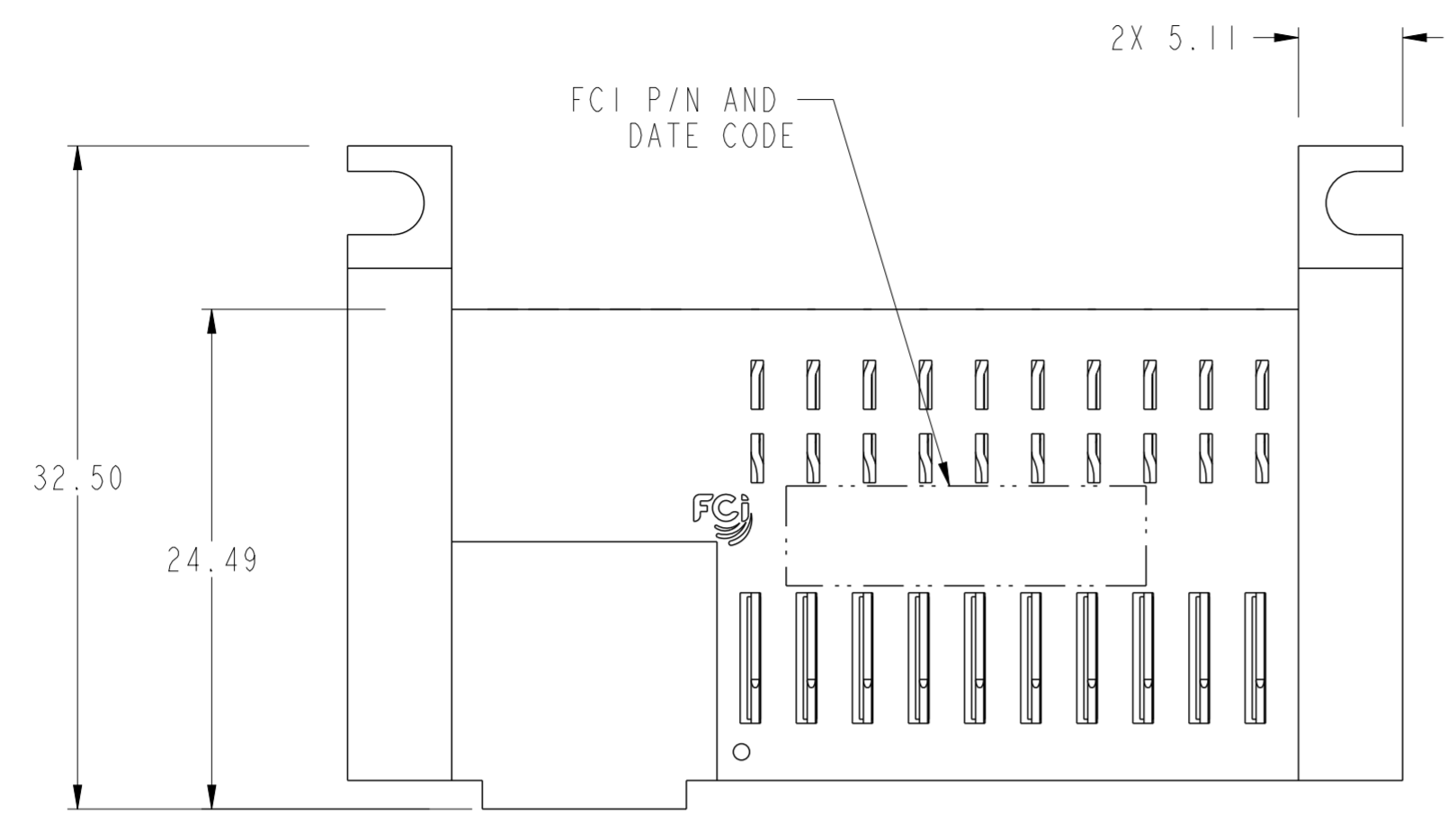
MOUNTING FEATURES

STYLE



spec ref	SEE NOTES	dr	Zhang Hong-Tu	2012/07/04	projection	MM	size	A2	scale	2:1												
tolerance std	TOLERANCES UNLESS OTHERWISE SPECIFIED	eng	Heaven Cen	2014/03/02			ecn no	ELX-DG-17027-1														
ASME Y14.5		chr	Jon Qin	2014/03/02			rel level	Released														
surface	<table border="1"> <tr> <td>linear</td> <td>0.X</td> <td>±0.30</td> </tr> <tr> <td></td> <td>0.XX</td> <td>±0.20</td> </tr> <tr> <td></td> <td>0.XXX</td> <td>±0.10</td> </tr> <tr> <td>angular</td> <td>0°</td> <td>±2°</td> </tr> </table>	linear	0.X	±0.30		0.XX	±0.20		0.XXX	±0.10	angular	0°	±2°	appr	Collins Lu	2014/03/02	product family	PwrLoPro	rel level	Released		
linear	0.X	±0.30																				
	0.XX	±0.20																				
	0.XXX	±0.10																				
angular	0°	±2°																				
ASME Y14.5		www.fci.com			title	PWR LP HEADER ASSEMBLY		cat. no.	10108877	rev	G											
					Product - Customer Drw	sheet 1 of 5																

PART NUMBER	CONFIGURATION	DIM "A"	DIM "B"	"C" SPACES	"D" SPACES	"E" PLACES	"F" PLACES	MOUNTING FEATURE
10108877-R10253SLF	25S + 10P	51.71	47.31	4	9	25	60	SCREW MOUNT
10108877-R08203SLF	20S + 8P	44.21	39.81	3	7	20	48	SCREW MOUNT
10108877-R24403SLF	40S + 24P	96.21	91.81	7	23	40	144	SCREW MOUNT



10108877-R10253SLF AS SHOWN  
SCREW MOUNT TYPE

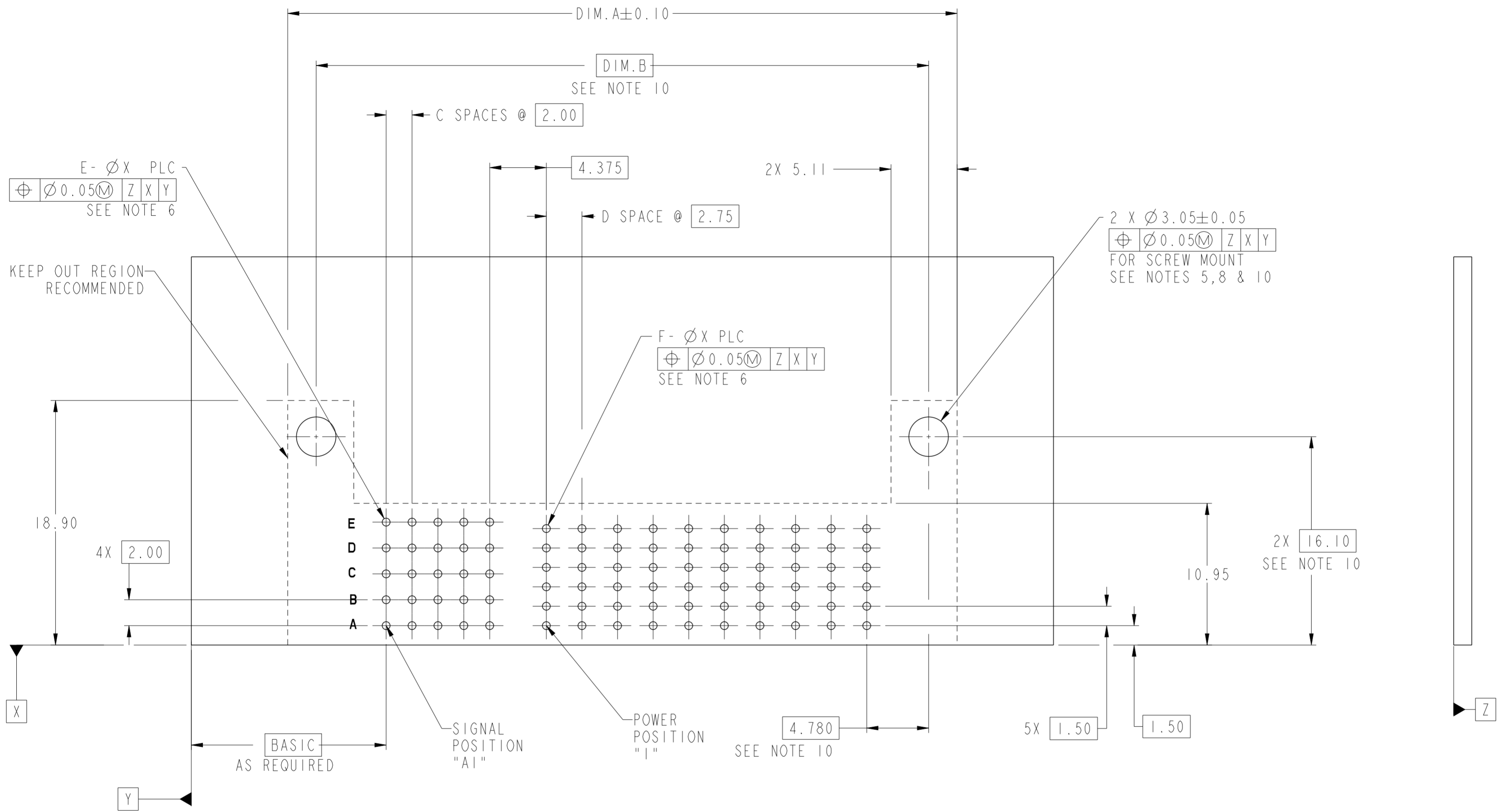
spec ref	SEE NOTES	dr	Zhang Hong-Tu	2012/07/04	projection	MM	size	A2	scale	3:1	
tolerance std	ASME Y14.5	eng	Heaven Cen	2014/03/02			ecn no	ELX-DG-17027-1			
surface	✓	chr	Jon Qin	2014/03/02			rel level	Released			
ASME Y14.5	linear	appr	Collins Lu	2014/03/02			product family	PwrLoPro	rel level	Released	
	angular	0°	±2°	www.fci.com	cat. no.	-	Product - Customer Drw	sheet 2 of 5			

PDS: Rev :G

STATUS:Released

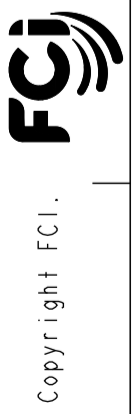
Printed: Mar 03, 2014

Copyright FCI.

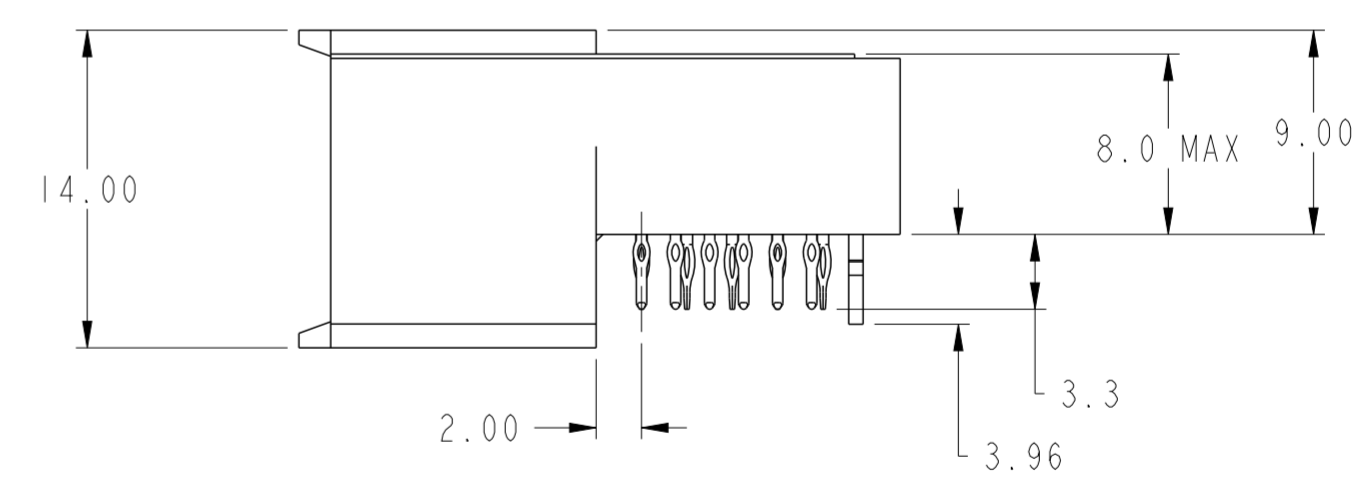
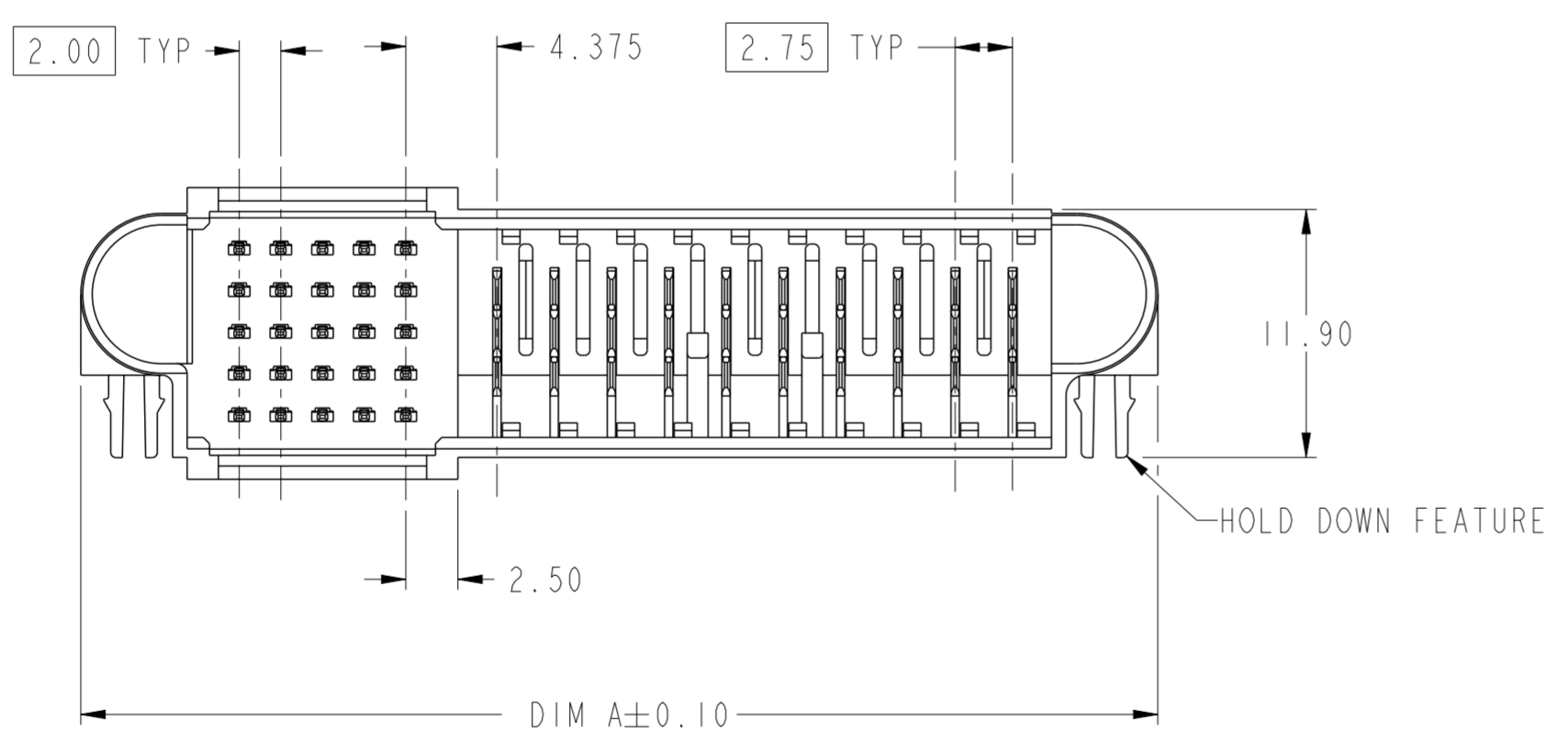
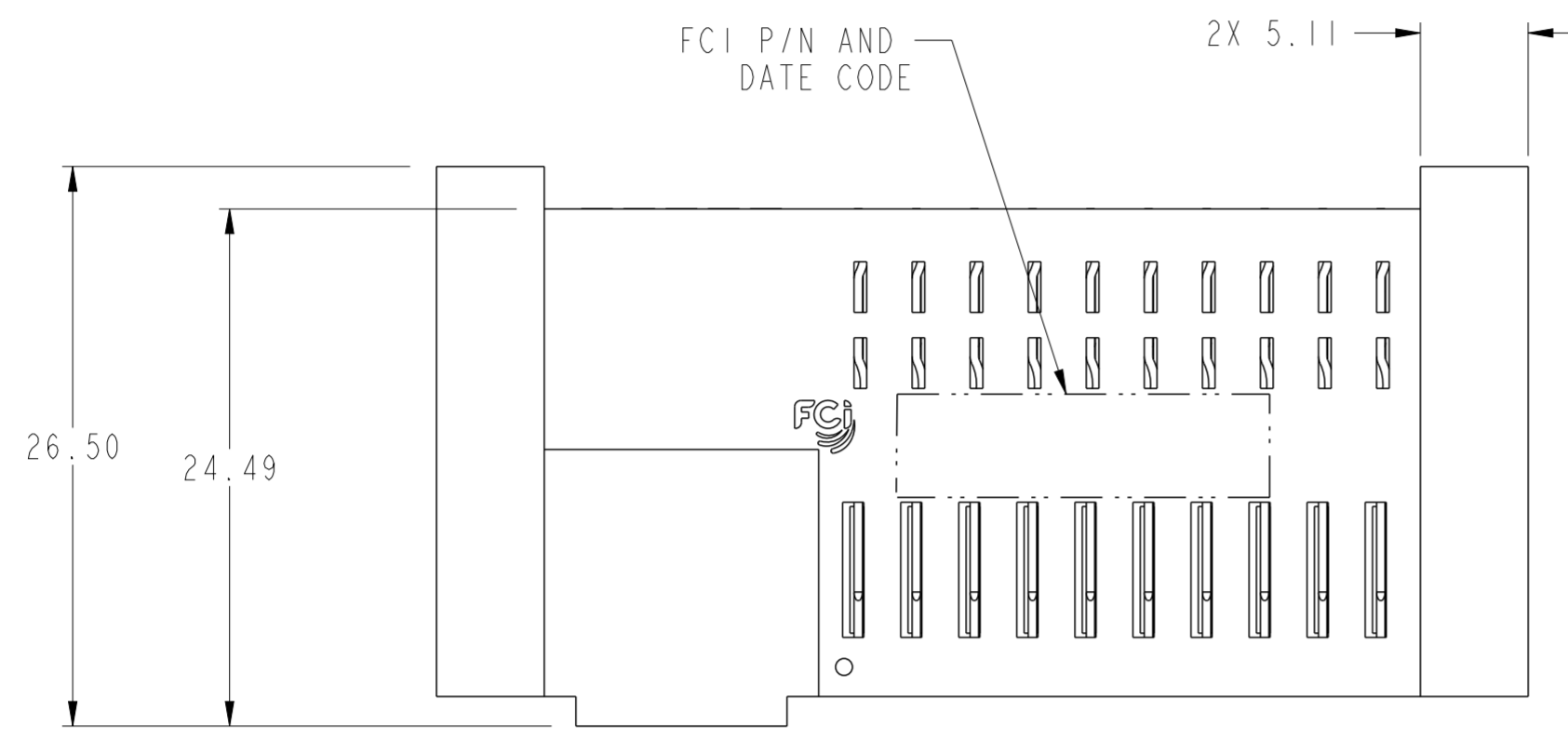


10108877-R10253SLF SHOWN  
 RECOMMENDED PRINTED CIRCUIT BOARD LAYOUT SEE NOTE 4  
 FOR 10108877-RXXXX3SLF SCREW MOUNT TYPE  
 (AS VIEWED FROM COMPONENT SIDE)

spec ref	SEE NOTES	dr	Zhang Hong-Tu	2012/07/04	projection	MM	size	A2	scale	4:1	
tolerance std	ASME Y14.5	eng	Heaven Cen	2014/03/02			ecn no	ELX-DG-17027-1			
surface	✓	chr	Jon Qin	2014/03/02			rel level	Released			
ASME Y14.5	linear	appr	Collins Lu	2014/03/02			product family	PwrLoPro	rel level	Released	
	angular	0°	±2°	www.fci.com	cat. no.	-	Product - Customer Drw	sheet 3 of 5			



PART NUMBER	CONFIGURATION	DIM "A"	DIM "B"	"C" SPACES	"D" SPACES	"E" PLACES	"F" PLACES	MOUNTING FEATURE
10108877-R10253HLF	25S + 10P	51.71	46.60	4	9	25	60	HOLD DOWN
10108877-R08203HLF	20S + 8P	44.21	39.10	3	7	20	48	HOLD DOWN
10108877-R24403HLF	40S + 24P	96.21	91.10	7	23	40	144	HOLD DOWN



10108877-R10253HLF AS SHOWN  
HOLD DOWN TYPE

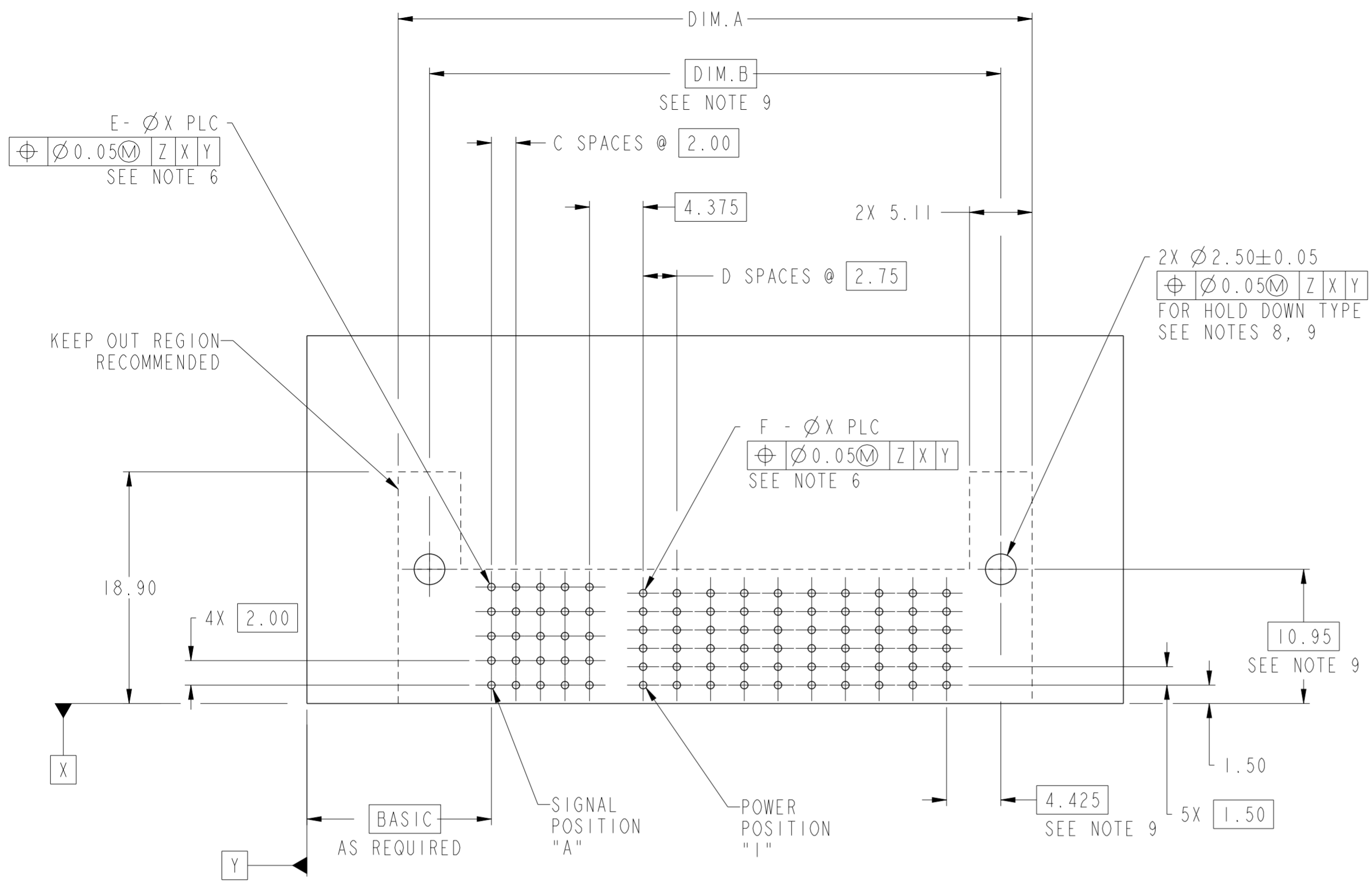
spec ref	SEE NOTES	dr	Zhang Hong-Tu	2012/07/04	projection	MM	size	A2	scale	3:1	
tolerance std	ASME Y14.5	eng	Heaven Cen	2014/03/02			ecn no	ELX-DG-17027-1			
surface	✓	chr	Jon Qin	2014/03/02			rel level	Released			
ASME Y14.5	linear	appr	Collins Lu	2014/03/02			product family				
	angular	0°	±2°	www.fci.com	cat. no.	PWR LP HEADER ASSEMBLY		RA, PASSIVE GUIDE	10108877	rev	G
					Product - Customer Drw		sheet 4 of 5				

PDS: Rev :G

STATUS:Released

Printed: Mar 03, 2014

Copyright FCI.



NOTES:

1. HOUSING MATERIAL: GF LCP, COLOR: BLACK, UL 94 V-0 RATED  
 SIGNAL CONTACT MATERIAL: PHOSPHOR BRONZE  
 SIGNAL PIN OVERMOLD MATERIAL: GF POLYESTER  
 POWER CONTACT MATERIAL: COPPER ALLOY
2. PLATING ON SIGNAL CONTACTS: 1.27µm MIN Ni UNDERPLATING ALL OVER WITH 0.76µm MIN GXT IN CONTACT MATING AREA, AND 0.5µm MIN MATTE TIN ON TAIL AREA.  
  
 PLATING ON POWER CONTACTS: 1.27µm MIN Ni UNDERPLATING ALL OVER WITH 0.76µm MIN GXT IN CONTACT MATING AREA, AND 0.5µm MIN MATTE TIN ON TAIL AREA.  
  
 PLATING ON HOLD DOWN IF APPLICABLE: 1.27µm MIN Ni, UNDERPLATING ALL OVER WITH 0.76µm MIN MATTE TIN OVER.
3. LUBRICATION: LUBRICATE ON CONTACT AREA.
4. RECOMMENDED PCB THICKNESS IS:  
 FOR PRESS FIT APPLICATION: 1.4mm MIN  
 FOR SOLDER APPLICATION: 1.40mm THROUGH 2.62mm.
5. FOR SCREW MOUNT APPLICATIONS, A #4-40 UNC PAN SCREW WITH HEX NUT IS RECOMMENDED (SUPPLIED BY CUSTOMER).
6. FOR PRESS FIT Ø0.61mm, FOR SOLDER Ø0.90mm.
7. PRODUCT SPECIFICATION GS-12-1064  
 APPLICATION SPECIFICATION GS-20-0362
8. UNPLATED HOLES

**10108877-R10253HLF SHOWN**  
**RECOMMENDED PRINTED CIRCUIT BOARD LAYOUT SEE NOTE 4**  
**FOR 10108877-RXXXX3HLF HOLD DOWN TYPE**  
 (AS VIEWED FROM COMPONENT SIDE)

- 9. HOLD DOWN APPLICATION NEEDED
- 10. SCREW MOUNT APPLICATION NEEDED.

spec ref	SEE NOTES	dr	Zhang Hong-Tu	2012/07/04	projection	MM	size	A2	scale	1:1
tolerance std	ASME Y14.5	eng	Heaven Cen	2014/03/02			ecn no	ELX-DG-17027-1		
chr		chr	Jon Qin	2014/03/02			rel level	Released		
appr		appr	Collins Lu	2014/03/02			product family	PwrLoPro		
surface	linear	0.X	±0.30		<b>PWR LP HEADER ASSEMBLY</b> RA, PASSIVE GUIDE	cat. no.	sheet 5 of 5	dwg no	10108877	
	0.XX	±0.20	rev					G		
	0.XXX	±0.10								
ASME Y14.5	angular	0°	±2°	www.fci.com	Product - Customer Drw					

Copyright FCI. FCI



## X-ON Electronics

Largest Supplier of Electrical and Electronic Components

*Click to view similar products for [Board to Board & Mezzanine Connectors](#) category:*

*Click to view products by [Amphenol](#) manufacturer:*

Other Similar products are found below :

[10135583-642402LF](#) [89885-310LF](#) [589158040000018](#) [6-1393048-0](#) [68683-613](#) [MDF7-12DP-2.54DSA](#) [MDF7-18P-2.54DSA\(01\)](#) [MDF7-20DP-2.54DSA](#) [MDF7-26D-2.54DSA\(55\)](#) [MDF7-3P-2.54DSA\(01\)](#) [MDF7B-3P-2.54DSA\(55\)](#) [MDF7C-11P-2.54DSA\(55\)](#) [MDF7C-18P-2.54DSA\(55\)](#) [MDF7C-5P-2.54DSA\(01\)](#) [MDF7P-5P-2.54DSA\(55\)](#) [75234-0516](#) [FCN-230C068-11](#) [FCN-268F012-G/BD](#) [FCN-268F036-G/BD](#) [FCN-268M012-G/0D](#) [FCN-268M024-G/1D](#) [FCN-360C008-C](#) [FCN-360C040-C](#) [FCN-723J004/1](#) [MIS-048-01-F-D-DP-K](#) [832-10-034-10-001000](#) [93696-325LF](#) [11828-1FA](#) [AXK630345P](#) [18097-0013](#) [ICA-328STT](#) [2007042-2](#) [304400-2](#) [FCN-214Q030-G/0](#) [FCN-215Q040-G/0](#) [FCN-230C068-ESA](#) [FCN-234P048-G/0](#) [FCN-235D050-G/C](#) [FCN-360A3](#) [FCN-360C040-B](#) [210-93-314-41-105000](#) [2-22603-0](#) [379-064-521-202](#) [MDF7-12P-2.54DSA\(01\)](#) [MDF7-16P-2.54DS\(56\)](#) [MDF7-40DP-2.54DSA\(55\)](#) [MDF7-8P-2.54DSA\(55\)](#) [MDF7B-16P-2.54DSA\(55\)](#) [AXG720047](#) [5031084030](#)