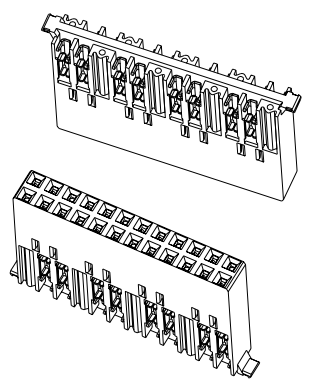
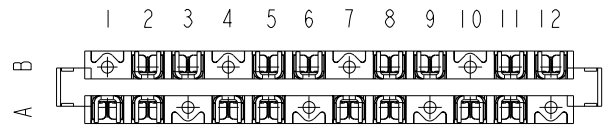
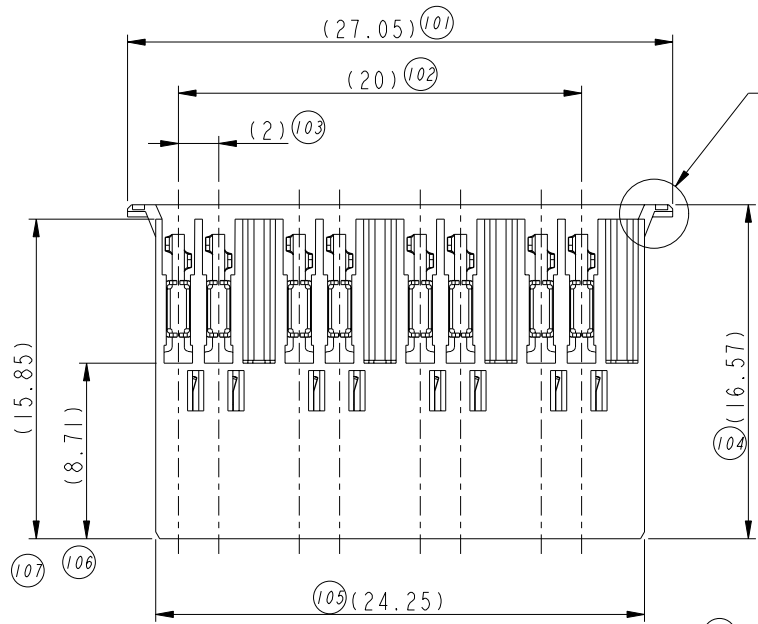


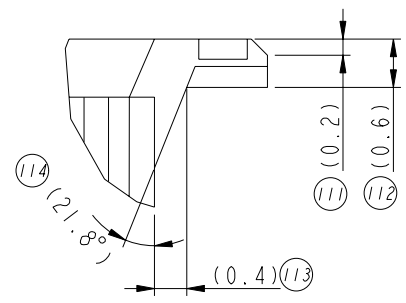
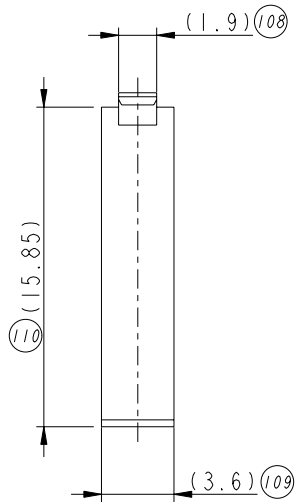
PRODUCT NUMBER
10111110-002



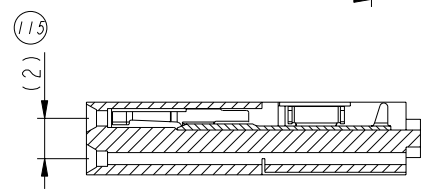
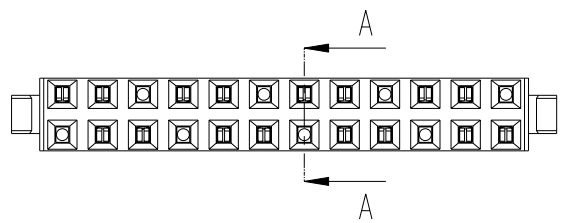
SCALE 2:1



SEE DETAIL K



DETAIL K
SCALE 16:1
(2X)



SECTION A-A

PRELIMINARY

Copyright FCI.
FCI

rev	ecn no	dr	date
A	N10-0022	R.B	12/23/2009
-	-	-	-
-	-	-	-
-	-	-	-
-	-	-	-

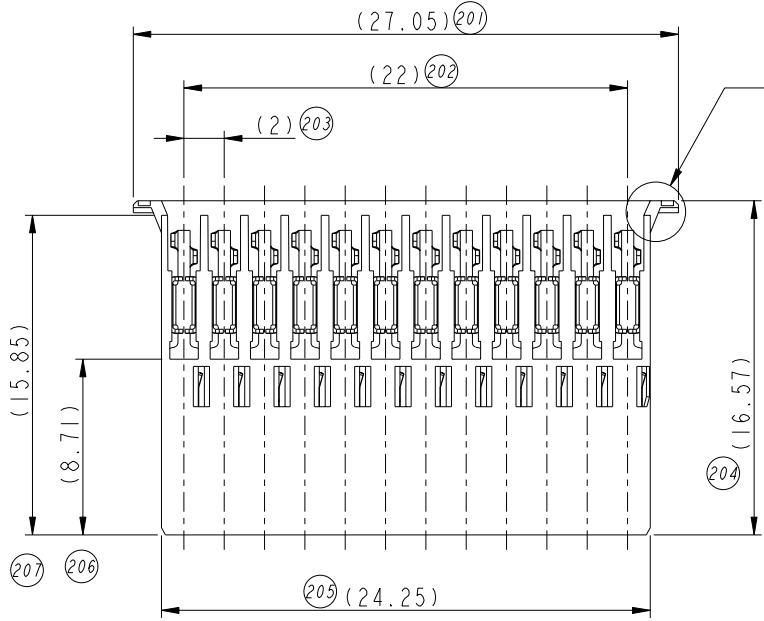
www.fci.com		surface - ISO 1302	tolerance std ISO 406 ISO 1101	projection mm
		TOLERANCES UNLESS OTHERWISE SPECIFIED		
Dr	Rick Bian	12/23/2009	0.X ±0.3	size A3
Eng	Rick Bian	12/23/2009	0.XX ±0.15	Scale 1:1
Chr	Daniel Tao	12/23/2009	0.XXX ±0.05	ECN
Appr	Joseph Hsia	12/23/2009	Product family	METRAL Spec ref -
FCI		title	PROTO TERMINAL BLOCK ASSY	Rev. A
		title	METRAL HDXS CABLE CONNECTOR	
		catalog no	-	10111110
			CUSTOMER	sheet 1 of 2

Highest balloon number: 115
Removed balloon number: -

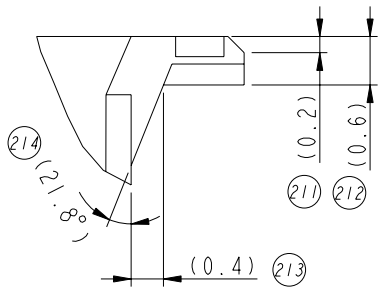
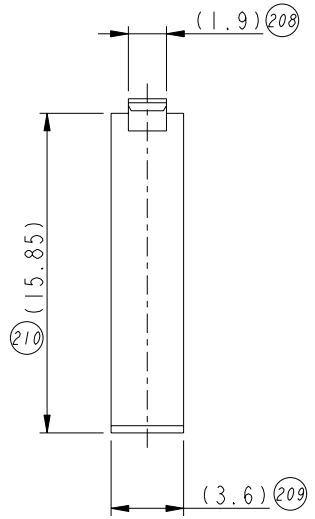
REV F - 2006-04-17

PRODUCT NUMBER
10111110-001

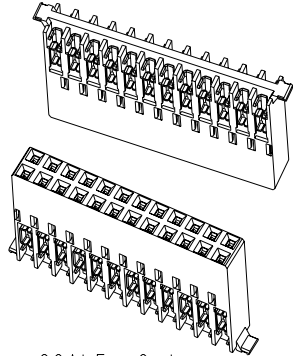
1 2 3 4 5 6 7 8 9 10 11 12



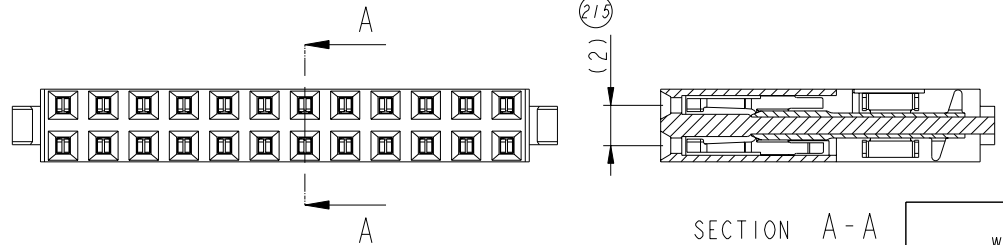
SEE DETAIL K



DETAIL K
SCALE 16:1
(2X)



SCALE 2:1



SECTION A-A

PRELIMINARY

Copyright FCI
FCI

www.fci.com			surface ISO 1302	tolerance std ISO 406 ISO 1101	projection mm		
			TOLERANCES UNLESS OTHERWISE SPECIFIED				
Dr	Rick Bian	12/23/2009	ANGULAR	0.X	±0.3	size	Scale
Eng	Rick Bian	12/23/2009	LINEAR	0.XX	±0.15	A3	1:1
Chr	Daniel Tao	12/23/2009	0° ±2°	0.XXX	±0.05	ECN	
Appr	Joseph Hsia	12/23/2009	Product family	METRAL		Spec ref	-
FCI		title		PROTO TERMINAL BLOCK ASSY		dwg no	10111110
		title		METRAL HDXS CABLE CONNECTOR		Rev.	A
		catalog no		-		CUSTOMER	sheet 2 of 2

Highest balloon number: 215
Removed balloon number: -

REV F - 2006-04-17

X-ON Electronics

Largest Supplier of Electrical and Electronic Components

Click to view similar products for [Computer Cables](#) category:

Click to view products by [Amphenol](#) manufacturer:

Other Similar products are found below :

[68809-0004](#) [8F36-AAA105-1.00](#) [IB63](#) [CB-716EB-RS](#) [CB-716P8P9-RS](#) [CBK-11-290K-00](#) [ACL-10550](#) [ACL-10568-2](#) [ACL-10568-5](#)
[427522400-3](#) [32102-021500-200-RS](#) [426091300-3](#) [48000023](#) [10114976-P015002LF](#) [88761-6101](#) [NT631C-CN321-EU](#) [ACL-10568NF-1](#)
[MIKROE-2092](#) [PCL-101100R-2E](#) [1700009405](#) [PS/2 Cable](#) [NT31C-CN323-EU](#) [FWAX-PK1-51](#) [PCL-10168H-1E](#) [68801-1905](#) [111068-1015](#)
[100436-1107](#) [68801-0630](#) [68801-3612](#) [68801-3618](#) [205058-1002](#) [PS2NK](#) [SATA cable](#) [96021-0000-00-0](#) [FAK-SMZSMZ 5M](#) [FAK-](#)
[SMZSMZ-3M](#) [ACC-500-200-R](#) [iW-C40-PCIe08-C1](#) [1700001531](#) [96048-0000-00-0](#) [SATA III cable 30cm, down/straight](#) [cab-Pico-ITX-](#)
[LVDS](#) [PCL-101100SB-2E](#) [AXXSTCBLQAT](#) [NT31C-KBA05](#) [PCL-101100M-2E](#) [A2U4PSWCXCXK1](#) [2 port SATA to 5 pin,L=200mm](#)
[ACL-10568NF-2](#) [C-PS2WG/5](#)