

10112690 - X XX-YY Z LF

INDICATES THAT PRODUCT IS RoHS COMPATIBLE SEE NOTE 3

PACKAGING :

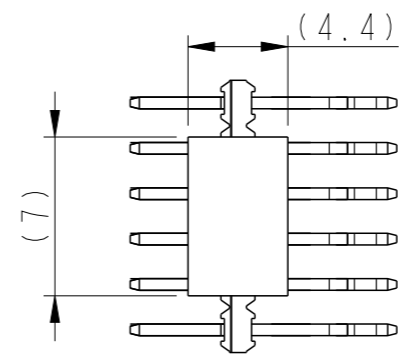
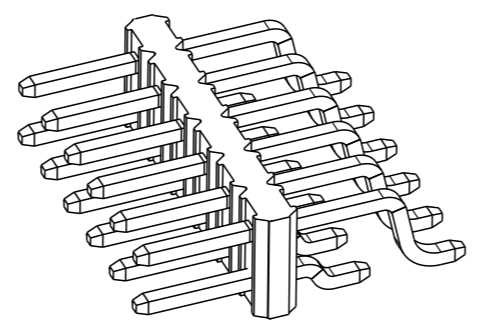
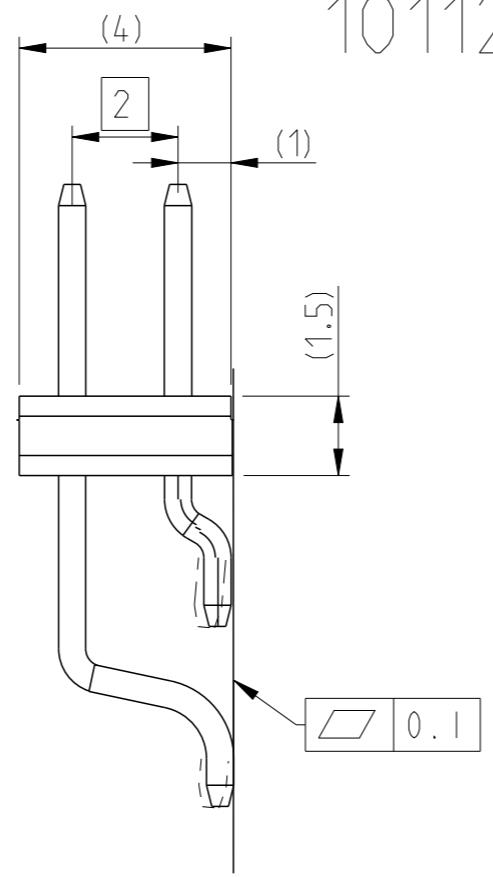
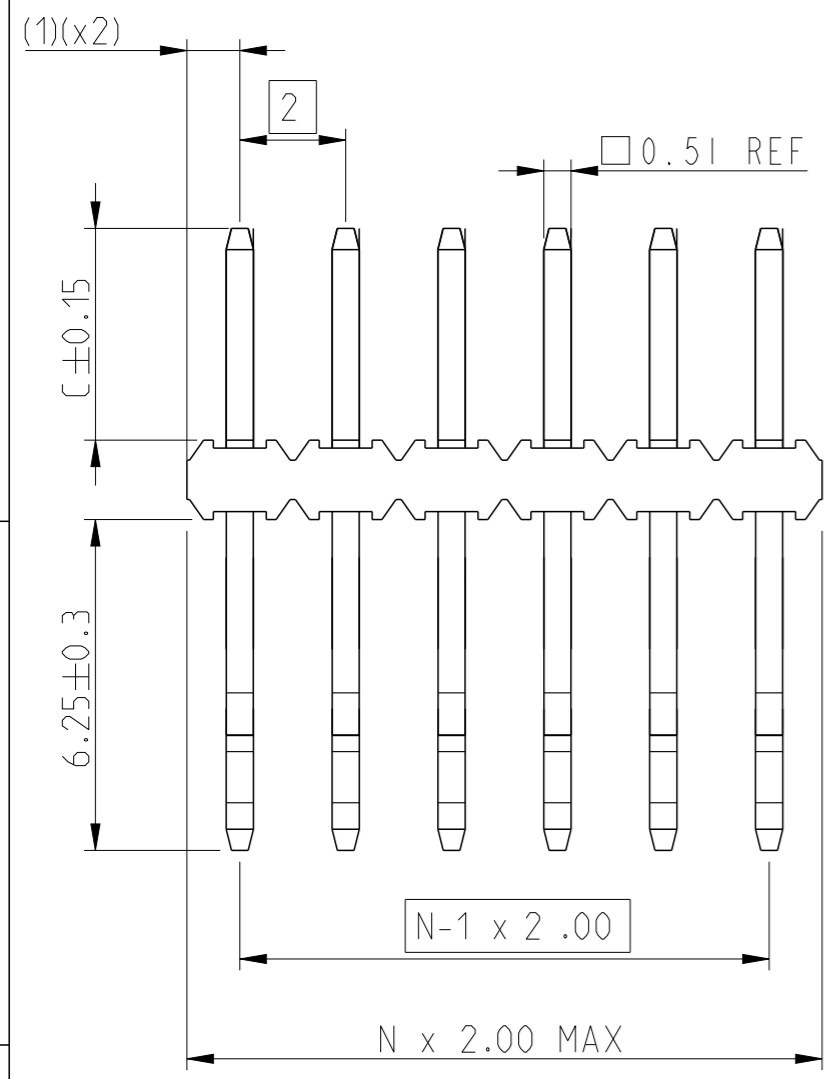
A = Tape and reel with Pick-up cap
See GS-14-1516 As available
U = Tube without Pick-up cap. Only for rows contacts qty from 4 to 25
See GS-14-1551

Blank = Bli box for rows contacts qty 2 and 3 see note 5

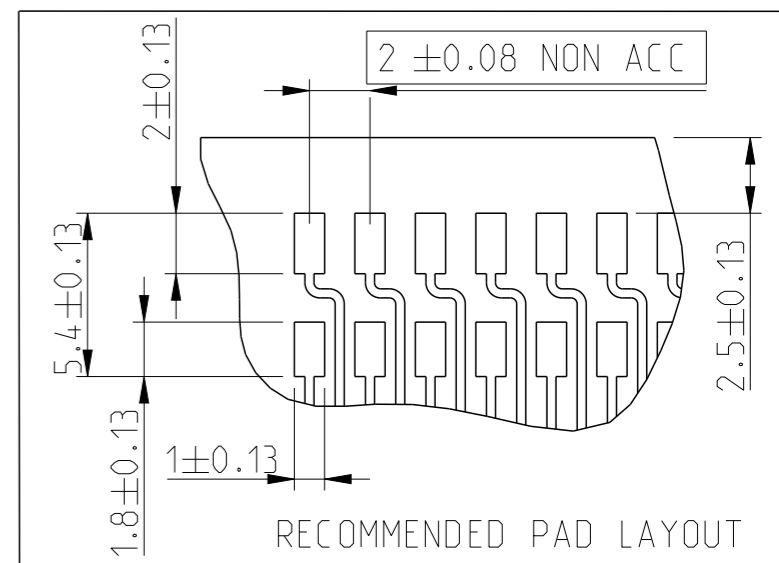
NBR CONTACTS PER ROW : 02 TO 25 = N

STYLE	01	02	03	04	05
DIM C POST LENGTH	3.2	2.0	4.0	7.0	5.84

PLATING : G= 0.76µ Gold/GXT on mating area
2-6µ Pure Tin on solder area
F= Gold flash on mating area
2-6µ pure Tin on solder area
T= 2-6µ pure Tin on mating area
2-6µ pure Tin on solder area
All with 1.27 Ni underplating



SCALE 3:1
VIEW WITH PICK-UP CAP



- NOTES :**
- 1- MATERIALS :
BODY : High Temp thermoplastic 30% GF, COLOR BLACK UL94 V-0
PIN : COPPER ALLOY
 - 2- 7N MIN PIN RETENTION IN EITHER DIRECTION
 - 3- RoHS COMPATIBLE PRODUCT SPECIFICATION :
a- PLATING : LF means the product is Lead Free.
2µ MIN matte Tin over 1.27µ Nickel underplating.
b- MANUFACTURING PRODUCT SPECIFICATION :
Housing will withstand exposure to 260°C peak temperature for 30 secondes in a convection infra-red or vapor phase oven.
c- LABELLING :
Meets packaging specs as per GS-14-920
d- LEGAL STATMENT : See GS-47-0004
 - 4- MINIMUM QUANTITY IN BLI BOX : 500

spec ref	GS-12-652	dr	Alexandre Parr	2014/02/28	projection	mm	size	A3	scale	4:1
tolerance std	ISO 406 ISO 1101	eng	Detouillon, Da	2018/05/24			ecn no	ELX-F-30274-1	rel level	Released
TOLERANCES UNLESS OTHERWISE SPECIFIED		chr	Detouillon, Da	2018/10/01						
surface	linear	0.X	±0.30			dwg no	10112690C	rev	F	sheet 1 of 1
		0.XX	±0.13							
		0.XXX	±0.05							
ISO 1302	angular	0°	±/°	www.fci.com	cat. no.	-	Product - Customer Drw			

Amphenol FCI

© 2016 AFCI

X-ON Electronics

Largest Supplier of Electrical and Electronic Components

Click to view similar products for [Headers & Wire Housings](#) category:

Click to view products by [Amphenol](#) manufacturer:

Other Similar products are found below :

[892-18-020-10-001101](#) [58102-G61-06LF](#) [582553-1](#) [0009485154](#) [009176003701906](#) [0050291907](#) [LY20-4P-DT1-P1E-BR](#) [02.125.8002.8](#)
[609-3404](#) [61062-3](#) [622-0430](#) [622-3653LF](#) [63453-116](#) [636-1030](#) [636-1427](#) [636-3427](#) [636-4007](#) [641938-9](#) [641991-4](#) [644827-2](#) [65817-010LF](#)
[65817-015LF](#) [65863-015LF](#) [66207-023LF](#) [67095-007LF](#) [67601157](#) [68648-049](#) [70.362.1628.0](#) [70-4210](#) [70-4226B](#) [70-4853B](#) [707-5020](#) [707-5028](#) [71.350.2428.0](#) [71918-208LF](#) [71961-016LF](#) [733-134](#) [733-162](#) [754199-000](#) [760-3052](#) [787-8014-00](#) [79531-3000](#) [FCN-360C032-B](#) [FCN-367T-T012/H](#) [FCN-723D010/2](#) [80.063.4001.1](#) [800-90-001-10-001000](#) [800-90-010-10-002000](#) [801-43-002-10-013000](#) [801-43-006-10-002000](#)