

Amphenol  
FCi

© 2016 AFci

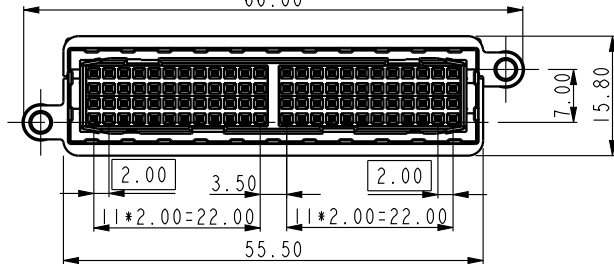
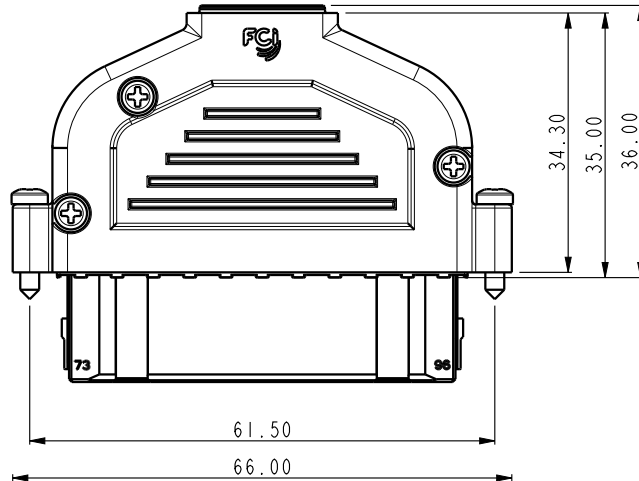
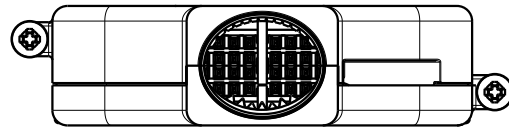
A

B

C

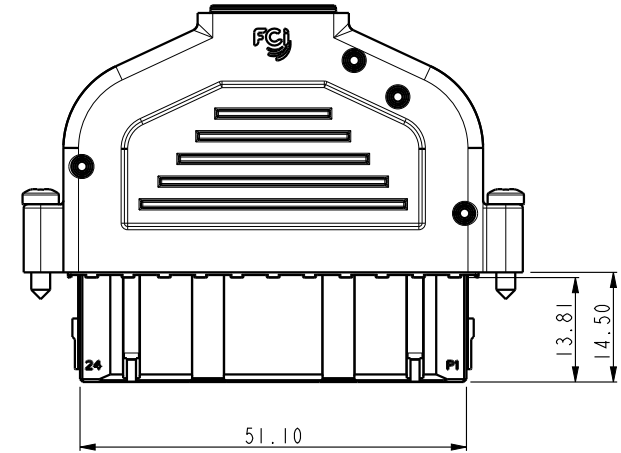
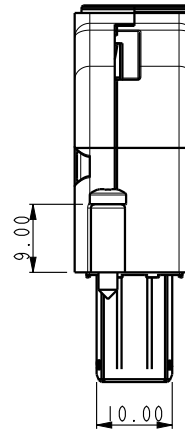
D

Cable KITS P/N	10113575-101LF	10113575-102LF
AWG Size	26	28 & 30



Notes:

1. This product meets europe union directives and other country regulations as described in GS-47-0004.
2. The product is not intended to be exposed to a manufacturing solder process.
3. Material:  
Die casting cover: Zn alloy with Cu; Nickel & pure tin plating  
Shroud housing: Black PBT 30% GF.  
Terminal block housing: Black PBT 30% GF.  
Terminal: Copper alloy  
ESD spring: Steel stainless.  
Screw: Steel stainless
4. Applicable individual wire insulation  $\varnothing 0.90$  MM max.
5. For plating performance level refer drawing #10159408.
6. The cable must be flexible to be bent under the line as below draft shown after cable assembled.
7. Product specification GS-12-562  
Application specification: GS-20-114  
Packaging specification: GS-14-1292

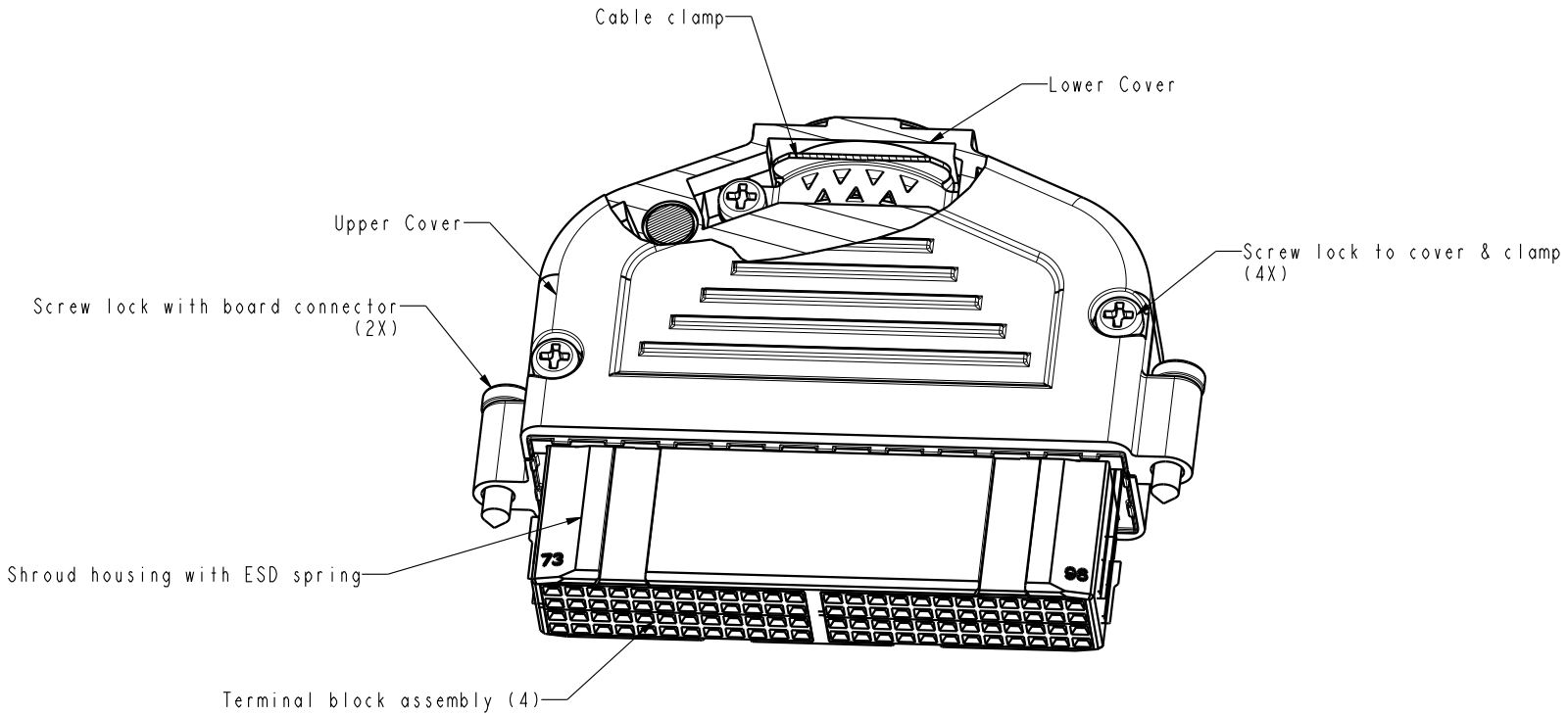


spec ref	*	dr	Junon Huang	2010/03/06	projection	MM	size	A4	scale	1.000					
tolerance std	TOLERANCES UNLESS OTHERWISE SPECIFIED	eng	Narayanan, Aru	2020/10/31			ecn no	ELX-138804-1							
ISO 406		chr	-	-			rel level	Released							
ISO 1101		appr	Kuriakose, San	2020/11/02	product family	-									
surface	linear	Amphenol FCi			title			96pos cable connector			dwg no	10113575	rev	C	
	0.X														±0.3
	0.XX														±0.15
	0.XXX	±0.050	cat. no.			-	Product - Customer Drw			sheet 1 of 2					
ISO 1302	angular	0°	±2°												

Creo File - REV E - 2016-02-12

BOM OF CABLE KITS

CONNECTOR PART NUMBER	COMPONENT PART DETAILS & (QTY)						
	UPPER COVER(1)	LOWER COVER(1)	SHROUD HOUSING WITH ESD SPRING (1)	TERMINAL BLOCK ASSEMBLY (4)	CABLE CLAMP (1)	SCREW LOCK WITH BOARD CONNECTOR (2)	SCREW TO COVER & CLAMP (4)
10113575-101LF	10113576-001LF	10113577-001LF	10087046-001LF	10087045-001LF	10087042-001LF	10087047-001LF	10089066-001LF
10113575-102LF	10113576-001LF	10113577-001LF	10087046-001LF	10087045-002LF	10087042-001LF	10087047-001LF	10089066-001LF



spec ref	*	dr	Junon Huang	2010/03/06	projection	MM	size	A4	scale	1.000
tolerance std	TOLERANCES UNLESS OTHERWISE SPECIFIED	eng	Narayanan, Aru	2020/10/31			ecn no	ELX-I-38804-1		
ISO 406		chr	-	-			rel level	Released		
ISO 1101		appr	Kuriakose, San	2020/11/02	product family	-				
surface	linear	0.X	±0.3	<b>Amphenol FCi</b>	title 96pos cable connector vertical type	dwg no 10113575	rev C	ISO 1302		cat. no. - Product - Customer Drw
<input checked="" type="checkbox"/>	0.XX	±0.15	sheet 2 of 2							
	0.XXX	±0.050								
angular	0°	±2°								

## X-ON Electronics

Largest Supplier of Electrical and Electronic Components

*Click to view similar products for [High Speed/Modular Connectors](#) category:*

*Click to view products by [Amphenol](#) manufacturer:*

Other Similar products are found below :

[650827-1](#) [74040-1346](#) [1410191-1](#) [1410337-1](#) [1410368-3](#) [1410964-2](#) [1410326-3](#) [1410367-3](#) [1410971-4](#) [1467833-1](#) [2000877-1](#) [2000878-1](#)  
[2041314-1](#) [2065387-1](#) [2187307-1](#) [163P](#) [1934290-1](#) [2000875-1](#) [2065917-1](#) [2102736-2](#) [FSR-40](#) [2169868-2](#) [22354-8](#) [437-5040-000](#) [5-](#)  
[1393565-0](#) [039-0246-000](#) [0740618502](#) [0761601016](#) [10123159-12ELF](#) [030-2415-003/100 PK](#) [030-7380-004](#) [030-2494-001](#) [532939-1](#)  
[5532901-3](#) [3-1469268-7](#) [74748-102LF](#) [73670-0247](#) [10041743-101LF](#) [10066670-100002LF](#) [1-533915-1](#) [249-4515-000](#) [7-1469373-3](#) [DL2-](#)  
[2J/S](#) [2000713-8](#) [2000713-7](#) [3011-21](#) [757105208](#) [EBTF-4-10-2.0-S-RA-1](#) [430305-001](#) [4395800100](#)