

1

2

3

4

A

B

C

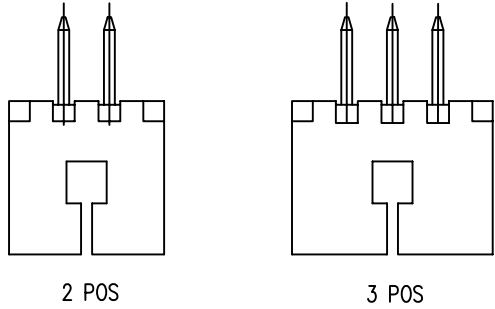
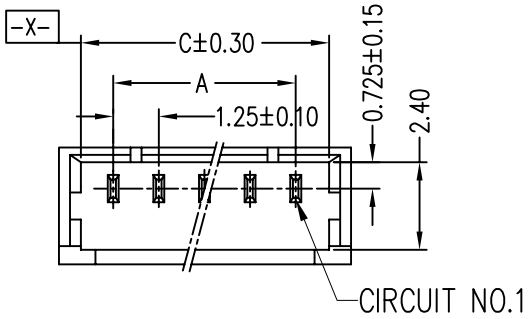
D

A

B

C

D

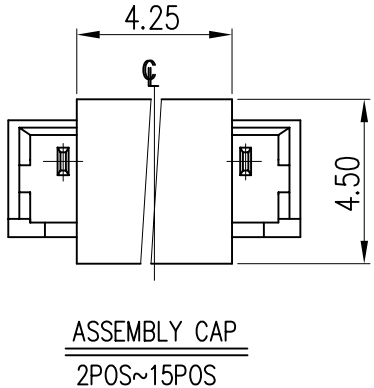
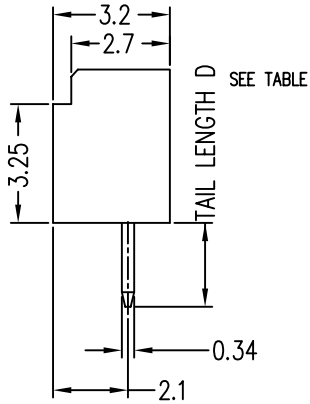
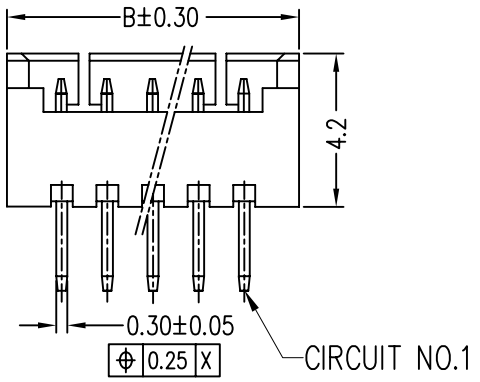


PRELIMINARY

NOTES

- SPECIFICATIONS**  
Current Rating: 1A AC,DC  
Voltage Rating: 125V AC,DC  
Temperature Range: -40°C ~ +105°C  
Contact Resistance: 20mΩ Max.  
Insulation Resistance: 100MΩ Min.  
Withstanding Voltage: 500V AC/minute
- Material & finish:**  
Housing&CAP: Natural Thermoplastic, UL94V-0  
Contact and metal hold-down: Phosphor Bronze  
Plating of contact: Matte Tin or gold plating over Nickel
- Crimping application hand tool P/N:** 10118656-1000
- Ordering Information & Dimensions:**

10114829- X X X XX LF  
Material: LCP  
LF: See note A  
pin code from 02~15(D=2.30mm)  
pin code from 22~35(D=1.90mm)  
Plating:  
0: Matte Tin  
1: Gold Flash  
3: Gold 30u" on contact area  
Packaging:  
1: Tape & Reel  
2: Tape & Reel+CAP

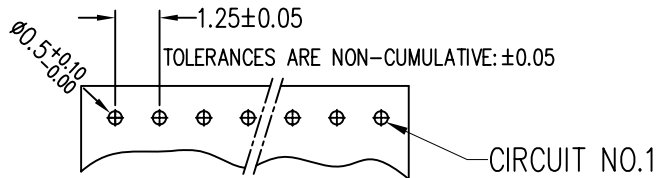


| Part No.         |                  | Dimensions |            |       |       |
|------------------|------------------|------------|------------|-------|-------|
| D=2.30mm         | D=1.90mm         | POS        | A          | B     | C     |
| 10114829-xxx02LF | 10114829-xxx22LF | 2          | 1.25±0.10  | 4.25  | 3.05  |
| 10114829-xxx03LF | 10114829-xxx23LF | 3          | 2.50±0.10  | 5.50  | 4.30  |
| 10114829-xxx04LF | 10114829-xxx24LF | 4          | 3.75±0.10  | 6.75  | 5.55  |
| 10114829-xxx05LF | 10114829-xxx25LF | 5          | 5.00±0.10  | 8.00  | 6.80  |
| 10114829-xxx06LF | 10114829-xxx26LF | 6          | 6.25±0.15  | 9.25  | 8.05  |
| 10114829-xxx07LF | 10114829-xxx27LF | 7          | 7.50±0.15  | 10.50 | 9.30  |
| 10114829-xxx08LF | 10114829-xxx28LF | 8          | 8.75±0.15  | 11.75 | 10.55 |
| 10114829-xxx09LF | 10114829-xxx29LF | 9          | 10.00±0.15 | 13.00 | 11.80 |
| 10114829-xxx10LF | 10114829-xxx30LF | 10         | 11.25±0.20 | 14.25 | 13.05 |
| 10114829-xxx11LF | 10114829-xxx31LF | 11         | 12.50±0.20 | 15.50 | 14.30 |
| 10114829-xxx12LF | 10114829-xxx32LF | 12         | 13.75±0.20 | 16.75 | 15.55 |
| 10114829-xxx13LF | 10114829-xxx33LF | 13         | 15.00±0.20 | 18.00 | 16.80 |
| 10114829-xxx14LF | 10114829-xxx34LF | 14         | 16.25±0.20 | 19.25 | 18.05 |
| 10114829-xxx15LF | 10114829-xxx35LF | 15         | 17.50±0.20 | 20.50 | 19.30 |

Note A: The LF means RoHS compliance, the housing will withstand exposure to peak temperature 260 degree C for 5 sec in the IR re-flow process.



Copyright FCI.



P.C. BOARD LAYOUT  
(PCB THK=0.8)

| rev | ecn no       | dr  | date       |
|-----|--------------|-----|------------|
| A   | T10-0145     | J H | 12/1/10    |
| B   | ELX-N-011322 | J Z | 2012-04-17 |
| C   | ELX-N-15125  | TIM | 2013-07-03 |
| D   | ELX-N-16376  | TIM | 2013-11-27 |
| E   | ELX-N-17616  | TIM | 2014-05-05 |

|                    |             |                                       |                  |              |       |
|--------------------|-------------|---------------------------------------|------------------|--------------|-------|
| www.fciconnect.com |             | surface 6.4                           | tolerance std    | projection   | MM    |
|                    |             | ISO 1302                              | ISO 406 ISO 1101 |              |       |
|                    |             | TOLERANCES UNLESS OTHERWISE SPECIFIED |                  |              |       |
| Dr                 | JASON HSU   | 12/1/10                               | ANGULAR          | 0.X          | ±0.25 |
| Eng                | JASON HSU   | 12/1/10                               | LINEAR           | 0.XX         | ±0.15 |
| Chr                | GARY HSIEH  | 12/1/10                               | 0° ±2°           | 0.XXX        | -     |
| Appr               | JOSEPH HSIA | 12/1/10                               | Product family   |              | WTB   |
|                    |             | Spec ref                              |                  | 10114829     |       |
| title              |             | WTB 1.25MM WAFER 180° DIP             |                  | Rev. E       |       |
| catalog no         |             | CUSTOMER                              |                  | sheet 1 of 1 |       |

1

2

3

4

## X-ON Electronics

Largest Supplier of Electrical and Electronic Components

*Click to view similar products for [Headers & Wire Housings](#) category:*

*Click to view products by [Amphenol](#) manufacturer:*

Other Similar products are found below :

[892-18-020-10-001101](#) [58102-G61-06LF](#) [582553-1](#) [0009485154](#) [009176003701906](#) [0050291907](#) [LY20-4P-DT1-P1E-BR](#) [02.125.8002.8](#)  
[609-3404](#) [61062-3](#) [622-0430](#) [622-3653LF](#) [63453-116](#) [636-1030](#) [636-1427](#) [636-3427](#) [636-4007](#) [641938-9](#) [641991-4](#) [644827-2](#) [65817-010LF](#)  
[65817-015LF](#) [65863-015LF](#) [66207-023LF](#) [67095-007LF](#) [67601157](#) [68648-049](#) [70.362.1628.0](#) [70-4210](#) [70-4226B](#) [70-4853B](#) [707-5020](#) [707-](#)  
[5028](#) [71.350.2428.0](#) [71918-208LF](#) [71961-016LF](#) [733-134](#) [733-162](#) [754199-000](#) [760-3052](#) [787-8014-00](#) [79531-3000](#) [FCN-360C032-B](#) [FCN-](#)  
[367T-T012/H](#) [FCN-723D010/2](#) [80.063.4001.1](#) [800-90-001-10-001000](#) [800-90-010-10-002000](#) [801-43-002-10-013000](#) [801-43-006-10-002000](#)