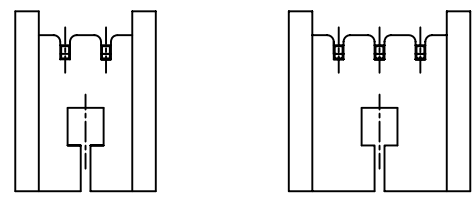
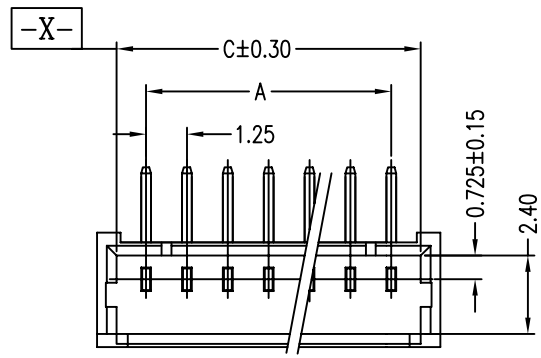


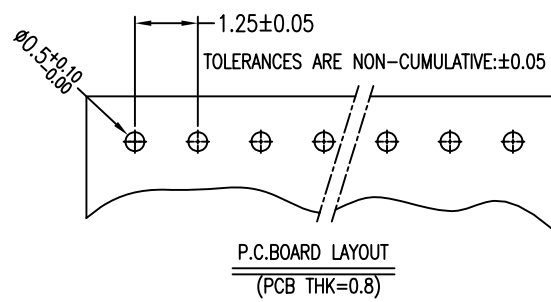
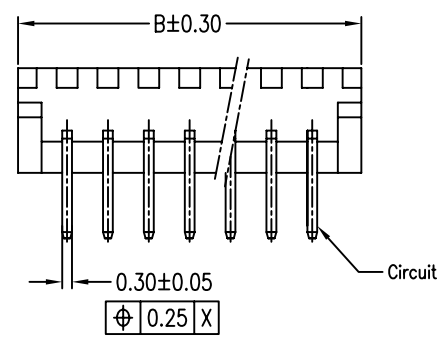
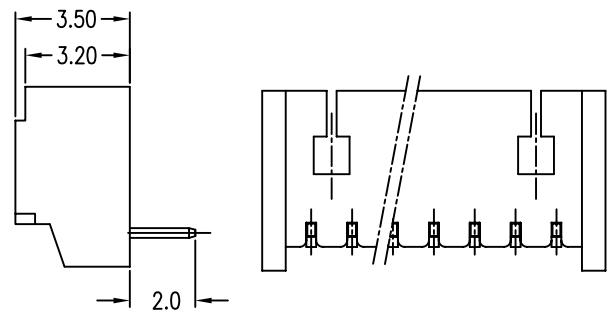
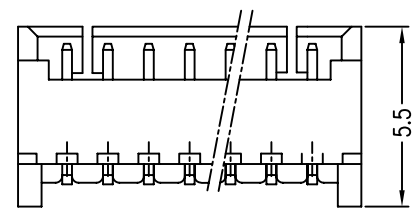


Copyright FCI.

1 2 3 4



2 POS 3 POS



- NOTES:
- SPECIFICATIONS
 Current Rating: 1A AC,DC
 Voltage Rating: 125V AC,DC
 Temperature Range: -40°C ~ +105°C
 Contact Resistance: 20mΩ Max.
 Insulation Resistance: 100MΩ Min.
 Withstanding Voltage: 500V AC/minute
 - Material & finish:
 Housing: Natural Thermoplastic, UL94V-0
 Contact and metal hold-down: Phosphor Bronze
 Plating of contact: Matte Tin or gold plating over Nickel
 - Crimping application hand tool P/N: 10118656-1000
 - Ordering Information & Dimensions:

10114831- X X X XX LF
 Material _____ LF: See note A
 1: LCP _____ pin counts from 02~15
 Plating _____ Packaging
 0: Matte Tin _____ 1: Tape & Reel
 1: Gold Flash
 2: 15u" Gold ON CONTACT AREA
 3: 30u" Gold ON CONTACT AREA

Part No.	Dimensions			
	POS	A	B	C
10114831-xxx02LF	2	1.25±0.10	4.25	3.05
10114831-xxx03LF	3	2.50±0.10	5.50	4.30
10114831-xxx04LF	4	3.75±0.10	6.75	5.55
10114831-xxx05LF	5	5.00±0.10	8.00	6.80
10114831-xxx06LF	6	6.25±0.15	9.25	8.05
10114831-xxx07LF	7	7.50±0.15	10.50	9.30
10114831-xxx08LF	8	8.75±0.15	11.75	10.55
10114831-xxx09LF	9	10.00±0.15	13.00	11.80
10114831-xxx10LF	10	11.25±0.20	14.25	13.05
10114831-xxx11LF	11	12.50±0.20	15.50	14.30
10114831-xxx12LF	12	13.75±0.20	16.75	15.55
10114831-xxx13LF	13	15.00±0.20	18.00	16.80
10114831-xxx14LF	14	16.25±0.20	19.25	18.05
10114831-xxx15LF	15	17.50±0.20	20.50	19.30

Note A: The LF means RoHS compliance, the housing will withstand exposure to peak temperature 260 degree C for 5 sec in the IR re-flow process.

www.fciconnect.com			surface 6.4 ISO 1302	tolerance std ISO 406 ISO 1101	projection ISO 1101	MM
TOLERANCES UNLESS OTHERWISE SPECIFIED			ANGULAR	LINEAR	size A4	Scale 1.000
Dr	JASON HSU	12/1/10	0.X	±0.25	size	ECN
Eng	JASON HSU	12/1/10	0.XX	±0.15	ECN	Spec ref
Chr	GARY HSIEH	12/1/10	0.XXX	-	Product family	WTB
Appr	JOSEPH HSIA	12/1/10	Product family		WTB	Spec ref
FCI			title		WTB 1.25MM WAFER 90° DIP	chg no
			catalog no		CUSTOMER	10114831
						Rev. C
						sheet 1 of 1

rev	ecn no	dr	date
A	T10-0145	J H	12/1/10
B	ELX-N-011223	J.Z	2012-04-17
C	ELX-N-17285	TIM	03/24/14

REV F - 2006-04-17

1 2 3 4

X-ON Electronics

Largest Supplier of Electrical and Electronic Components

Click to view similar products for [Headers & Wire Housings](#) category:

Click to view products by [Amphenol](#) manufacturer:

Other Similar products are found below :

[892-18-020-10-001101](#) [58102-G61-06LF](#) [582553-1](#) [0009485154](#) [009176003701906](#) [0050291907](#) [LY20-4P-DT1-P1E-BR](#) [02.125.8002.8](#)
[609-3404](#) [61062-3](#) [622-0430](#) [622-3653LF](#) [63453-116](#) [636-1030](#) [636-1427](#) [636-3427](#) [636-4007](#) [641938-9](#) [641991-4](#) [644827-2](#) [65817-010LF](#)
[65817-015LF](#) [65863-015LF](#) [66207-023LF](#) [67095-007LF](#) [67601157](#) [68648-049](#) [70.362.1628.0](#) [70-4210](#) [70-4226B](#) [70-4853B](#) [707-5020](#) [707-](#)
[5028](#) [71.350.2428.0](#) [71918-208LF](#) [71961-016LF](#) [733-134](#) [733-162](#) [754199-000](#) [760-3052](#) [787-8014-00](#) [79531-3000](#) [FCN-360C032-B](#) [FCN-](#)
[367T-T012/H](#) [FCN-723D010/2](#) [80.063.4001.1](#) [800-90-001-10-001000](#) [800-90-010-10-002000](#) [801-43-002-10-013000](#) [801-43-006-10-002000](#)