

- NOTES:
- SPECIFICATIONS**  
 Current Rating: 1A AC,DC  
 Voltage Rating: 125V AC,DC  
 Temperature Range: -40°C ~ +105°C  
 Contact Resistance: 20mΩ Max.  
 Insulation Resistance: 100MΩ Min.  
 Withstanding Voltage: 500V AC/minute
  - Material & finish:**  
 Housing: Natural Thermoplastic, UL94V-0  
 Contact and metal hold-down: Phosphor Bronze  
 Plating of contact: Matte Tin or gold plating over Nickel
  - Crimping application hand tool P/N:** 10118656-1000
  - Ordering Information & Dimensions:**  
 10114831- X X X XX X LF

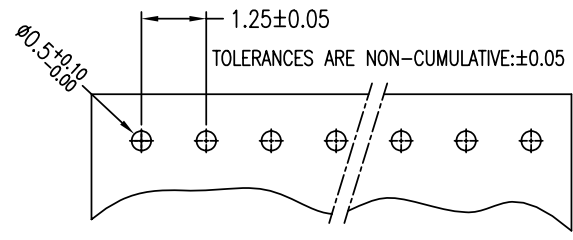
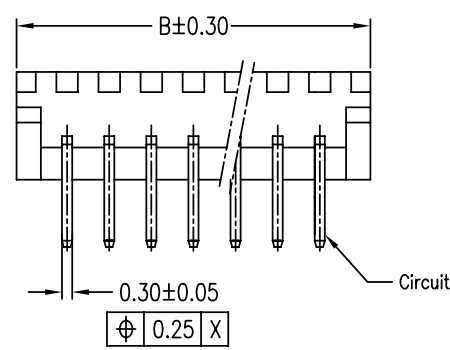
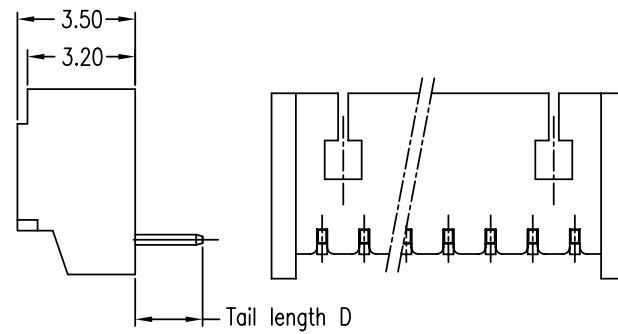
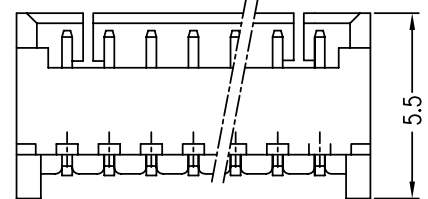
Material: LCP  
 Plating: 0: Matte Tin, 1: Gold Flash, 2: 15u" Gold ON CONTACT AREA, 3: 30u" Gold ON CONTACT AREA  
 LF: See note A  
 VOID/NORMAL: SEE SHEET 2  
 pin code from 02~15(D=2.0mm), pin code from 32~45(D=2.3mm)  
 Packaging: 1: Tape & Reel

A

B

C

D



Part No.		Dimensions			
D=2.0m	D=2.3mm	POS	A	B	C
10114831-xxx02LF	10114831-xxx32LF	2	1.25±0.10	4.25	3.05
10114831-xxx03LF	10114831-xxx33LF	3	2.50±0.10	5.50	4.30
10114831-xxx04LF	10114831-xxx34LF	4	3.75±0.10	6.75	5.55
10114831-xxx05LF	10114831-xxx35LF	5	5.00±0.10	8.00	6.80
10114831-xxx06LF	10114831-xxx36LF	6	6.25±0.15	9.25	8.05
10114831-xxx07LF	10114831-xxx37LF	7	7.50±0.15	10.50	9.30
10114831-xxx08LF	10114831-xxx38LF	8	8.75±0.15	11.75	10.55
10114831-xxx09LF	10114831-xxx39LF	9	10.00±0.15	13.00	11.80
10114831-xxx10LF	10114831-xxx40LF	10	11.25±0.20	14.25	13.05
10114831-xxx11LF	10114831-xxx41LF	11	12.50±0.20	15.50	14.30
10114831-xxx12LF	10114831-xxx42LF	12	13.75±0.20	16.75	15.55
10114831-xxx13LF	10114831-xxx43LF	13	15.00±0.20	18.00	16.80
10114831-xxx14LF	10114831-xxx44LF	14	16.25±0.20	19.25	18.05
10114831-xxx15LF	10114831-xxx45LF	15	17.50±0.20	20.50	19.30

Note A: The LF means RoHS compliance, the housing will withstand exposure to peak temperature 260 degree C for 5 sec in the IR re-flow process.



Copyright FCI.

www.fciconnect.com		surface 6.4 ISO 1302	tolerance std ISO 406 ISO 1101	projection MM	MM
		TOLERANCES UNLESS OTHERWISE SPECIFIED		size A4	Scale 1.000
Dr	JASON HSU	12/1/10	ANGULAR	0.X ±0.25	
Eng	JASON HSU	12/1/10	LINEAR	0.XX ±0.15	
Chr	GARY HSIEH	12/1/10	0° ±2°	0.XXX -	ECN
Appr	JOSEPH HSIA	12/1/10	Product family	WTB	Spec ref
FCI			title	WTB 1.25MM WAFER 90° DIP	dwg no
			catalog no	CUSTOMER	10114831
					Rev. D
					sheet 1 of 2

rev	ecn no	dr	date
A	T10-0145	J H	12/1/10
B	ELX-N-011323	J.Z	2012-04-17
C	ELX-N-17285	TIM	03/24/14
D	ELX-N-17975	TIM	2014-06-17

1

2

3

4

A

B

C

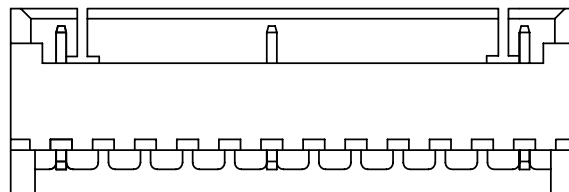
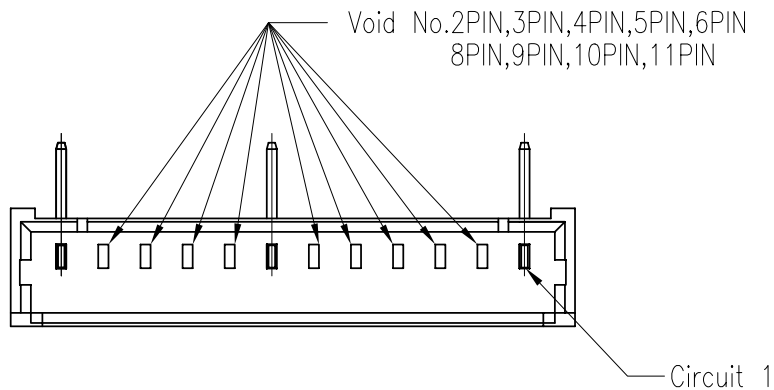
D

A

B

C

D



10114831-XXXXX1LF



Copyright FCI.

REV F - 2006-04-17

1

2

3

4

www.fciconnect.com			surface 6.4 ISO 1302	tolerance std ISO 406 ISO 1101	projection ISO 1101	MM ↔
TOLERANCES UNLESS OTHERWISE SPECIFIED			ANGULAR	LINEAR	size A4	Scale 1.000
Dr	JASON HSU	12/1/10	0°	±2°	0.X ±0.25	ECN
Eng	JASON HSU	12/1/10	0.XX ±0.15			
Chr	GARY HSIEH	12/1/10	0.XXX -			
Appr	JOSEPH HSIA	12/1/10	Product family WTB		Spec ref	
FCI			title WTB 1.25MM WAFER 90° DIP		dwg no 10114831	Rev. D
			catalog no		CUSTOMER	sheet 2 of 2

rev	ecn no	dr	date
D			

PDS: Rev :D

STATUS:Released

Printed: Jun 18, 2014

## X-ON Electronics

Largest Supplier of Electrical and Electronic Components

*Click to view similar products for [Headers & Wire Housings](#) category:*

*Click to view products by [Amphenol](#) manufacturer:*

Other Similar products are found below :

[95000-104TRLF](#) [10135584-644402LF](#) [DF62W-EP2022PCA](#) [95000-106TRLF](#) [DF62W-2022SCA](#) [DF62W-EP2022PC](#) [2203348](#) [DF62W-2022SC](#) [1084018](#) [1029039](#) [1084017](#) [802-10-012-10-002000](#) [1112640](#) [1112639](#) [000-34000](#) [0009482033](#) [0009507031](#) [57102-S06-03LF](#) [57202-S52-04LF](#) [PCN6-15S-2.5E](#) [0039019024](#) [58102-G61-06LF](#) [582553-1](#) [0009485154](#) [0009508121](#) [0022285053](#) [0050291907](#) [018731A](#) [LY20-4P-DT1-P1E-BR](#) [02.125.8002.8](#) [60101931](#) [60598-1 \(Cut Strip\)](#) [M1625-3R/100](#) [61062-3](#) [61082-181009](#) [636-1427](#) [638009-1](#) [641938-9](#) [641991-4](#) [644168-1](#) [647662-1](#) [65039-019ELF](#) [65781-047](#) [65817-002LF](#) [65817-015LF](#) [65863-015LF](#) [66207-023LF](#) [67016-026LF](#) [67046-001LF](#) [67095-007LF](#)