

10115240- X X X X X LF

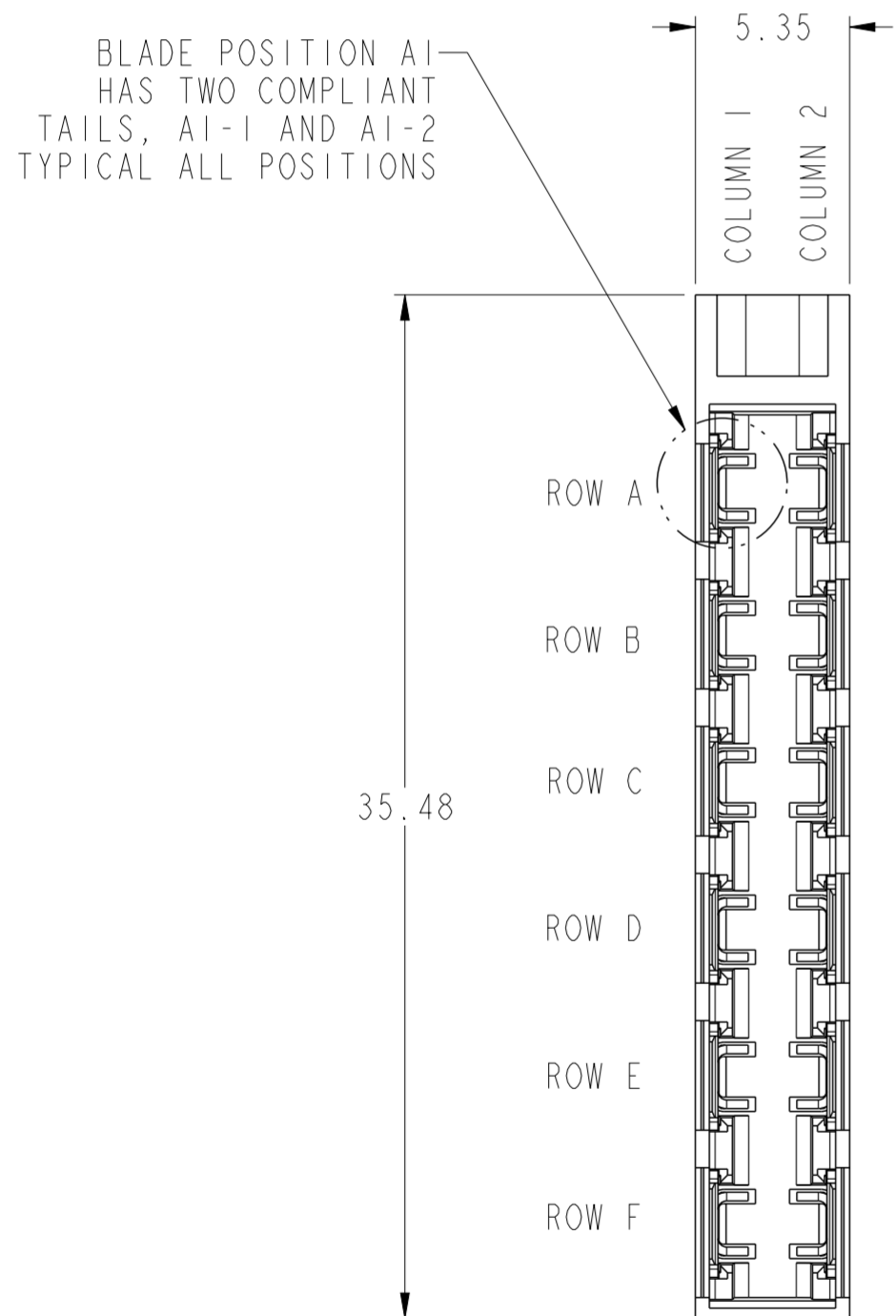
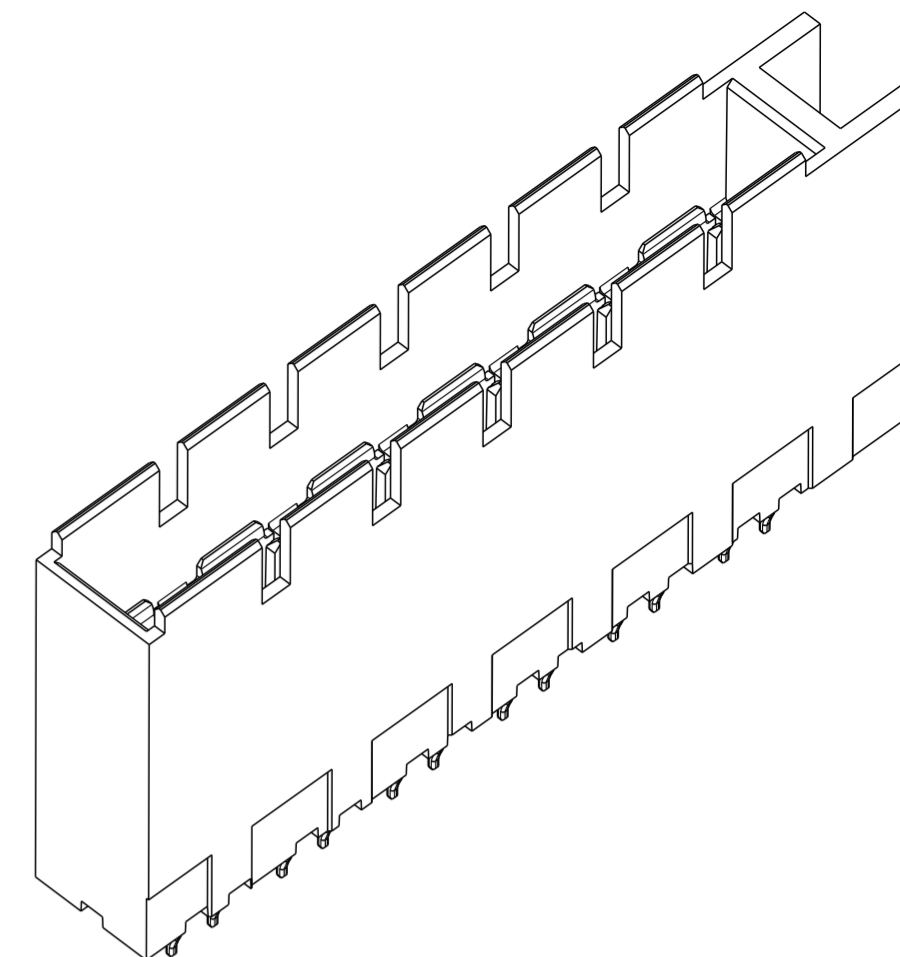
LEAD-FREE DESIGNATION ADDED ONLY WHEN APPLICABLE.

SEQUENTIALLY ASSIGNED FOR CUSTOM LOADING CONFIGURATIONS (SEE TABLE, SHEET 5)
"00" FOR STANDARD LOADING (UNIFORM CONTACT LENGTH, ALL POSITION)

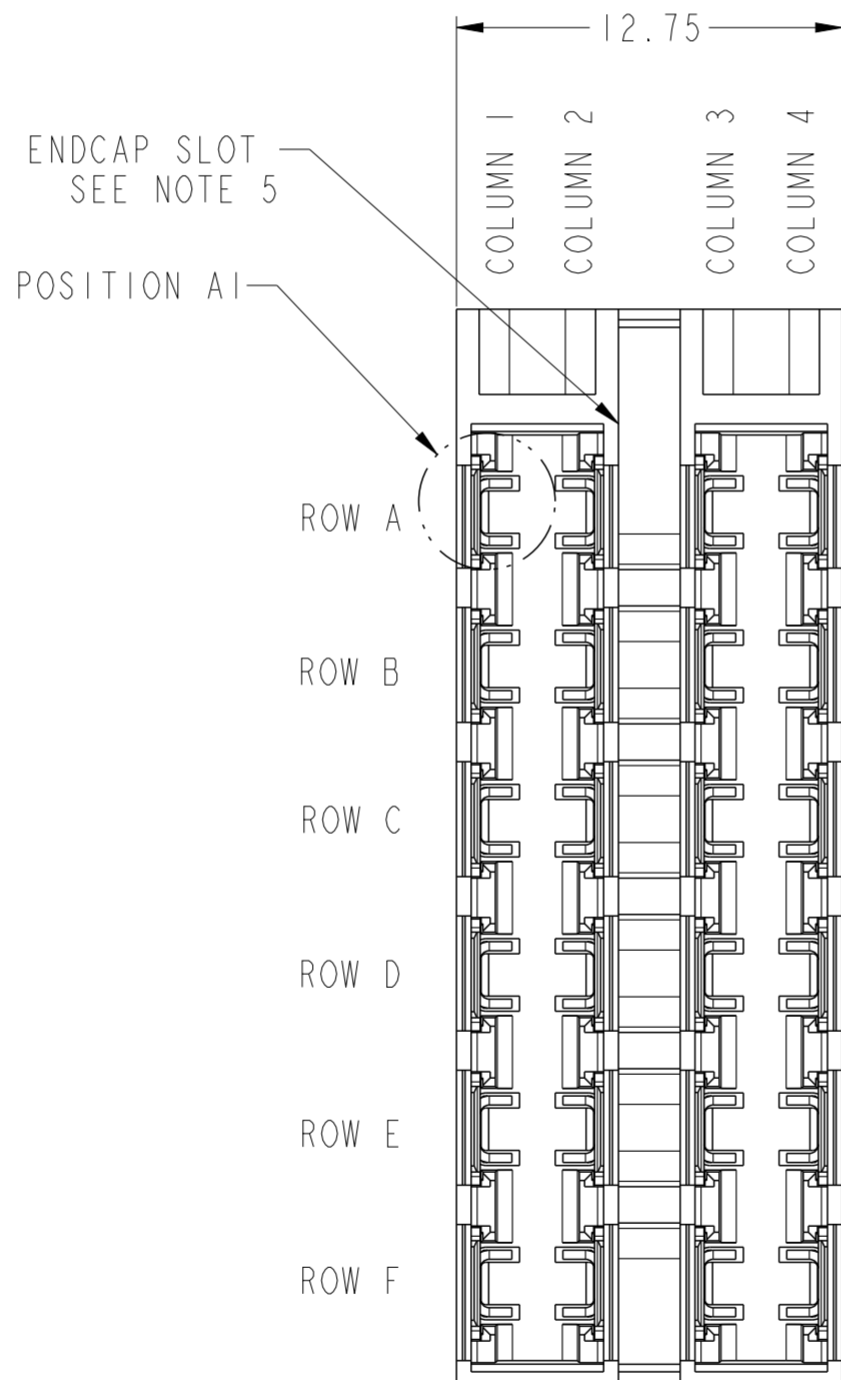
PLATING CODE	
I	SEPARABLE INTERFACE: PERFORMANCE-BASED PLATING, TELCORDIA CO (SEE NOTE 2) PRESS-FIT TAILS: TIN OR TIN-LEAD BASED ON LEAD-FREE "LF" SUFFIX
5	SEPARABLE INTERFACE: PERFORMANCE-BASED PLATING, TELCORDIA UE (SEE NOTE 2) PRESS-FIT TAIL: TIN OR TIN-LEAD ON BASED ON LEAD-FREE "LF" SUFFIX
D	SEPARABLE INTERFACE: CUSTOMER SPECIFIC PLATING PRESS-FIT TAIL: TIN OR TIN-LEAD ON BASED ON LEAD-FREE "LF" SUFFIX
E	SEPARABLE INTERFACE: CUSTOMER SPECIFIC PLATING PRESS-FIT TAIL: TIN OR TIN-LEAD ON BASED ON LEAD-FREE "LF" SUFFIX

NUMBER OF POWER SLOTS	
1	ONE POWER SLOT ("1-UP" MODULE)
2	TWO POWER SLOTS ("2-UP" MODULE)
3	THREE POWER SLOTS ("3-UP" MODULE)

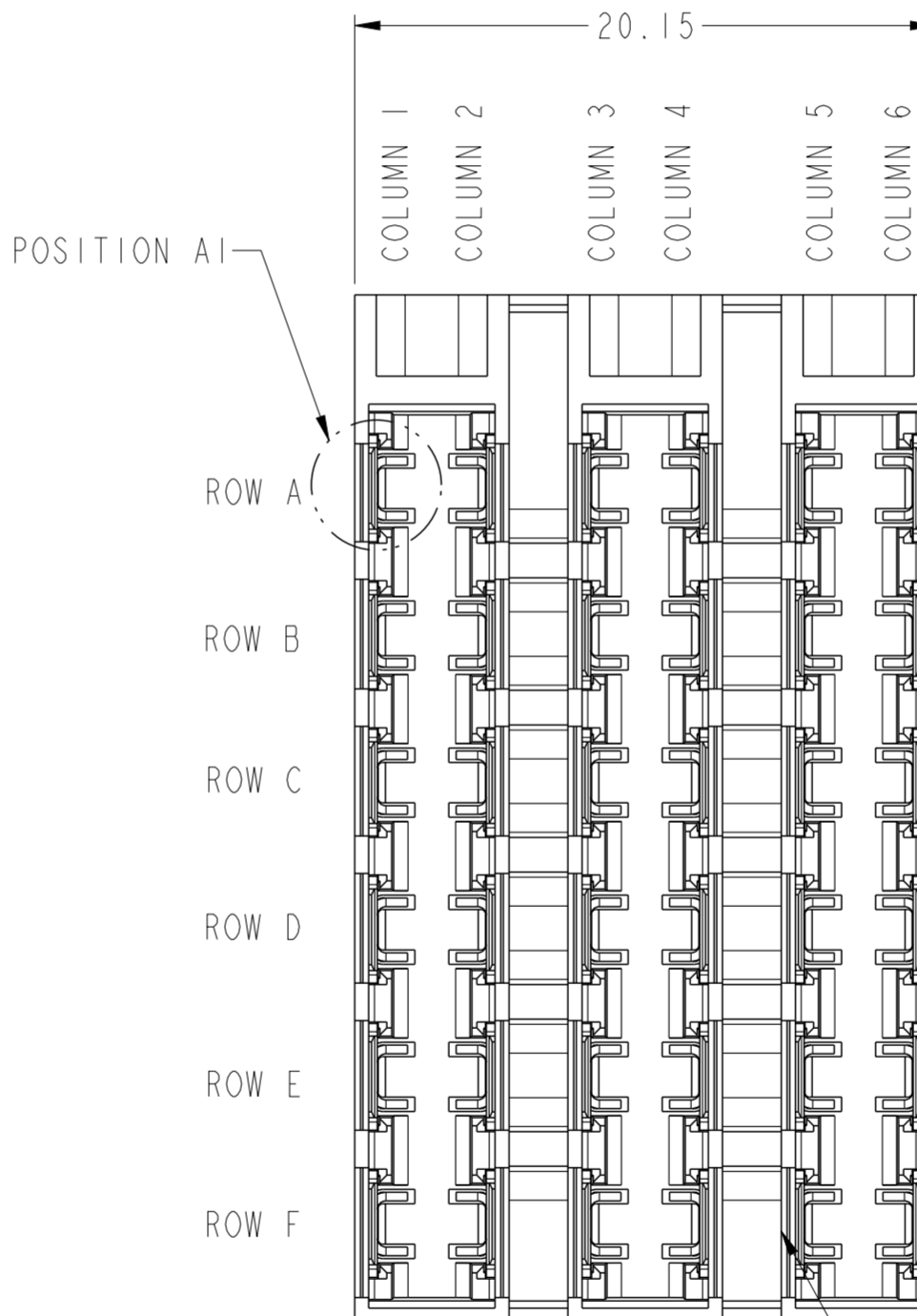
CONTACT WIPE LENGTH	
0	CUSTOM LOADED CONTACTS
1	4.5mm ALL CONTACTS
2	6.0mm ALL CONTACTS
3	7.5mm ALL CONTACTS



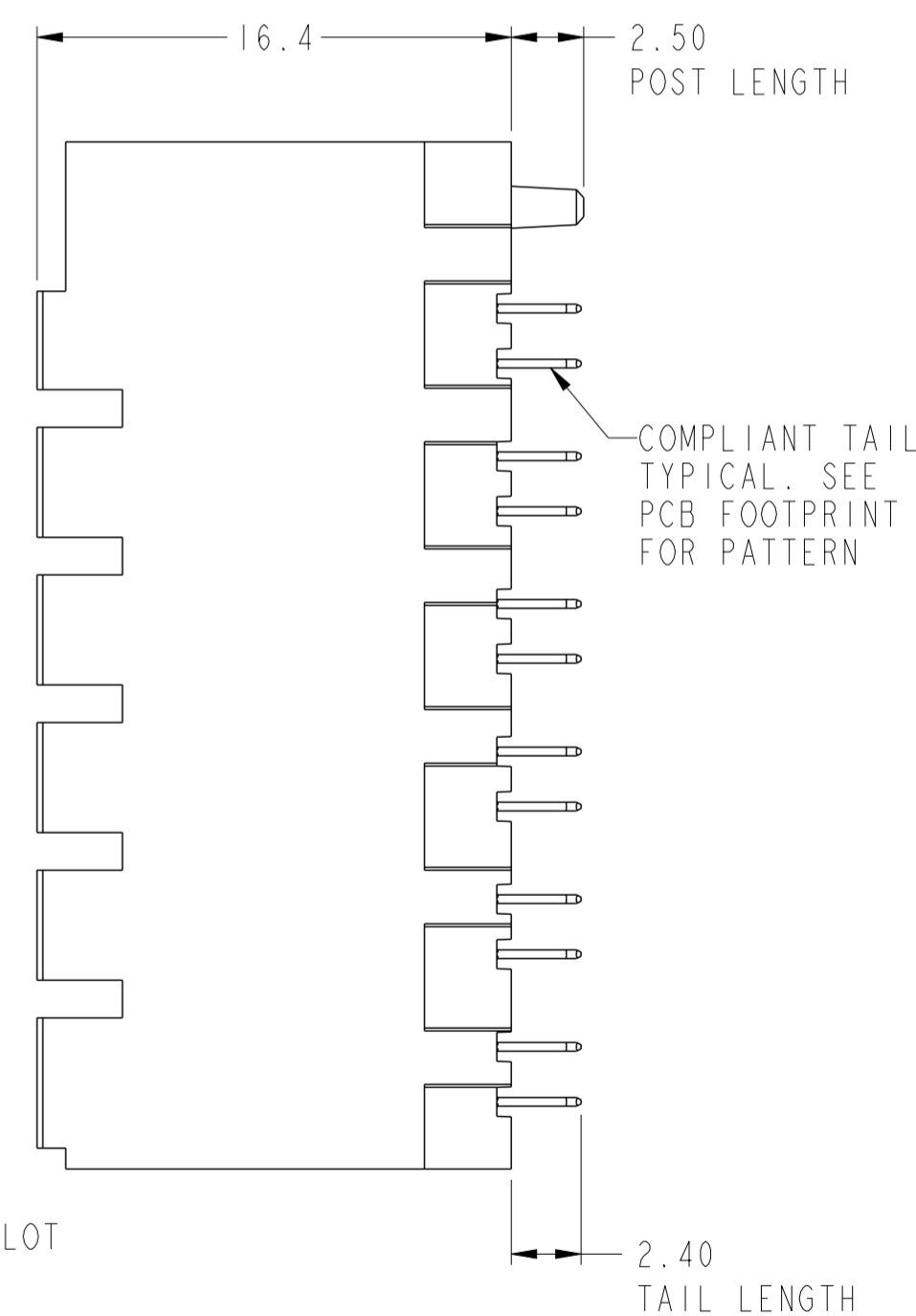
1-SLOT POWER MODULE MATING-FACE VIEW



2-SLOT POWER MODULE MATING-FACE VIEW



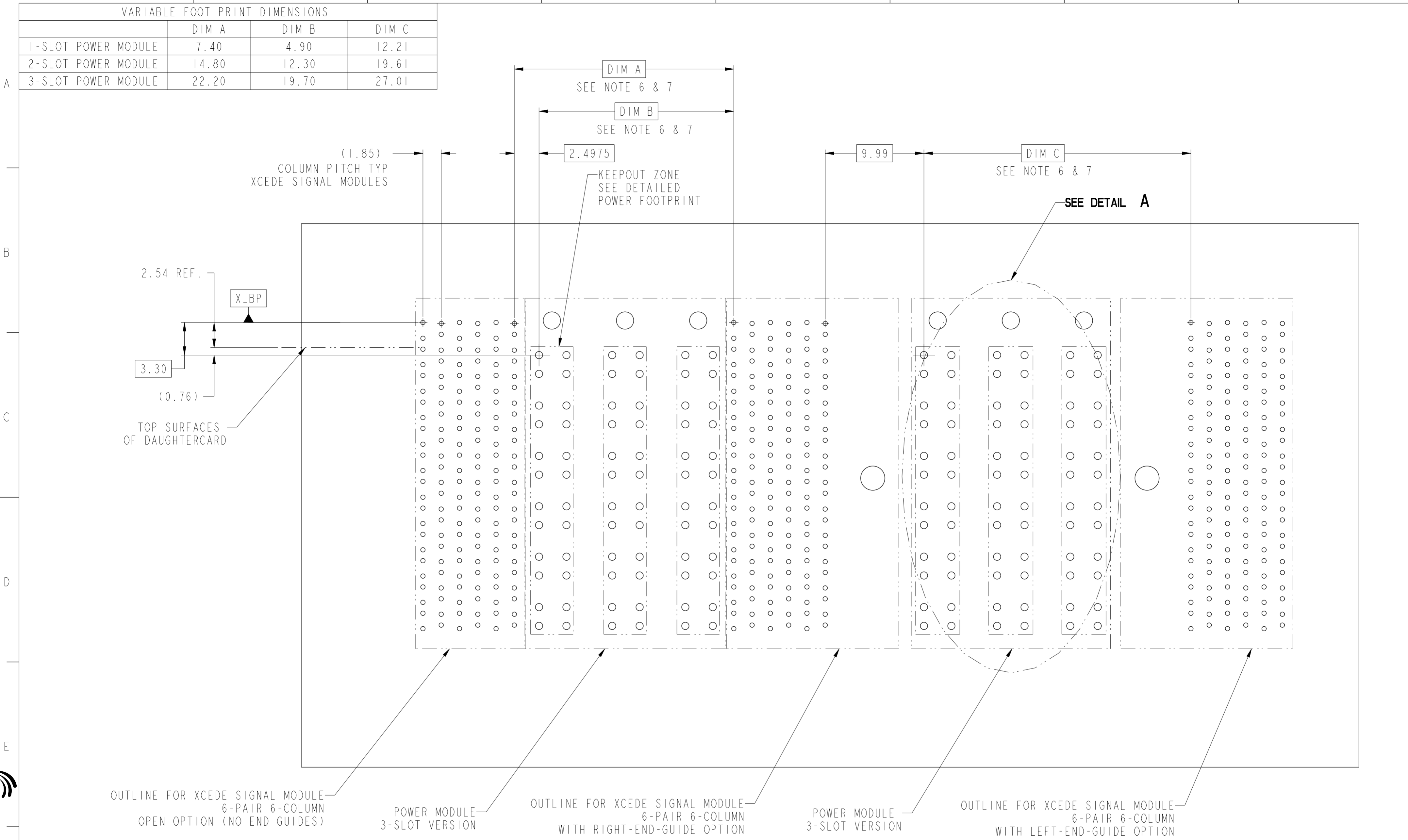
3-SLOT POWER MODULE MATING-FACE VIEW



spec ref	-	dr	Roger Ng	2011/10/09	projection	MM	size	A2	scale	2:1
tolerance std	ASME Y14.5	eng	Lin-Soe Ngwe	2012/11/19			ecn no	-	rel level	Released
	TOLERANCES UNLESS OTHERWISE SPECIFIED	chr	-	appr						
surface	linear	0.X	±0.25		MODULE ASSEMBLY, POWER Vertical, 6-Pair, Xcede (Std Profile)	dwg no 10115240	rev A	Product - Customer Drw		
	0.XX	±0.13	www.fci.com					cat. no.	-	sheet 1 of 5
	0.XXX	±								
	angular	0°	±°							



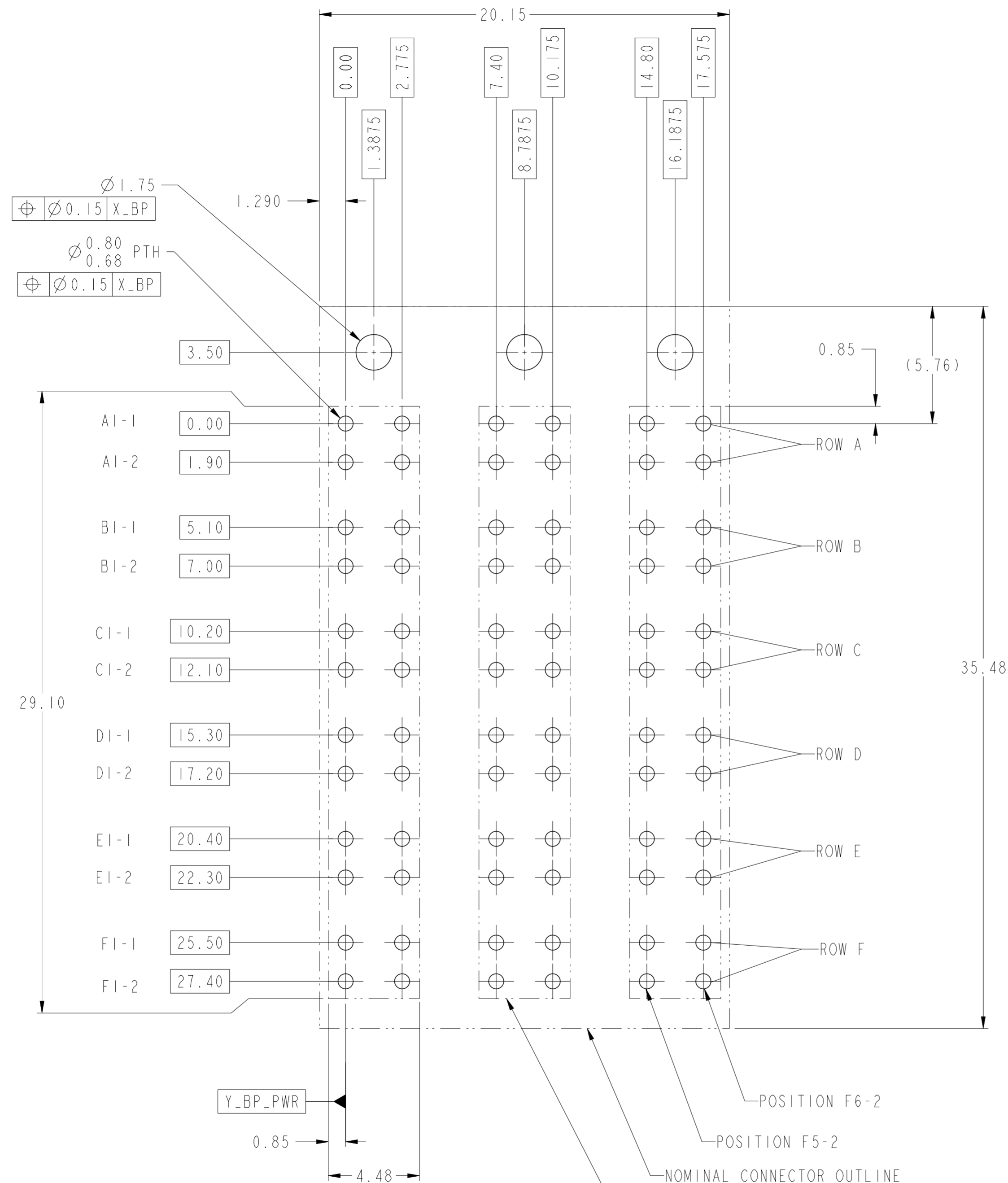
VARIABLE FOOT PRINT DIMENSIONS			
	DIM A	DIM B	DIM C
1-SLOT POWER MODULE	7.40	4.90	12.21
2-SLOT POWER MODULE	14.80	12.30	19.61
3-SLOT POWER MODULE	22.20	19.70	27.01



POWER MODULE FOOTPRINT LOCATION RELATIVE TO XCEDE SIGNAL MODULES

spec ref	-	dr	Roger Ng	2011/10/09	projection	MM	size	A2	scale	4:1											
tolerance std	ASME Y14.5	eng	Lin-Soe Ngwe	2012/11/19			ecn no	-	rel level	Released											
TOLERANCES UNLESS OTHERWISE SPECIFIED		chr	-	product family							XCEDE										
surface	<table border="1"> <tr> <td>linear</td> <td>0.X</td> <td>±0.25</td> </tr> <tr> <td></td> <td>0.XX</td> <td>±0.13</td> </tr> <tr> <td></td> <td>0.XXX</td> <td>±-</td> </tr> <tr> <td>ASME Y14.5</td> <td>angular</td> <td>0°</td> <td>±°</td> </tr> </table>	linear	0.X	±0.25								0.XX	±0.13		0.XXX	±-	ASME Y14.5	angular	0°	±°	appr
linear	0.X	±0.25																			
	0.XX	±0.13																			
	0.XXX	±-																			
ASME Y14.5	angular	0°	±°																		
				MODULE ASSEMBLY, POWER Vertical, 6-Pair, Xcede (Std Profile)		dwg no 10115240	rev A														

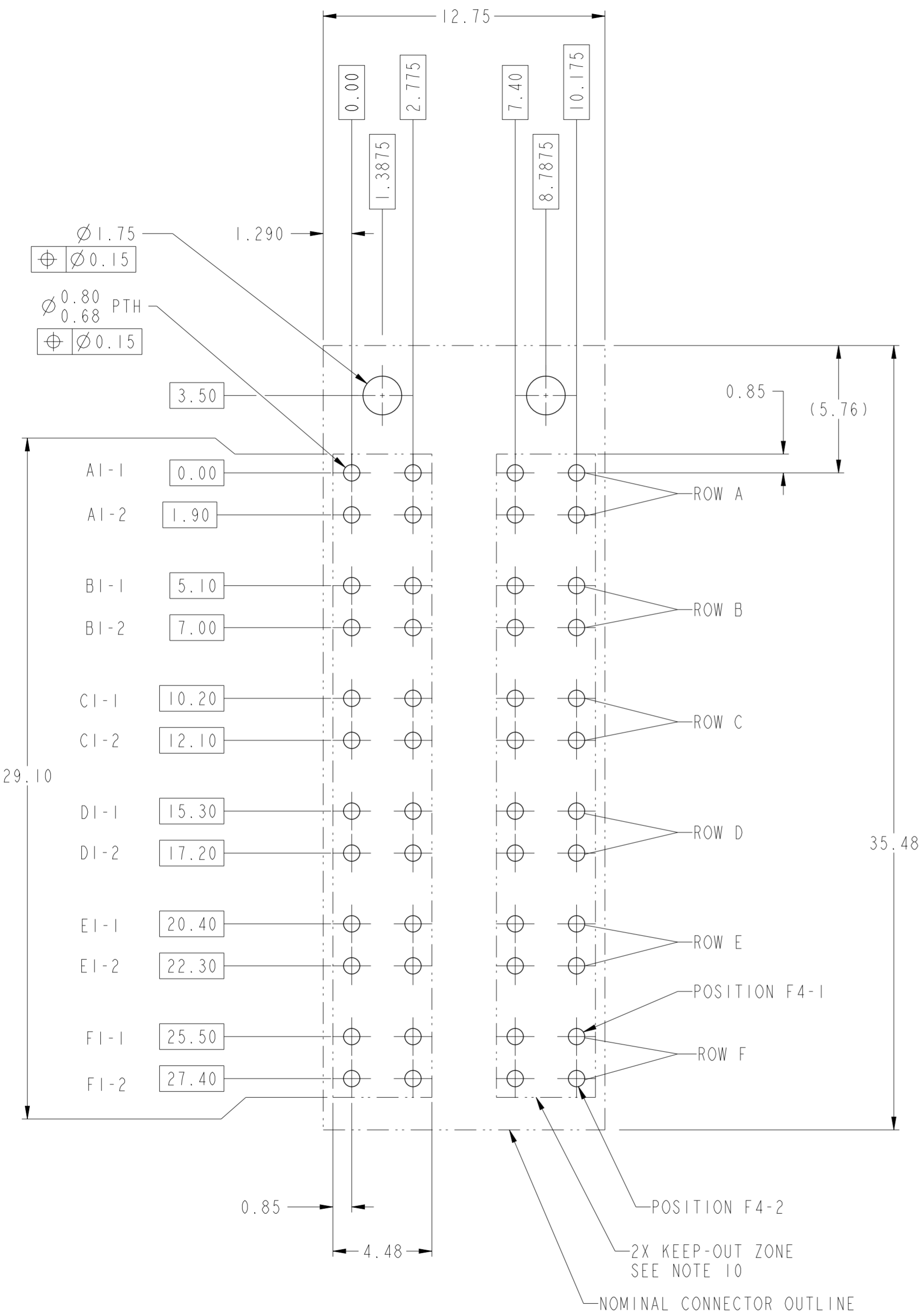
Copyright FCI.



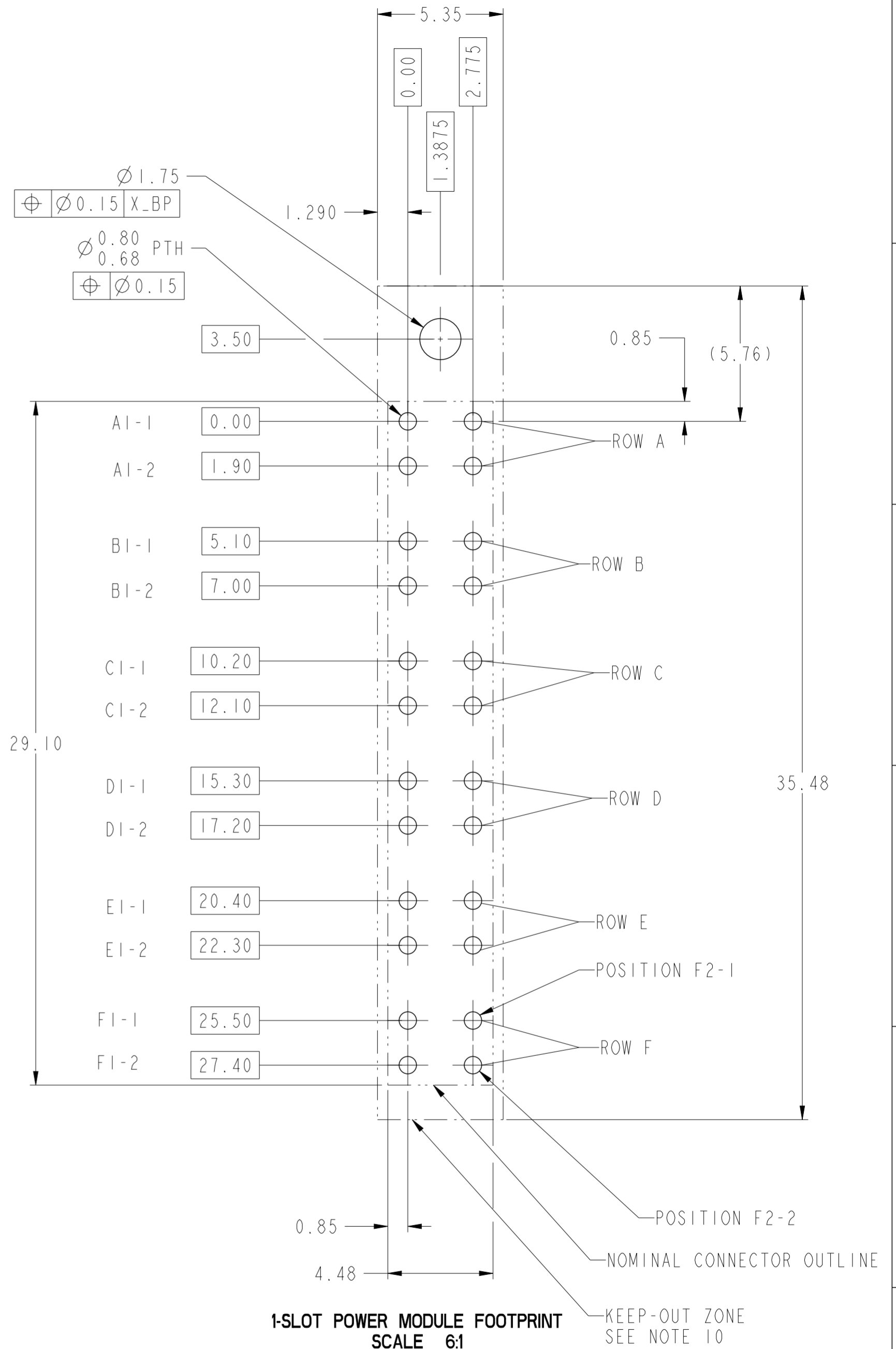
DETAIL A
3-SLOT POWER MODULE FOOTPRINT
SCALE 6:1

spec ref	-	dr	Roger Ng	2011/10/09	projection	MM	size	A2	scale	4:1									
tolerance std	ASME Y14.5	eng	Lin-Soe Ngwe	2012/11/19			ecn no	-	rel level	Released									
TOLERANCES UNLESS OTHERWISE SPECIFIED		chr	-	app							Chen-Hong Tan	2012/11/19	product family	XCEDE					
surface	<table border="1"> <tr> <td>linear</td> <td>0.X</td> <td>±0.25</td> </tr> <tr> <td></td> <td>0.XX</td> <td>±0.13</td> </tr> <tr> <td></td> <td>0.XXX</td> <td>±-</td> </tr> <tr> <td>angular</td> <td>0°</td> <td>±°</td> </tr> </table>	linear	0.X	±0.25		0.XX	±0.13		0.XXX	±-	angular	0°	±°			MODULE ASSEMBLY, POWER Vertical, 6-Pair, Xcede (Std Profile)		divg no 10115240	rev A
linear	0.X	±0.25																	
	0.XX	±0.13																	
	0.XXX	±-																	
angular	0°	±°																	
ASME Y14.5	www.fci.com	cat. no.	-	Product - Customer Drw	sheet 3 of 5														

Copyright FCI. FCI



2-SLOT POWER MODULE FOOTPRINT
SCALE 6:1



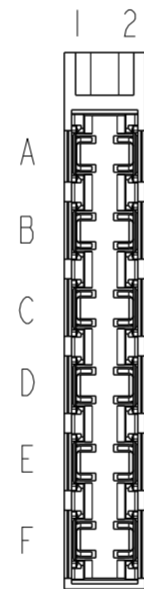
1-SLOT POWER MODULE FOOTPRINT
SCALE 6:1

Copyright FCI.

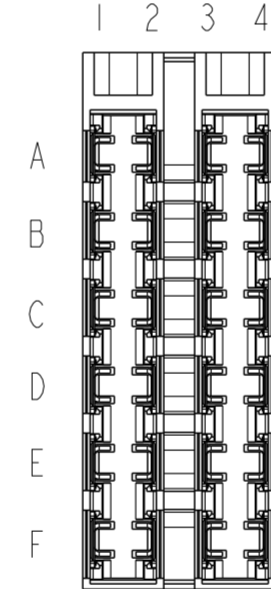
spec ref	-	dr	Roger Ng	2011/10/09	projection	MM	size	A2	scale	4:1
tolerance std	ASME Y14.5	eng	Lin-Soo Ngwe	2012/1/19	chr	-	ecn no	-	rel level	Released
surface	✓	appr	Chen-Hong Tan	2012/1/19	product family	XCEDE	cat. no.	10115240	rev	A
ASME Y14.5	linear	0.X	±0.25	angular	0°	±°	www.fci.com	Product - Customer Drw	sheet 4 of 5	

NOTES:

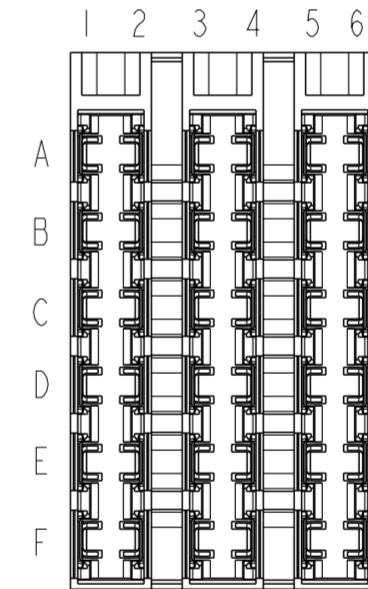
1. CONNECTOR MATERIALS:
HOUSING: HIGH-TEMP THERMOPLASTIC, BLACK, UL94V-0
CONTACTS: HIGH PERFORMANCE COPPER ALLOY
2. CONTACT PLATING:
SEPARABLE INTERFACE:
PERFORMANCE -BASED PLATING, QUALIFIED TO MEET THE REQUIREMENTS OF FCI PRODUCT SPECIFICATION GS-12-0989, INCLUDING TELCORDIA GR-1217-CORE (NOVEMBER 1995) CENTRAL OFFICE TEST SEQUENCE.
PRESS FIT TAILS: TIN OR TIN-LEAD ON TAILS, NICKEL UNDERPLATE
3. EACH POWER CONTACT BLADE HAS TWO COMPLIANT PINS
4. THE MODULES SHOWN ON THIS DRAWING MATE WITH FCI DAUGHTERCARD POWER MODULE P/N 10091828-XXX
- ⑤ "2-SLOT" AND "3-SLOT" MODULES WILL ACCEPT DC ENDCAPS BETWEEN DC POWER MODULES WITH NO ADDITIONAL SPACE REQUIREMENTS.
- ⑥ WHEN USING ENDCAPS BETWEEN SIGNAL WAFERS AND DC POWER MODULES, ADD 1.85mm BETWEEN MODULES FOR EACH ENDCAP
- ⑦ FOR EACH ADDITIONAL POWER MODULE, ADD 5.55mm FOR "1-SLOT" MODULES, 12.95mm FOR "2-SLOT" MODULES, AND 20.35mm FOR "3-SLOT" MODULES.
8. PRODUCT SPECIFICATION: GS-12-0989
9. APPLICATION SPECIFICATION: GS-20-0342
- ⑩ NO SURFACE TRACES IN KEEP-OUT ZONE
11. PART MARKING, (PART NUMBER, LOT CODE), ON THIS SURFACE.
12. LEAD-FREE PRODUCT MEETS THE EUROPEAN UNION DIRECTIVES AND OTHER COUNTRY REGULATIONS AS DESCRIBED IN FCI SPECIFICATION GS-22-008.
13. PACKAGING MEETS FCI SPECIFICATION GS-14-920 FOR LEAD FREE LABELLING.



1-SLOT POWER MODULE
MATING- FACE VIEW



2-SLOT POWER MODULE
MATING- FACE VIEW



3-SLOT POWER MODULE
MATING- FACE VIEW

Copyright FCI. FCI

spec ref	-	dr	Roger Ng	2011/10/09	projection	MM	size	A2	scale	2:1
tolerance std	ASME Y14.5	eng	Lin-Soe Ngwe	2012/11/19			ecn no	-	rel level	
TOLERANCES UNLESS OTHERWISE SPECIFIED		chr	-	product family			XCEDE	rel level	Released	
surface	✓	appr	Chen-Hong Tan	2012/11/19			title	MODULE ASSEMBLY, POWER		rev
ASME Y14.5	linear			cat. no.	-	Product - Customer Drw	dwg no	10115240	sheet 5 of 5	A
	angular	0°	±°							

X-ON Electronics

Largest Supplier of Electrical and Electronic Components

Click to view similar products for [USB Cables / IEEE 1394 Cables category](#):

Click to view products by [Amphenol manufacturer](#):

Other Similar products are found below :

[68768-0173](#) [FNY-W6003-01](#) [88764-0800](#) [13805532](#) [148700-1](#) [17-200621](#) [17-250051P](#) [954](#) [AC102012-2](#) [IP-USB1\(C10\)S-RW](#)
[CABLE/RTP/USB/DT](#) [0847290003](#) [10115240-12200LF](#) [RS232-GTD](#) [USBFTVX2SA2N03A](#) [USBFTV2SA2N03A](#) [1689404-1](#) [FTP-](#)
[629Y401](#) [FTP-628Y402](#) [943301-001](#) [FNY-W6022](#) [FNY-W6003-03](#) [1310-1015-05](#) [1310-1019-04](#) [0887283402](#) [UA-30AMFM-SL7B02](#) [UA-](#)
[30AMFM-SL7B01](#) [UA-30AFM-LD7B03](#) [UA-30AMFM-SL7B03](#) [USBAPSCC7202A](#) [UES-1001A160](#) [UES-1003A160](#)
[USBFTVX7SA2N20A](#) [USBFTVX2SA2N20A](#) [USBFTV2PEMSA2N10A](#) [FTP-629Y602](#) [USBCAMCM100](#) [USB A/F*2 to 2.54 2*5P-SH](#)
[L=400mm](#) [EP-CBUSB10P2FLT](#) [1310-1033-01](#) [1310-1037-04](#) [ASR-USB](#) [68784-0075](#) [17-241361](#) [17-230471](#) [217B-BC02](#) [USB-29](#) [19800-](#)
[010500-200-RS](#) [USB+MINI DIN 6P WITH BKT](#) [088738-8100](#)