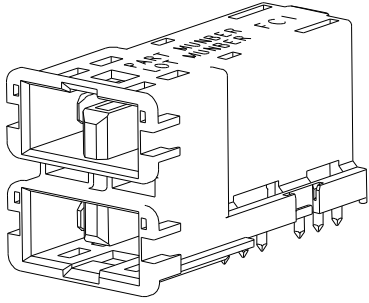
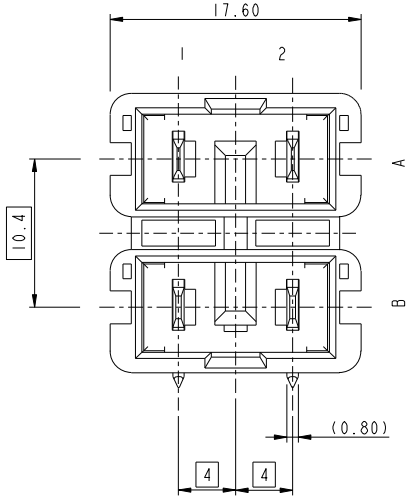
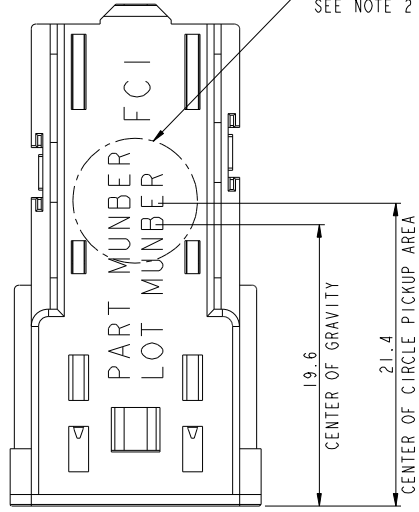


PART NUMBER	DIM "A"	PCB THICKNESS	CONTACT FINISH
10115670-201LF	2.6	1.6-2.4mm ±10%	Sn over Ni

A  
B  
C  
D  
E  
F



CONNECTOR WITHOUT SHIELDING

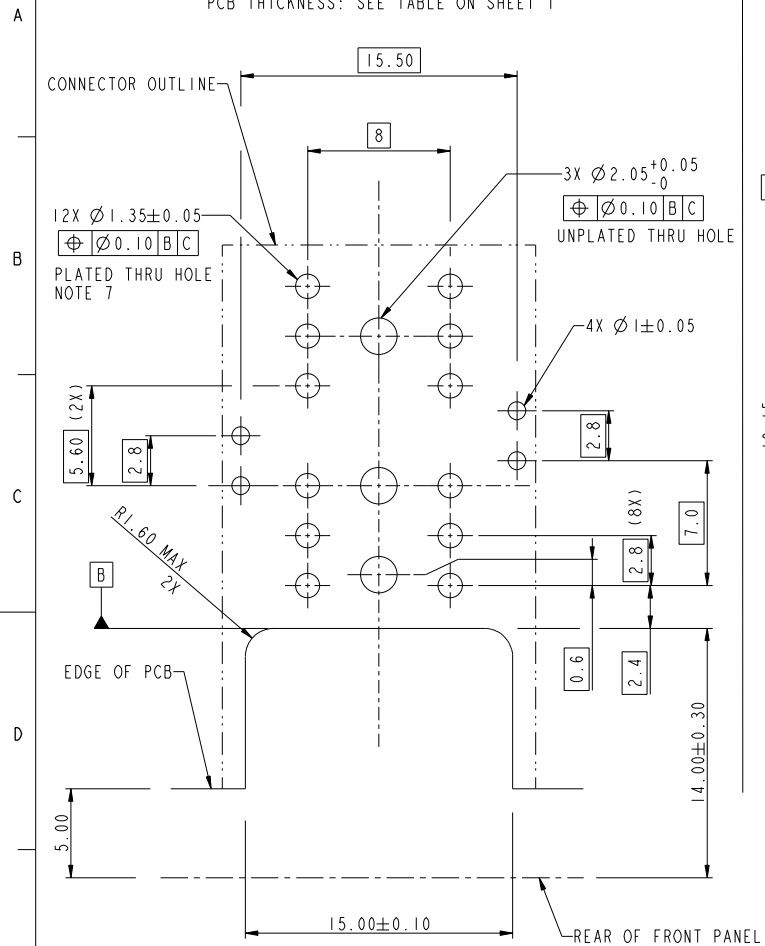


- NOTES:
- HOUSING MATERIAL: HIGH TEMPERATURE GLASS FILLED THERMOPLASTIC, UL 94 V-0  
POWER CONTACT MATERIAL: COPPER ALLOY
  - CONNECTOR CAN BE PICKED UP WITH A VACUUM NOZZLE DIAMETER UP TO 9 MM.
  - PRODUCT SPECIFICATION: GS-12-589
  - PRODUCT MARKING, (PART NUMBER & LOT CODE) ON THIS SURFACE.
  - MATES WITH PWR PROFILE(TM) CABLE ASSEMBLY (P/N:10076440)
  - HOLE DIAMETER INCLUDES Cu PLATING

www.fciconnect.com				surface	tolerance std	projection	MM
				TOLERANCES UNLESS OTHERWISE SPECIFIED			
Dr	HEAVEN CEN	7/27/10		ANGULAR	LINEAR	0.x ± 0.5	size
Eng	HEAVEN CEN	7/27/10		0.xx ± 0.25		0.1	A2
Chr	PM ZHENG	7/27/10		0° ± *		0.1	ECN
Appr	JOSEPH HSIA	7/27/10		Product family		PROFILE	Spec ref
FCI				DOUBLE DECK PWR PROFILE		10115670	Rev.
				RA HEADER PIP ASSEMBLY			B
catalog no				CUSTOMER		sheet 1 of 3	

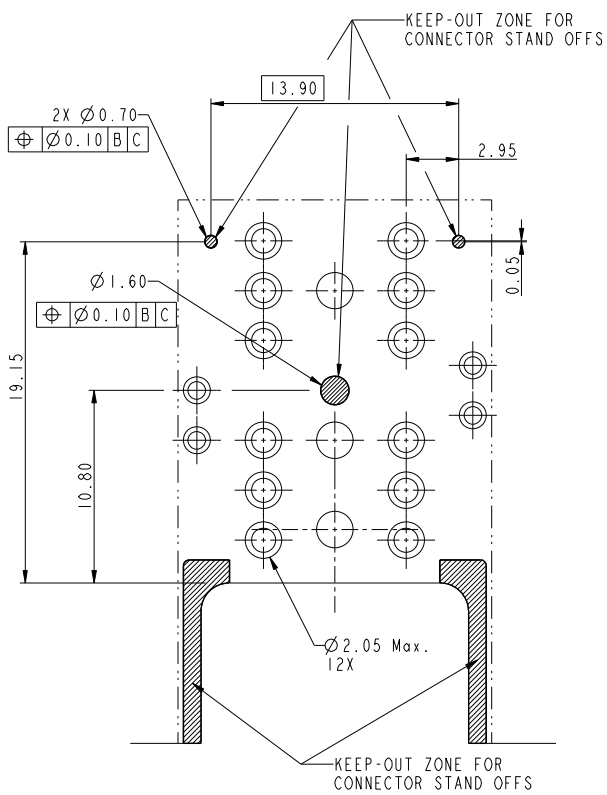
PCB LAYOUT: HOLE PATTERN

PCB THICKNESS: SEE TABLE ON SHEET 1



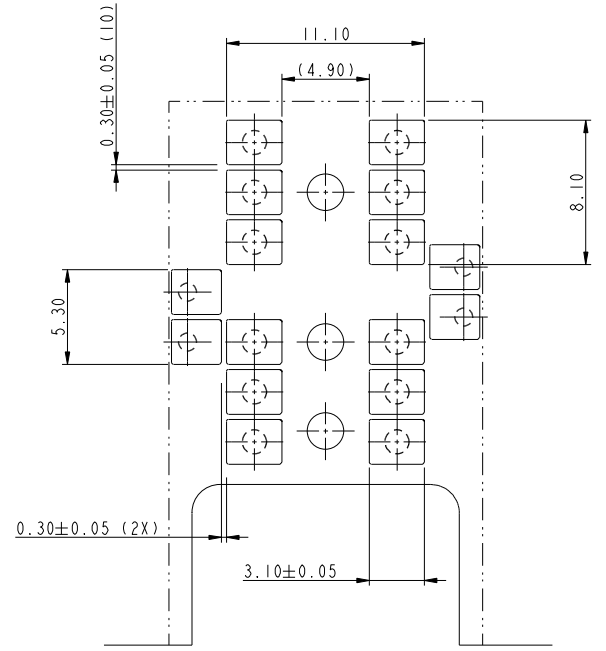
PCB LAYOUT: PLATING

PLATING THICKNESS MUST BE CONSTANT OVER THE CONNECTOR AREA

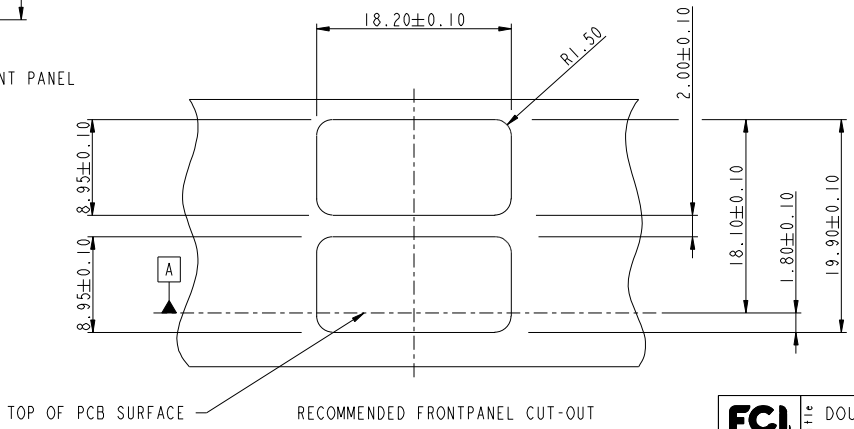
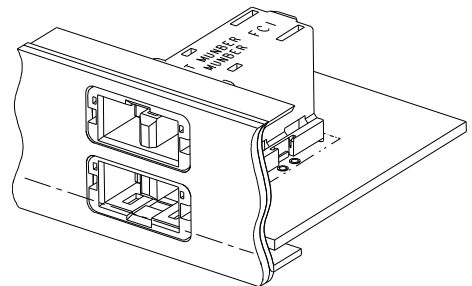


PCB LAYOUT: SOLDER PASTE

RECOMMENDED STENCIL LAYOUT WITH MIN. REQUIRED APERTURES FOR 0.1MM ASSUMED STENCIL THICKNESS (ABOVE COPPER TRACKS) THE SOLDER CONTENT IN THE PASTE SHOULD BE SUFFICIENT, TYPICALLY 50% VOLUME PERCENTAGE. THE SCREEN PRINTING PROCESS (ANGLE, SPEED, PRESSURE, MATERIALS AND NUMBER OF CYCLES) MUST BE OPTIMIZED SO THAT SUFFICIENT SOLDER IS AVAILABLE.



Copyright FCI.



FCI	TITLE	DOUBLE DECK PWR PROFILE	Rev.	B
	RA HEADER PIP ASSEMBLY			
CATALOG NO			10115670	
	CUSTOMER		sheet 2 of 3	

1

2

3

4

5

6

7

8

A

B

C

D

E

F

A

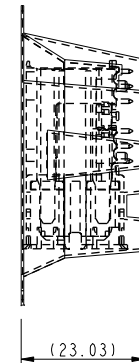
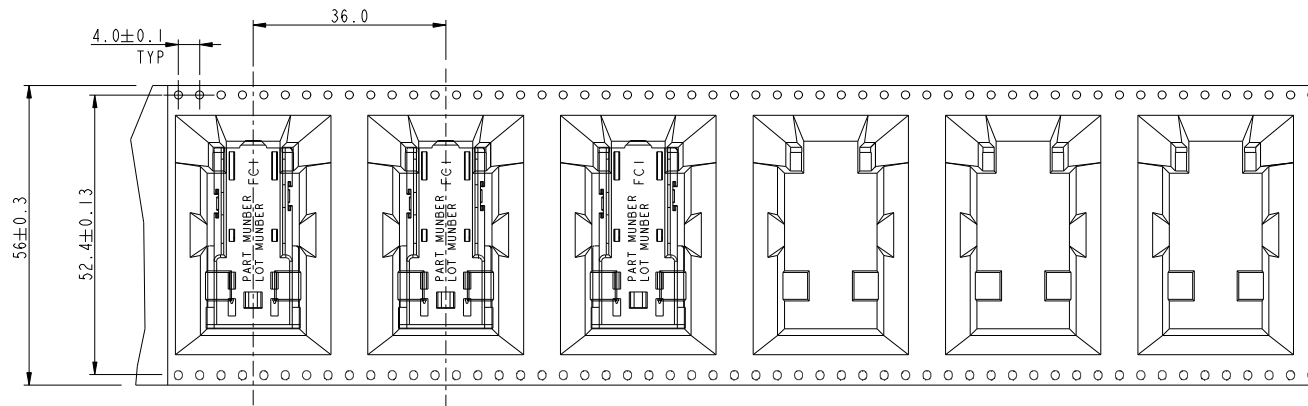
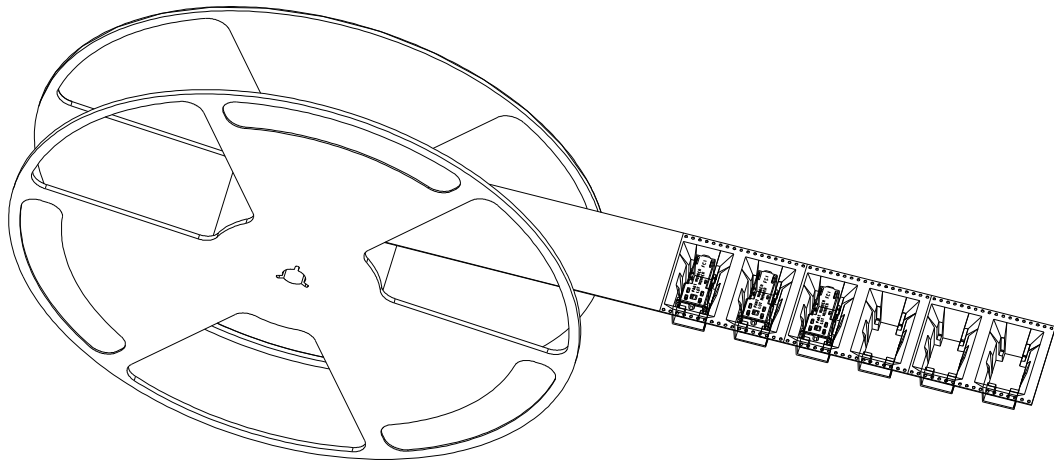
B

C

D

E

F



----->  
USER DIRECTION OF FEED

NOTE:  
1: MATERIAL CARRIER TAPE: POLYSTYRENE;  
2: MATERIAL COVER TAPE: POLYESTER;  
3: THE PACKAGING IS ANTISTATIC TREATED.

Copyright FCI.  
**FCI**

<b>FCI</b>	TITLE	DOUBLE DECK PWR PROFILE	Rev.	B
	RA HEADER PIP ASSEMBLY			
CATALOG NO			10115670	
	CUSTOMER			sheet 3 of 3

## X-ON Electronics

Largest Supplier of Electrical and Electronic Components

*Click to view similar products for [Power to the Board](#) category:*

*Click to view products by [Amphenol](#) manufacturer:*

Other Similar products are found below :

[10131318-08512GRLF](#) [6450171-4](#) [6450552-7](#) [6600323-8](#) [6643429-1](#) [6646040-2](#) [6651939-1](#) [6766604-1](#) [120959-1](#) [1393557-2](#) [1393532-2](#)  
[1393532-3](#) [1393532-4](#) [1393557-1](#) [1600812-5](#) [1-6450861-2](#) [1645595-1](#) [1743490-1](#) [1744132-7](#) [1761122-1](#) [1766169-1](#) [1766250-1](#) [18362](#)  
[1892109-1](#) [1-967627-6](#) [2226808-1](#) [2-6450860-5](#) [2-6450860-6](#) [2-6450870-0](#) [93003-0502](#) [953552-1](#) [1-6450161-4](#) [1-6450850-6](#) [1645526-2](#) [1-](#)  
[6600130-0](#) [1743419-1](#) [1766150-1](#) [2005243-2](#) [211110-1](#) [2-6600130-2](#) [TE34-12-16P-F0](#) [51700-10201602AALF](#) [5-6450830-6](#) [5646956-4](#)  
[36662-0005](#) [40585-3000](#) [4-6450830-9](#) [4-6600333-3](#) [51142-0214](#) [10125416-4050LF](#)