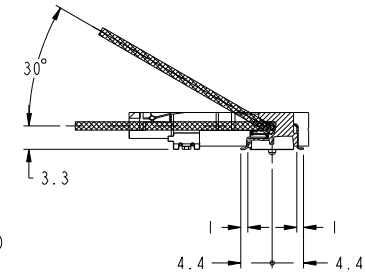
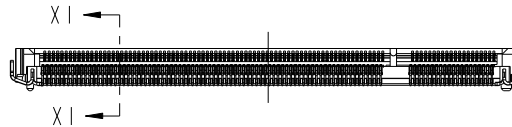
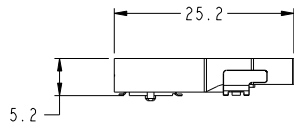
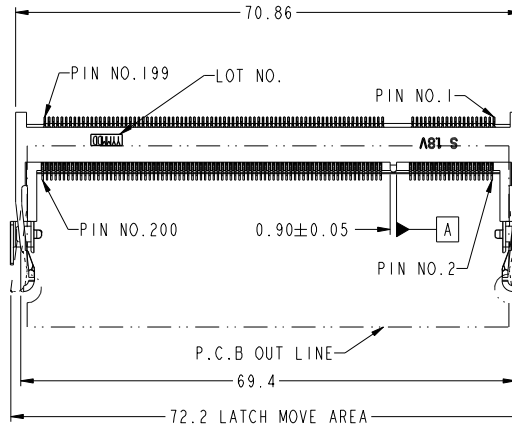
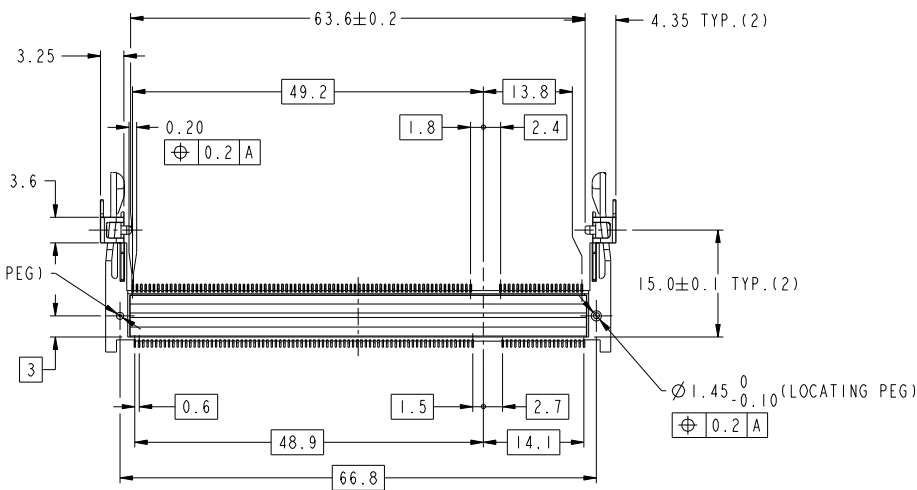


PRODUCT NO.

10116658-*52**



SECTION XI-XI



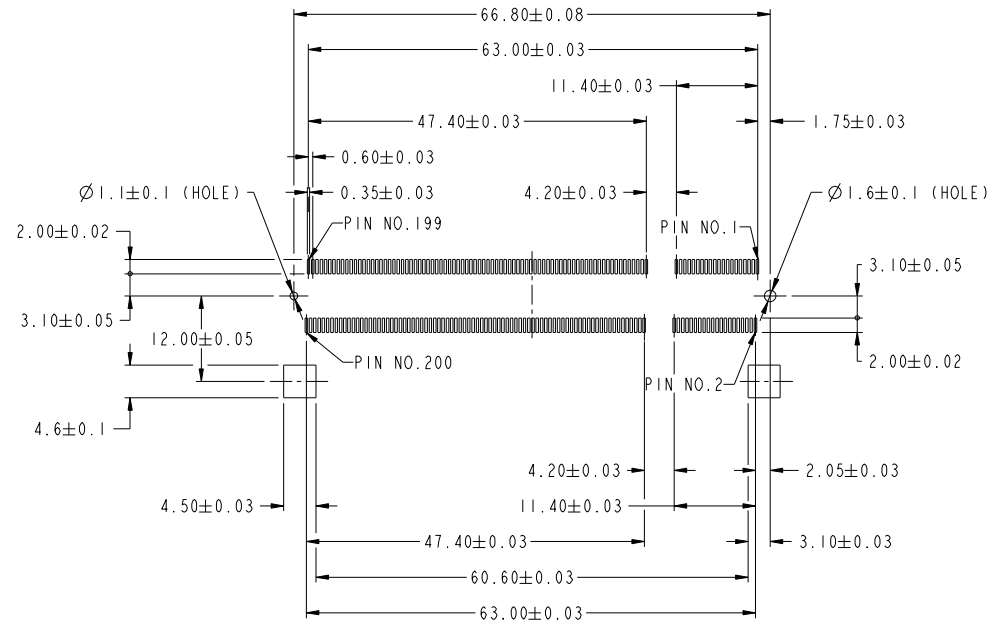
NOTE

1. PRODUCT SPEC. : GS-12-195
2. PACKAGING SPEC. : GS-14-786
3. MATERIAL:
 - 1) HOUSING : LCP, UL94V-0, COLOR BLACK
 - 2) CONTACT : COPPER ALLOY
 - 3) HOLD DOWN : BRASS
4. FINISH
 - 1) TERMINAL : SEE TABLE
 - 2) HOLD DOWN : SEE TABLE
5. CO-PLANARITY : 0.1 MAX.(INCLUDE HOLD DOWN)
6. THIS PRODUCT MEETS EUROPEAN UNION DIRECTIVES AND OTHER COUNTRY REGULATIONS AS DESCRIBED IN GS-22-008.
7. THE HOUSING WILL WITHSTAND EXPOSURE TO 260° PEAK TEMPERATURE FOR 10 SECONDS IN A REFLOW SOLDER APPLICATION.

Copyright FCI.

www.fciconnect.com				surface	tolerance std	projection	MM
				ASME Y14.5	ASME Y14.5		
				TOLERANCES UNLESS OTHERWISE SPECIFIED			
rev	ecn no	dr	date	Dr	SH MIAO	2011-03-28	ANGULAR
A	DG11-0085	SH	2011-03-28	Eng	SH MIAO	2011-03-28	LINEAR
				Chr	RICK BIAN	2011-03-28	0° ±5°
				Appr	RICK BIAN	2011-03-28	Product family
				DDR II 0.6mm PITCH 200 POS			
				STANDARD TYPE ASS'Y			
				10116658			
				CUSTOMER COPY			
				sheet 1 of 4			

PRODUCT NO.
10116658-*52**



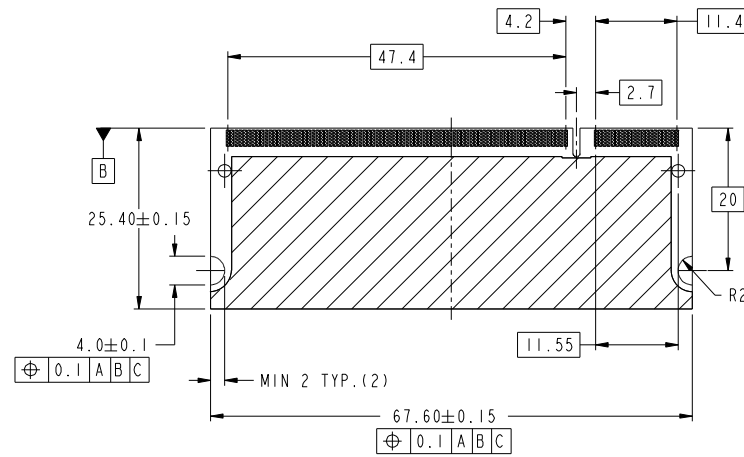
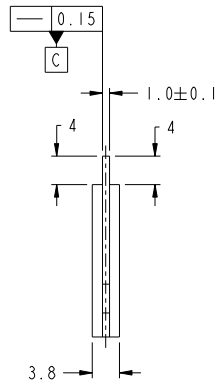
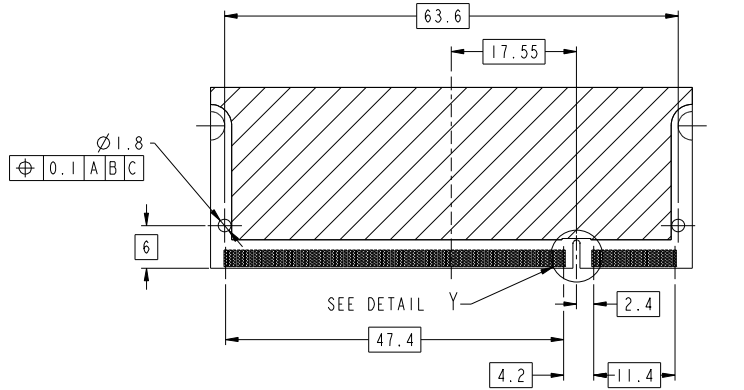
RECOMMENDED MOUNTING P.C.B LAYOUT

Copyright FCI.
FCI

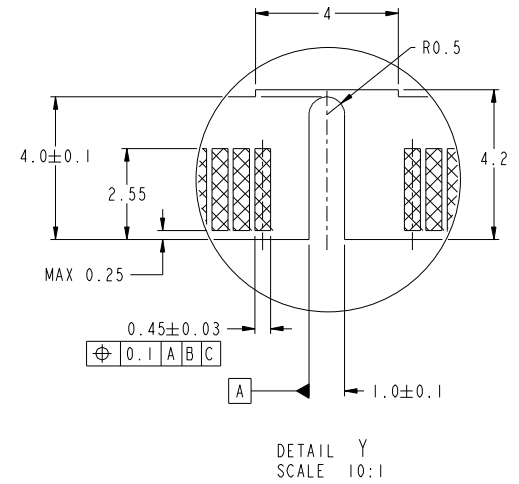
FCI	FILE	DDR II 0.6mm PITCH 200 POS	diag no	10116658	Rev.	A
	TITLE	STANDARD TYPE ASS'Y	CUSTOMER COPY	sheet 2 of 4		
	CATALOG NO					

PRODUCT NO.

10116658-*52**



RECOMMENDED MODULE P.C.B LAYOUT



Copyright FCI.



FCI	FILE	DDR 11 0.6mm PITCH 200 POS	diag no	10116658	Rev.
	TITLE	STANDARD TYPE ASS'Y			A
	CATALOG NO		CUSTOMER COPY	sheet 3 of 4	

PDM: Rev:A

STATUS Released

Printed: Apr 22, 2011

1		2		3		4		5		6		7		8	
PRODUCT NO.	LOCATING PEG	TERMINAL CONTACT AREA FINISH	HOLD-DOWN FINISH	SOLDER TAIL FINISH											
A	10116658-052FSLF	YES	Au FLASH	PURE Sn PLATING	Au FLASH	10116658-□□□□□ LF For Rohs OPTIONS: TAIL PLATING CODE MUST BE 0-3. HOLD-DOWN PLATING CODE MUST BE "S". "LF" CODE IS EXIST IN THE END. EX: 10116658-252TSLF FOR NOT Rohs COMPATIBLE: THIS "LF" CODE IS "BLANK". EX: 10116658-452TS <PACKING METHOD> R : TAPE REEL DEFAULT : TRAY <HOLD-DOWN FINISH> S : Pure Sn B : Sn-Pb <CONTACT AREA FINISH> F : Au FLASH T : Au 0.3μm MIN. A : Au 0.76μm MIN. <TOTAL HEIGHT> S2 : 5.2mm <LOCATING PEG, SOLDER TAIL FINISH> 0 : YES, Au FLASH 1 : NO, Au FLASH 2 : YES, Pure Sn PLATING 3 : NO, Pure Sn PLATING 4 : YES, Sn-Pb PLATING 5 : NO, Sn-Pb PLATING									
	10116658-152FSLF	NO													
	10116658-052TSLF	YES	Au 0.3μm MIN.												
	10116658-152TSLF	NO													
B	10116658-052ASLF	YES	Au 0.76μm MIN.	Sn-Pb PLATING											
	10116658-152ASLF	NO													
	10116658-052FB	YES	Au FLASH												
	10116658-152FB	NO													
10116658-052TB	YES	Au 0.3μm MIN.													
10116658-152TB	NO														
C	10116658-052AB	YES	Au 0.76μm MIN.	Pure Sn PLATING											
	10116658-152AB	NO													
	10116658-252FSLF	YES	Au FLASH												
	10116658-352FSLF	NO													
10116658-252TSLF	YES	Au 0.3μm MIN.													
10116658-352TSLF	NO														
D	10116658-252ASLF	YES	Au 0.76μm MIN.	Sn-Pb PLATING											
	10116658-352ASLF	NO													
	10116658-252FB	YES	Au FLASH												
	10116658-352FB	NO													
10116658-252TB	YES	Au 0.3μm MIN.													
10116658-352TB	NO														
E	10116658-252AB	YES	Au 0.76μm MIN.	Sn-Pb PLATING											
	10116658-352AB	NO													
	10116658-452FS	YES	Au FLASH												
	10116658-552FS	NO													
10116658-452TS	YES	Au 0.3μm MIN.													
10116658-552TS	NO														
F	10116658-452AS	YES	Au 0.76μm MIN.	Sn-Pb PLATING											
	10116658-552AS	NO													
	10116658-452FB	YES	Au FLASH												
	10116658-552FB	NO													
10116658-452TB	YES	Au 0.3μm MIN.													
10116658-552TB	NO														
10116658-452AB	YES	Au 0.76μm MIN.													
10116658-552AB	NO														

Copyright FCI

FCI	TITLE	DDR II 0.6mm PITCH 200 POS	Rev.	A
	STANDARD TYPE ASS'Y		10116658	
CATALOG NO.	CUSTOMER COPY		sheet 4 of 4	

X-ON Electronics

Largest Supplier of Electrical and Electronic Components

Click to view similar products for [DIMM Connectors](#) category:

Click to view products by [Amphenol](#) manufacturer:

Other Similar products are found below :

[1-1932649-2](#) [1-1761024-0](#) [2309411-5](#) [10116658-252ASLF](#) [5390471-1](#) [2309413-3](#) [78507-0061](#) [KIT-SODIMM-1X16GB/01](#) [10086891-052TSLF](#) [10079192-11102LF](#) [10116658-152FSLF](#) [10129206-0011113LF](#) [1-2308107-0](#) [2013310-1](#) [2013289-1](#) [390111-1](#) [390112-1](#) [2309413-1](#) [2309407-1](#) [2309414-1](#) [10081530-12208LF](#) [151080-0001](#) [78726-1004](#) [10005639-11107LF](#) [10005639-11109LF](#) [10005639-12207LF](#) [10023061-10207LF](#) [10033853-252FSLF](#) [10033853-052ASLF](#) [10033853-052FSLF](#) [10033853-152FSLF](#) [10033854-052FSLF](#) [10034542-10002LF](#) [10037402-12207LF](#) [10081530-11107LF](#) [10081530-12207LF](#) [10081530-12218LF](#) [10124632-0030001LF](#) [10124806-01006LF](#) [59354-052FSLF](#) [59355-052FSLF](#) [DDR4288S0211TF](#) [DDR4288S0511H](#) [DDR4288S0511TF](#) [DDR4288V0123TF](#) [DDR4288V0213TF](#) [DDR502112001K](#) [DDR504111002KQ](#) [296406200101856+](#) [MM80-204B1-1R](#)