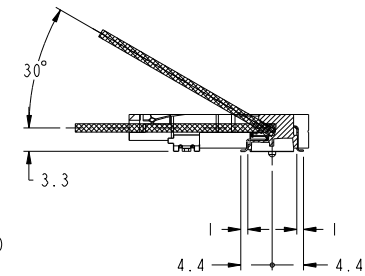
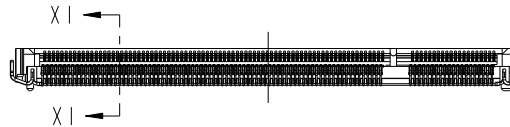
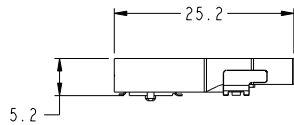
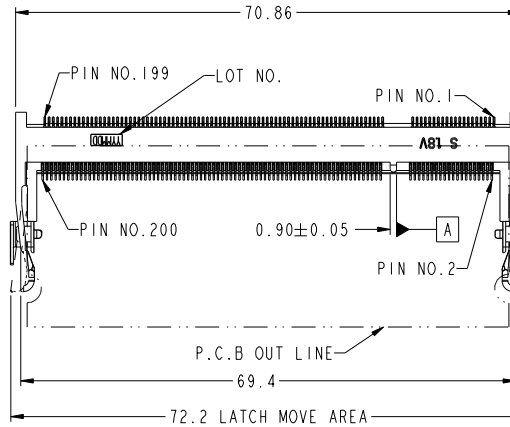
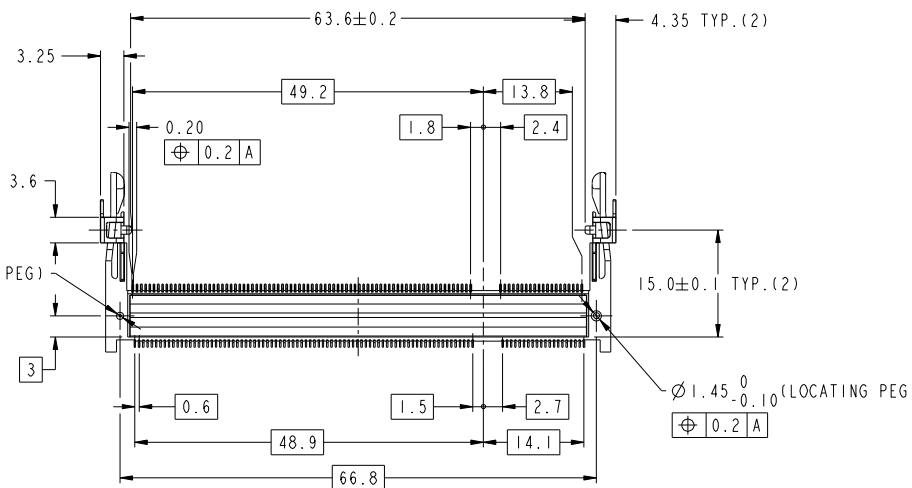


PRODUCT NO.

10116658-*52**



SECTION XI-XI



NOTE

1. PRODUCT SPEC. : GS-12-195
2. PACKAGING SPEC. : GS-14-786
3. MATERIAL:
1) HOUSING : LCP, UL94V-0, COLOR BLACK
2) CONTACT : COPPER ALLOY
3) HOLD DOWN : BRASS
4. FINISH
1) TERMINAL : SEE TABLE
2) HOLD DOWN : SEE TABLE
5. CO-PLANARITY : 0.1 MAX.(INCLUDE HOLD DOWN)
6. THIS PRODUCT MEETS EUROPEAN UNION DIRECTIVES AND OTHER COUNTRY REGULATIONS AS DESCRIBED IN GS-22-008.
7. THE HOUSING WILL WITHSTAND EXPOSURE TO 260° PEAK TEMPERATURE FOR 10 SECONDS IN A REFLOW SOLDER APPLICATION.

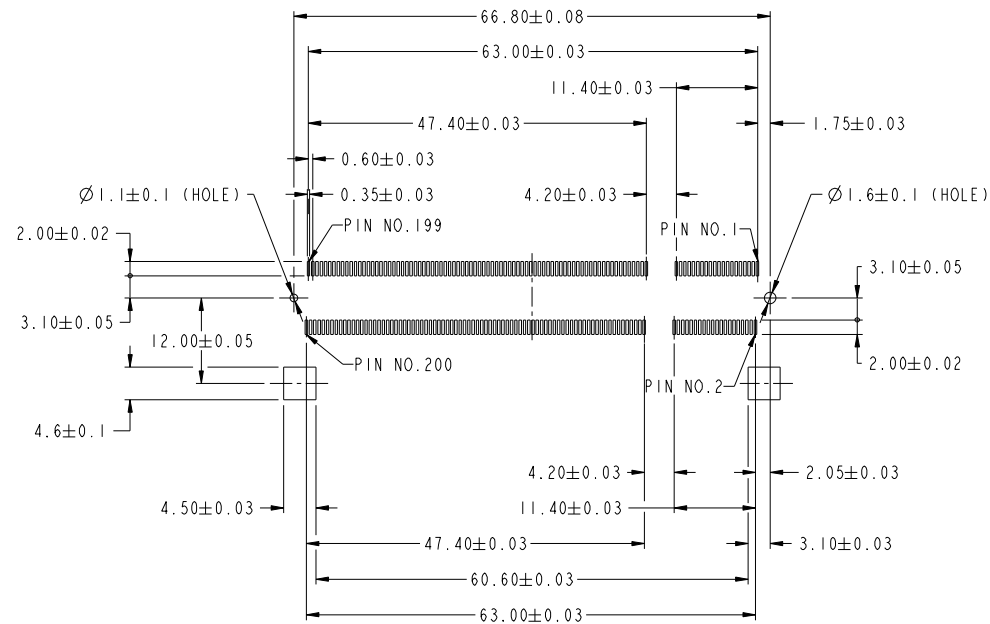
Copyright FCI

rev	ecn no	dr	date
A	DG11-0085	SH	2011-03-28

www.fciconnect.com		surface ASME Y14.5	tolerance std ASME Y14.5	projection	MM
TOLERANCES UNLESS OTHERWISE SPECIFIED		ANGULAR	LINEAR	size	Scale
		0° ±5°	0.x ±0.3	A2	1:1
			0.xx ±0.15	ECN	DG11-0085
			0.xxx ±0.08	Spec ref	RELEASED
FCI		DDR II 0.6mm PITCH 200 POS		Rev.	
catalog no		STANDARD TYPE ASS'Y		10116658	A
		CUSTOMER COPY		sheet 1 of 4	

PRODUCT NO.

10116658-*52**



RECOMMENDED MOUNTING P.C.B LAYOUT



Copyright FCI.

	FILE	DDR II 0.6mm PITCH 200 POS	diag no	10116658	Rev.
	TITLE	STANDARD TYPE ASS'Y			A
	CATALOG NO		CUSTOMER COPY	sheet 2 of 4	

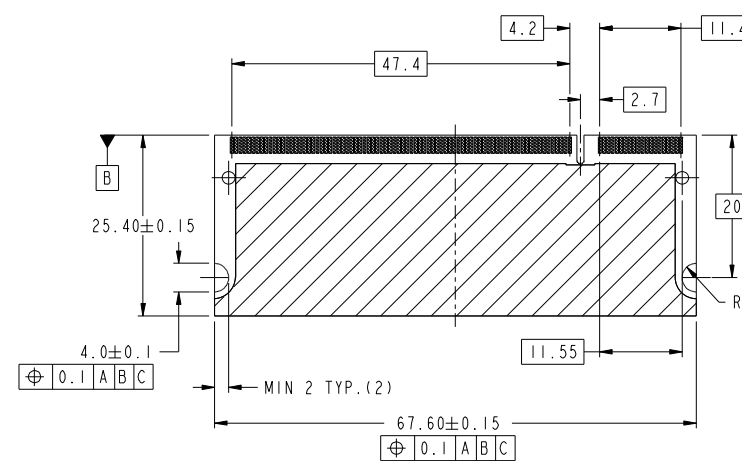
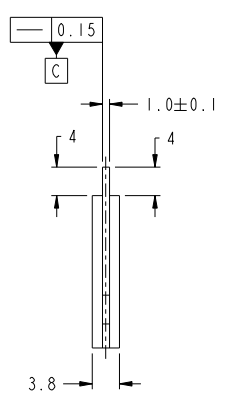
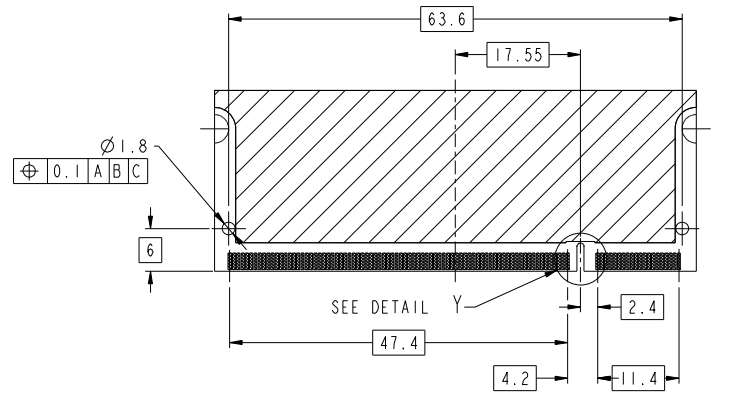
PDM: Rev:A

STATUS: Released

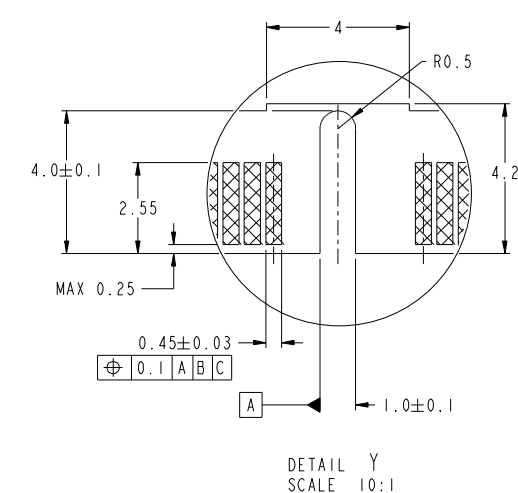
Printed: Apr 22, 2011

PRODUCT NO.

10116658-*52**



RECOMMENDED MODULE P.C.B LAYOUT



DETAIL Y
SCALE 10:1

Copyright FCI



FCI	TITLE	DDR 11 0.6mm PITCH 200 POS	Rev.	
	STANDARD TYPE ASS'Y		A	
CATALOG NO			10116658	
		CUSTOMER COPY	sheet 3 of 4	

1		2		3		4		5		6		7		8	
PRODUCT NO.	LOCATING PEG	TERMINAL CONTACT AREA FINISH	HOLD-DOWN FINISH	SOLDER TAIL FINISH											
A	10116658-052FSLF	YES	Au FLASH	PURE Sn PLATING	Au FLASH	10116658-□□□□□ LF For Rohs OPTIONS: TAIL PLATING CODE MUST BE 0-3. HOLD-DOWN PLATING CODE MUST BE "S". "LF" CODE IS EXIST IN THE END. EX: 10116658-252TSLF FOR NOT Rohs COMPATIBLE: THIS "LF" CODE IS "BLANK". EX: 10116658-452TS <PACKING METHOD> R : TAPE REEL DEFAULT : TRAY <HOLD-DOWN FINISH> S : Pure Sn B : Sn-Pb <CONTACT AREA FINISH> F : Au FLASH T : Au 0.3μm MIN. A : Au 0.76μm MIN. <TOTAL HEIGHT> S2 : 5.2mm <LOCATING PEG, SOLDER TAIL FINISH> 0 : YES, Au FLASH 1 : NO, Au FLASH 2 : YES, Pure Sn PLATING 3 : NO, Pure Sn PLATING 4 : YES, Sn-Pb PLATING 5 : NO, Sn-Pb PLATING									
	10116658-152FSLF	NO													
	10116658-052TSLF	YES	Au 0.3μm MIN.												
	10116658-152TSLF	NO													
B	10116658-052ASLF	YES	Au 0.76μm MIN.	Sn-Pb PLATING											
	10116658-152ASLF	NO													
	10116658-052FB	YES	Au FLASH												
	10116658-152FB	NO													
10116658-052TB	YES	Au 0.3μm MIN.													
10116658-152TB	NO														
C	10116658-052AB	YES	Au 0.76μm MIN.	Pure Sn PLATING											
	10116658-152AB	NO													
	10116658-252FSLF	YES	Au FLASH												
	10116658-352FSLF	NO													
10116658-252TSLF	YES	Au 0.3μm MIN.													
10116658-352TSLF	NO														
D	10116658-252ASLF	YES	Au 0.76μm MIN.												
	10116658-352ASLF	NO													
	10116658-252FB	YES	Au FLASH		Sn-Pb PLATING										
	10116658-352FB	NO													
10116658-252TB	YES	Au 0.3μm MIN.													
10116658-352TB	NO														
E	10116658-252AB	YES	Au 0.76μm MIN.	Sn-Pb PLATING											
	10116658-352AB	NO													
	10116658-452FS	YES	Au FLASH												
	10116658-552FS	NO													
10116658-452TS	YES	Au 0.3μm MIN.													
10116658-552TS	NO														
F	10116658-452AS	YES	Au 0.76μm MIN.												
	10116658-552AS	NO													
	10116658-452FB	YES	Au FLASH												
	10116658-552FB	NO													
10116658-452TB	YES	Au 0.3μm MIN.													
10116658-552TB	NO														
10116658-452AB	YES	Au 0.76μm MIN.													
10116658-552AB	NO														

Copyright FCI

FCI	TITLE	DDR II 0.6mm PITCH 200 POS	Rev.	A
	STANDARD TYPE ASS'Y		10116658	
	CATALOG NO		CUSTOMER COPY	sheet 4 of 4

X-ON Electronics

Largest Supplier of Electrical and Electronic Components

Click to view similar products for [DIMM Connectors](#) category:

Click to view products by [Amphenol](#) manufacturer:

Other Similar products are found below :

[1-1932649-2](#) [1-1761024-0](#) [2309411-5](#) [1932180-2](#) [0783590111](#) [0783590001](#) [0877051053](#) [10079248-11103LF](#) [10086891-052TSLF](#)
[10116658-252ASLF](#) [59355-052FSLF](#) [5390471-1](#) [10074146-13211LF](#) [10079248-10202LF](#) [2309407-3](#) [10033853-052ASLF](#) [87782-6003](#) [KIT-](#)
[SODIMM-1X16GB/01](#) [0780350001](#) [0878030012](#) [75.963AT.G020C](#) [78.B1GDE.AF1](#) [10078239-11103LF](#) [6-390322-1](#) [2013311-1](#) [2309410-1](#)
[10116658-052FSLF](#) [10116658-152FSLF](#) [1-1735438-3](#) [78730-1002](#) [78726-1002](#) [2013310-1](#) [390111-1](#) [1735438-3](#) [78373-0011](#) [2308107-1](#) [2-](#)
[2308107-1](#) [2309411-1](#) [5-1746530-4](#) [2309408-1](#) [2309409-1](#) [2309412-1](#) [151134-0001](#) [2309413-1](#) [296406200001856+](#) [2309407-1](#) [FCN-](#)
[074J240-G/1D](#) [FCN-074B288-G/2D](#) [2309414-1](#) [10081530-12208LF](#)