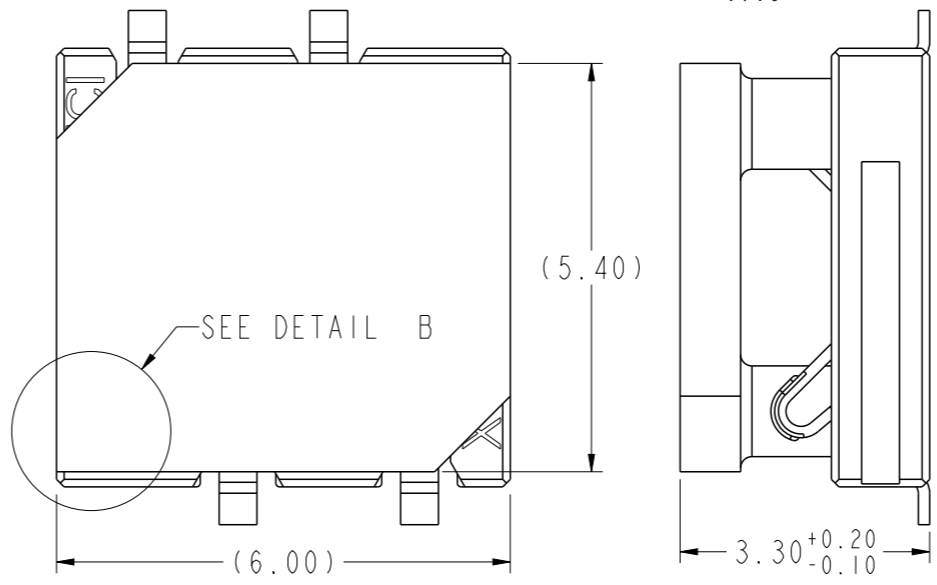
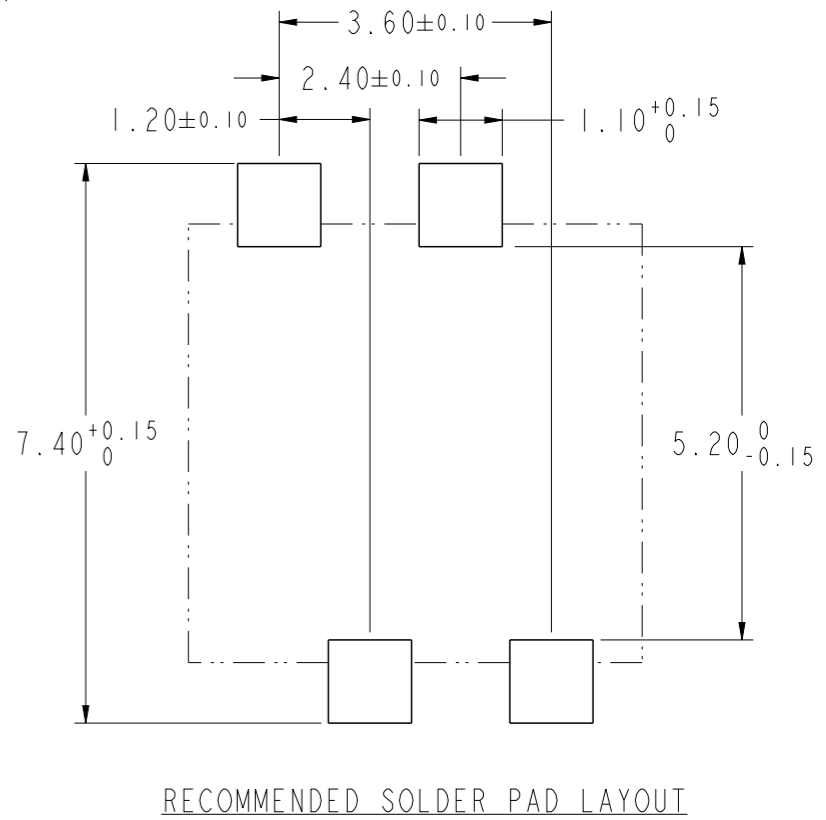
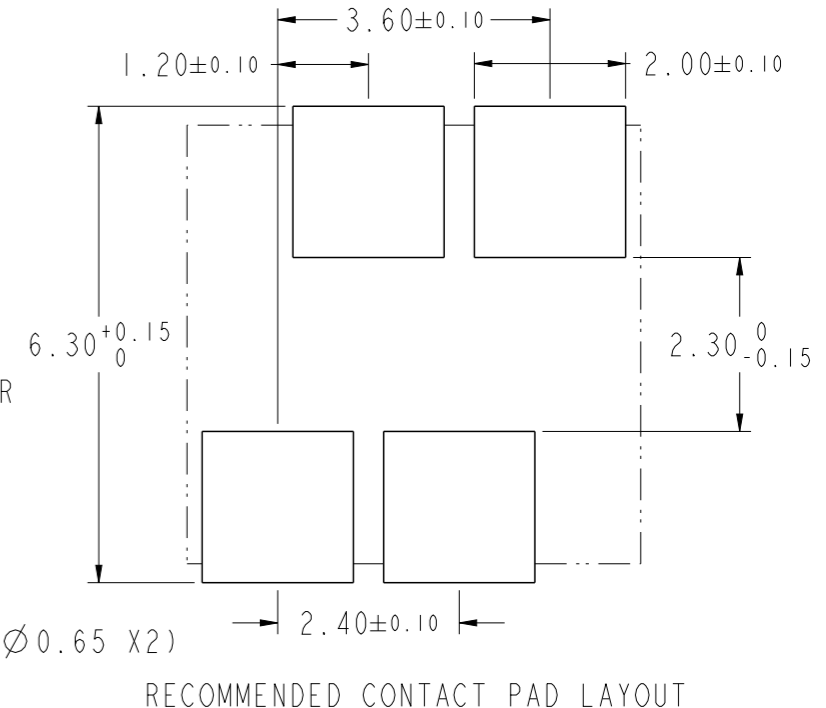
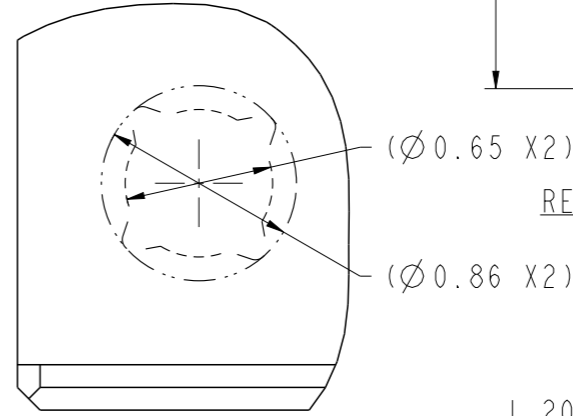
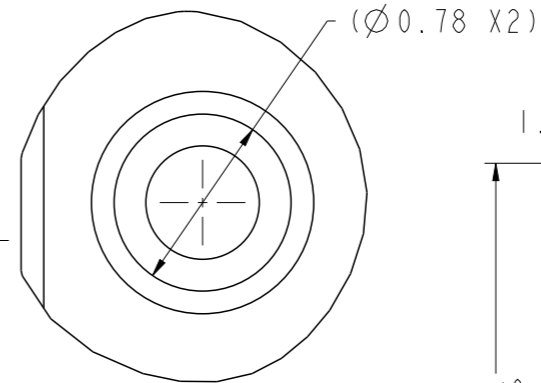
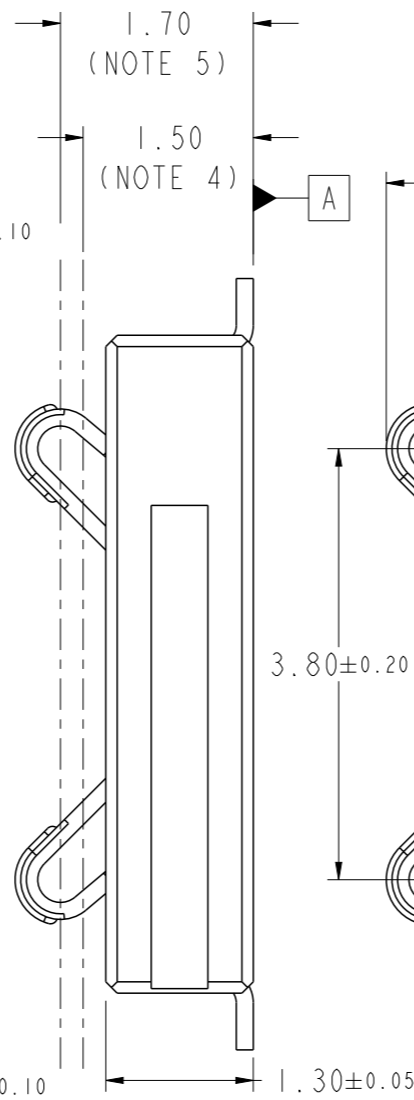
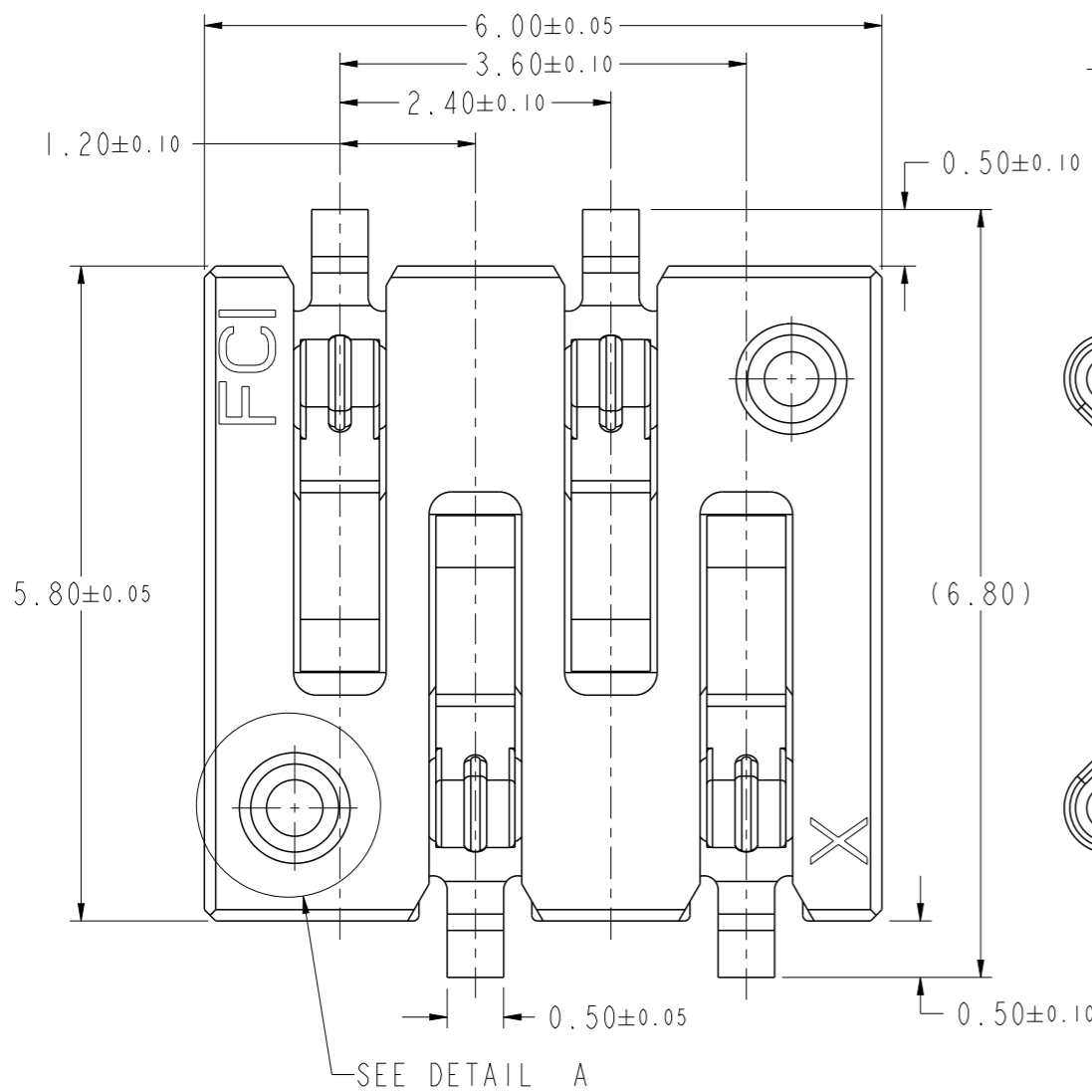


PRODUCT NO	PACKAGING
10117780-001LF	TAPE AND REEL



- NOTES:
- HOUSING: HIGH TEMPERATURE THERMOPLASTIC UL 94V-0, COLOUR: BLACK
  - CONTACTS: COPPER ALLOY.  
PLATING SPEC: 0.2um MIN Au AT CONTACT AREA, 0.076um MIN Au AT SOLDER TAIL, OVER 1.27um MIN Ni UNDERPLATE OVERALL
  - COVER: HIGH TEMPERATURE THERMOPLASTIC UL 94V-0, COLOUR: BLACK
  - AT 1.5mm HEIGHT, CONTACT GAP MEASUREMENT SHALL BE 4.2.
  - AT 1.7mm HEIGHT, CONTACT NORMAL FORCE SHALL BE ABOVE 40gf.
  - SOLDER TAIL CONPLANARITY SHALL BE 0.1mm MAX.
  - COVER HOLDING FORCE, SHALL BE WITHIN 20gf AND 600gf.
  - THIS PRODUCT MEETS EUROPEAN UNION DIRECTIVES AND OTHER COUNTRY REGULATIONS AS DESCRIBED IN GS-47-0004.
  - THE HOUSING WILL WITHSTAND EXPOSURE TO 260°C PEAK TEMPERATURE FOR 10 SECONDS IN A CONVECTION, INFRA-RED OR VAPOUR PHASE REFLOW OVEN.

spec ref	-	dr	Dennis Goh	2011/06/29	projection	MM	size	A3	scale	15:1
tolerance std	ASME Y14.5	eng	Dennis Goh	2017/04/25			ecn no	ELX-S-26774-1	rel level	Released
TOLERANCES UNLESS OTHERWISE SPECIFIED		chr	-	app						
surface	linear	0.X	±0.25	<b>Amphenol FCI</b>		4 PINS SPINDLE CONNECTOR		dwg no 10117780	rev B	
		0.XX	±0.13							
		0.XXX	±0.05							
	angular	0°	±°	cat. no.	Product - Customer Drw		sheet 1 of 1			

## X-ON Electronics

Largest Supplier of Electrical and Electronic Components

*Click to view similar products for [Power to the Board](#) category:*

*Click to view products by [Amphenol](#) manufacturer:*

Other Similar products are found below :

[6450171-4](#) [6450552-7](#) [6600323-8](#) [6643429-1](#) [6646040-2](#) [6651939-1](#) [6766604-1](#) [120959-1](#) [1393557-2](#) [1393532-2](#) [1393532-3](#) [1393532-4](#)  
[1393557-1](#) [1600812-5](#) [1-6450861-2](#) [1744132-7](#) [1761122-1](#) [1766250-1](#) [1892109-1](#) [2-6450860-5](#) [2-6450870-0](#) [1-6450161-4](#) [1-6450850-6](#) [1-](#)  
[6450869-6](#) [1645526-2](#) [1-6600130-0](#) [2005243-2](#) [TE34-12-16P-F0](#) [5-6450830-6](#) [5646956-4](#) [4-6450830-9](#) [4-6600333-3](#) [10125416-4050LF](#)  
[6600320-3](#) [3-6450860-5](#) [1888123-2](#) [6450166-1](#) [6643978-1](#) [6766605-1](#) [N11444](#) [6651938-1](#) [6450810-7](#) [46437-1112](#) [1-1589677-8](#) [5646956-5](#)  
[6450813-2](#) [6450129-4](#) [1645523-1](#) [PSS-06-01-T-S](#) [0465621864](#)