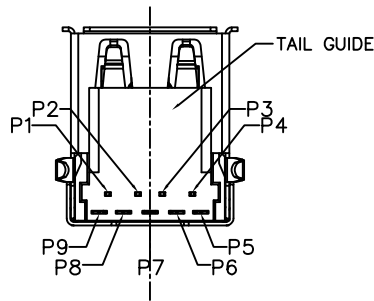


**RECOMMENDED PCB LAYOUT  
TOP VIEW (THICKNESS: 1.6±0.1mm)**



PART NUMBER CODE:  
10117835-X0XL

- PLATING OPTION ON CONTACT AREA
- 1: 30u" (0.76um) Min. gold (Durability: 3500)
  - 2: Gold Flash (Durability: 1500)
  - 3: 15u" (0.38um) Min. gold (Durability: 3000)
- PACKAGE TYPE
- O: TRAY
  - T: TAPE & REEL

Notes:

- 1) Materials and Finish  
 Housing & Tail Guide: Glass fiber filled thermoplastic resin, UL94 V-0 rated, color blue.  
 Terminals: Copper Alloy, 50u"(1.27um) Min. Ni underplated over all.  
 Contact area: see table  
 Tail area: 80u"(2.0um) Min. Matte Tin plated.  
 Front Shell: Copper Alloy, 50u"(1.27um) Min. Ni plated over all.  
 Back Shell: Steel, 80u"(2.0um) Min. Ni plated over all.
- 2) Product specification refer to FCI GS-12-0928.
- 3) Package specification refer to GS-14-2157 .
- 4) Housing will withstand exposure to 260°C peak temperature for 10 seconds in a convection reflow oven
- 5) Product meets European Union Directives and other country regulations as described in FCI GS-22-008.
- 6) Recommended PCB hole is finished plating through hole (PTH) size.
- 7) Datum Z,Y and basic dimensions were constructed by customer.

mat'l. code		surface ASME Y14.5	tolerance ASME Y14.5	projection MM	product family USB 3.0	
tr ecn no dr date		tolerances unless otherwise specified		title USB 3.0 Standard-A Receptacle Right Angle Type Soldering to Board Termination		
A	-	BF	01/04/2012	angles	MM	
B	ELX-N-012221	A.ZH	07/16/2012	X.±0.30	dwg no sheet 1 of 1 size 10117835 A4	
C	ELX-N-17163	L.Q	03/10/2014	X.X±0.25	scale	
D	ELX-N-17795	L.Q	05/27/2014	X.XX±0.20	FCI	
E	ELX-N-19547	L.Q	11/21/2014	X'±1"	type CUSTOMER Drawing	
F	ELX-N-21815	L.Q	09/01/2015	app	sheet index	
sheet index		revision sheet	F 1			

## X-ON Electronics

Largest Supplier of Electrical and Electronic Components

*Click to view similar products for [USB Connectors](#) category:*

*Click to view products by [Amphenol](#) manufacturer:*

Other Similar products are found below :

[65-647-8-BK-BU](#) [950](#) [E8144-B01021-L](#) [A-USB A-LP-SMT-C](#) [A-USB B-TOP-C](#) [MUSBA511N5](#) [MUSBD11135](#) [217450-1](#) [CA 6 W LD](#)  
[KMBVX-TH-5S-B30](#) [896-30-004-00-000000](#) [KUSBVX-BS1N-W30](#) [KUSBX-AP-KIT-SCBLK](#) [KUSBX-AS2N-W](#) [KUSBX-SMT2AP1S-W](#)  
[KUSBX-SMT2AP1S-W30](#) [935](#) [957](#) [30-498-6](#) [17-210051](#) [1734082-1](#) [30-1574](#) [30-470](#) [30-489](#) [30-541](#) [30-572-3](#) [MAB 8 SN V](#) [A-USB A-](#)  
[2P-C](#) [MIKROE-1451](#) [USBFTV2PEM2G](#) [USBFTVC6ZN](#) [KUSBX-AS2N-W30](#) [KUSBX-SLAS1N-W](#) [KUSBX-SMT-AS1N-W30](#) [4689-1](#) [1-](#)  
[1734084-2](#) [E8110-001-01](#) [MUSBA81130](#) [33UBARS1-04SW11](#) [33UBAR-04SW11](#) [USBF21ZNSCC](#) [USBBFTV6ZC](#) [10135326-001LF](#)  
[M9177/3-1](#) [925](#) [4198](#) [690-024-633-031](#) [KUSBEX-BSFS1N-W](#) [USBFTVC6MRG](#) [UA-20BMFA-SL8001](#)