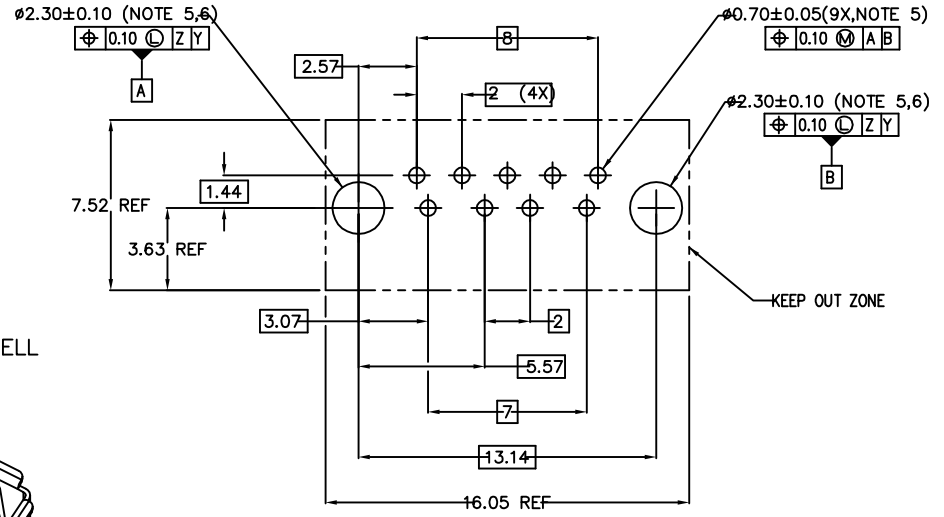
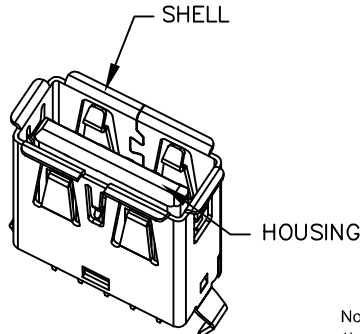
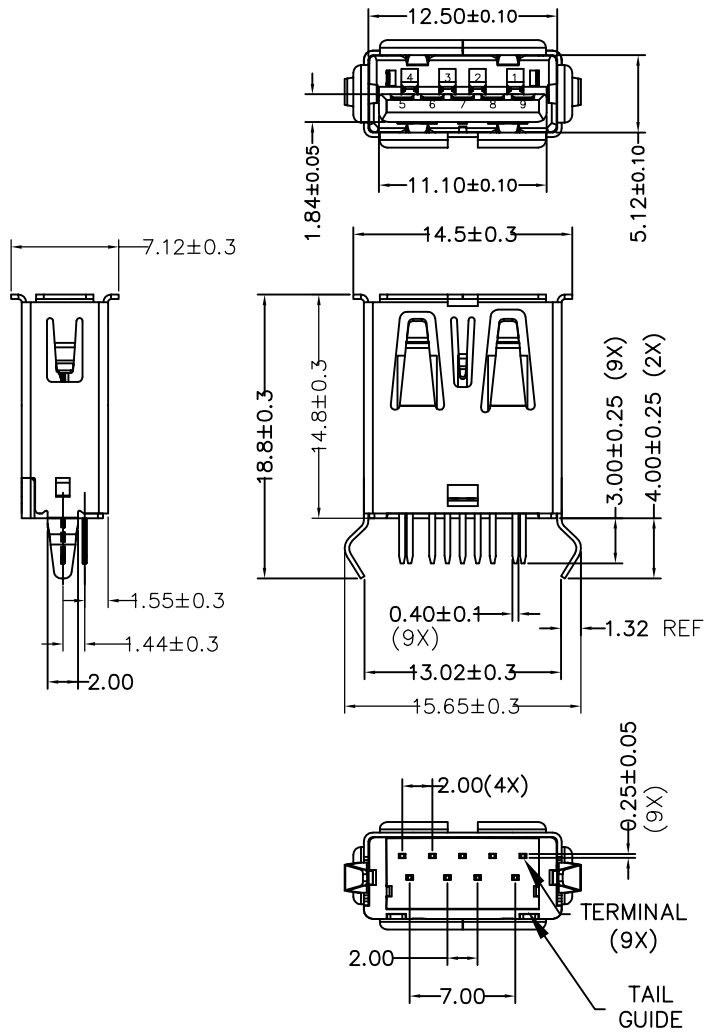


PART NUMBER CODE:

10117836-0XXLF

- CONTACT AREA PLATING AND DURABILITY OPTION
- 1: 30u" Au (0.76um) Min. DURABILITY 3500 Min.
- 2: GOLD FLASH , DURABILITY 1500 Min.
- HOUSING RESIN OPTION
- 0: PBT
- 1: LCP



- Notes:
- 1) Materials  
Housing & Tail Guide: Glass fiber filled thermoplastic resin, UL94 V-0 rated, color blue.  
Terminals: Copper Alloy, 50u"(1.27um) Min. Ni underplated over all.  
Contact area: see table  
Tail area: 80u"(2.0um) Min. Matte Tin plated.  
Shell: Copper Alloy, 50u"(1.27um) Min. Ni plated over all.
  - 2) Product specification refer to FCI GS-12-0928.
  - 3) Package specification refer to GS-14-2157 (Tray package style).
  - 4) This product will withstand exposure to 260°C peak temp. for 10 seconds in a wave soldering application with recommended thick circuit board.
  - 5) Product meets European Union Directives and other country regulations as described in FCI GS-22-008.
  - 6) Recommended PCB hole is finished plating through hole (PTH) size.
  - 7) Datum Z, Y and basic dimensions were constructed by customer.

mat'l. code		surface ASME Y14.5 ✓		tolerance ASME Y14.5		projection MM		product family USB 3.0	
ltr		ecn no		dr		date		title	
A		-		A.ZH		07/17/2012		USB 3.0 Standard-A Receptacle	
B		ELX-N-22622		L.Q.Lei		11/27/2015		Vertical Type	
				angles		X.±0.30		Soldering to Board Termination	
				X°±1°		X.X±0.25		scale	
				X.XX±0.20				FCI	
				dr		BEER FU 032111		dwg no	
				enrg		BEER FU 032111		sheet 1 of 1	
				chr		BEER FU 032111		10117836	
				appd		BEER FU 032111		size A4	
sheet index		revision sheet		B		1		type CUSTOMER Drawing	

## X-ON Electronics

Largest Supplier of Electrical and Electronic Components

*Click to view similar products for [USB Connectors](#) category:*

*Click to view products by [Amphenol](#) manufacturer:*

Other Similar products are found below :

[65-647-8-BK-BU](#) [950](#) [952](#) [E8144-B01021-L](#) [A-USB A-LP-SMT-C](#) [A-USB B-TOP-C](#) [MUSBA511N5](#) [MUSBD11135](#) [217450-1](#) [CA 6 W LD](#)  
[KMBVX-TH-5S-B30](#) [896-30-004-00-000000](#) [KUSBVX-BS1N-W30](#) [KUSBX-AP-KIT-SCBLK](#) [KUSBX-AS2N-W](#) [KUSBX-SMT2AP1S-W](#)  
[KUSBX-SMT2AP1S-W30](#) [935](#) [957](#) [30-498-6](#) [17-210051](#) [1734082-1](#) [30-1574](#) [30-470](#) [30-489](#) [30-541](#) [30-572-3](#) [MAB 8 SN V](#) [A-USB A-](#)  
[2P-C](#) [MIKROE-1451](#) [USBFTV2PEM2G](#) [USBFTVC6ZN](#) [KUSBX-AS2N-W30](#) [KUSBX-SLAS1N-W](#) [KUSBX-SMT-AS1N-W30](#) [4689-1](#) [1-](#)  
[1734084-2](#) [E8110-001-01](#) [MUSBA81130](#) [33UBARS1-04SW11](#) [33UBAR-04SW11](#) [USBF21ZNSCC](#) [USBBFTV6ZC](#) [10135326-001LF](#)  
[M9177/3-1](#) [USB-A-S-F-B-VT](#) [925](#) [4198](#) [690-024-633-031](#) [KUSBEX-BSFS1N-W](#)