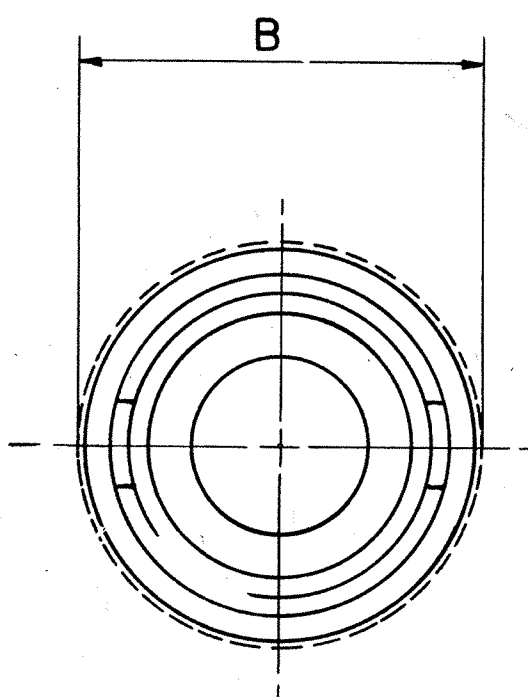
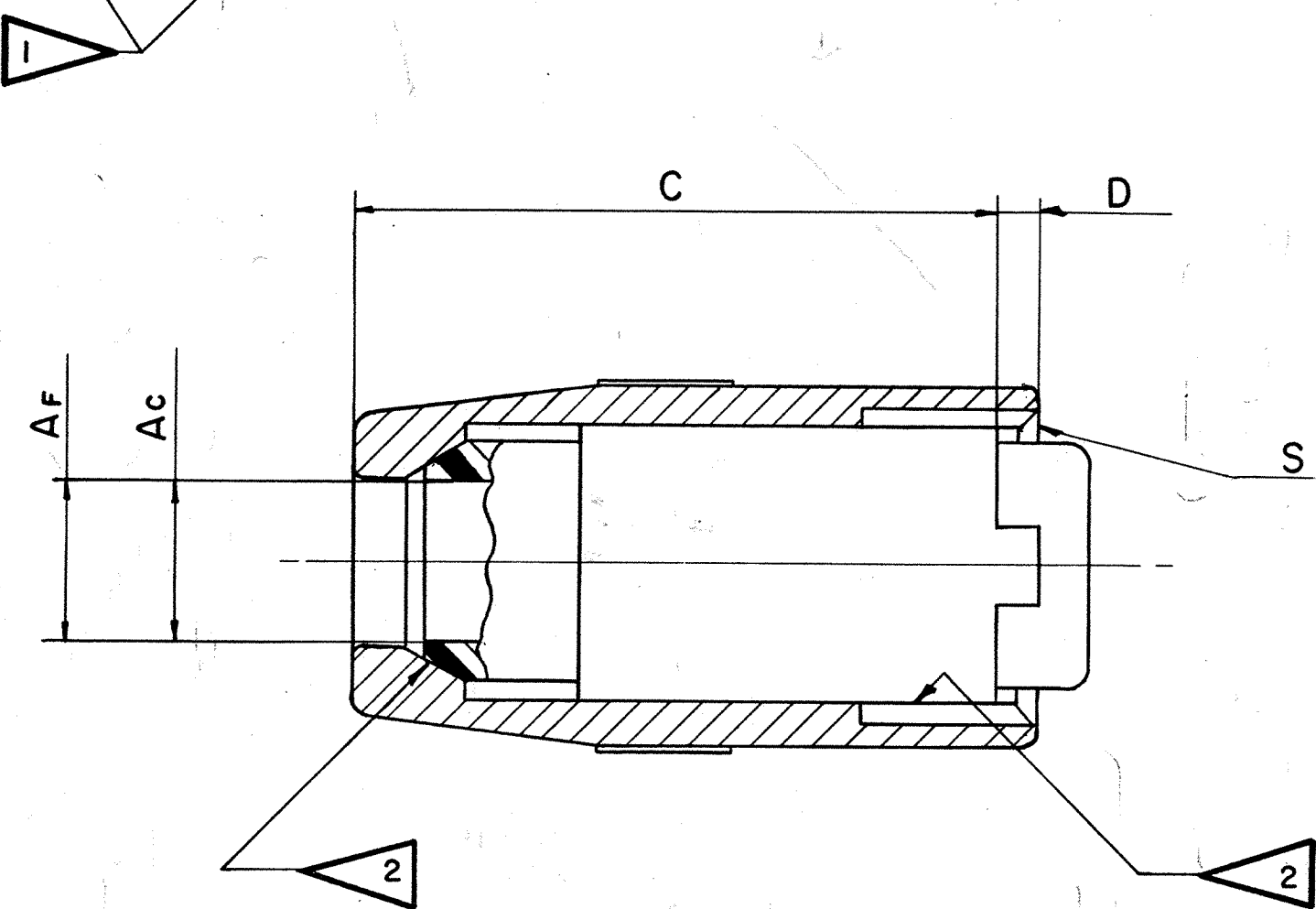


ASSEMBLY NO	NUT	GLAND	A F MAX FREE DIA	A c MIN CLOSED DIA	B DIA MAX	C ±.020	S THREAD REF		D	RELEASE	WT-LB
							SIZE-CLASS 2B	PITCH DIA		COMMENT	
10-117925-6		NOT AVAIL	LABLE								
10-117925-8	10-117926-8	10-117927-8	.230	.168	.527	.773	.4375-28UNEF	.4143-.4189	.205	32508-102 22538-29	
10-117925-10	10-117926-10	10-117927-10	.312	.205	.655	.773	.5625-24NEF	.5354-.5405			
10-117925-12	10-117926-12	10-117927-12	.442	.338	.792	.915	.6875-24NEF	.6604-.6656			
10-117925-14	10-117926-14	10-117927-14	.539	.416	.920	1.107	.8125-20UNEF	.7800-.7857			
10-117925-16	10-117926-16	10-117927-16	.616	.550	1.047	1.324	.9375-20UNEF	.9050-.9109		32524-266 22538-66	
10-117925-18	10-117926-18	10-117927-18	.672	.600	1.174	1.554	1.0625-18NEF	1.0264-1.0326			
10-117925-20	10-117926-20	10-117927-20	.747	.635	1.302	1.771	1.1875-18NEF	1.1514-1.1577	.299		
10-117925-22	10-117926-22	10-117927-22	.846	.670	1.429	1.935	1.3125-18NEF	1.2764-1.2827	.299		
10-117925-24	10-117926-24	10-117927-24	.894	.740	1.556	2.091	1.4375-18NEF	1.4014-1.4079	.299	35524-570	

REL	32508-102	WAS	DATE	D'MAN	APPD.
1	32524-266	ADD & REL. 10-117925-16 THRU -22 & DATA	4-11-57	I.NILES	
2	35525-83	ADD -24 & DATA	8-12-58	A.NILES	
3	35163-1	CHG C & D COL	4-1-59	PANELCHAK	
4	35524-570	REL -24 & DATA	7-17-59	A.NILES	
5	38524-1101	ADD & REL-XXO FINISH	6-21-62	DYKMAN	
6	38524-1217	ADD & REL-XX7 SERIES, RENUMBERED NOTES & FLAGS	7-11-62	RACE	
A1	42654-7	(MFG); REV NOTE 2	1.30.64	MIRAP	
A2	48524-417	ADD & REL XX8 & XX9 FINISH & DATA	12-7-67	MATTICE	
B	60090-030	(CL 11) ADDED & REL -XXG FINISH & DATA	10.4.90	MELLIGOTT	
C	82460	ADD AND RELEASE -XXY AND -XXU + DATA		R. BARNES	4/13/96
D	85865	(CL1) ADDED & REL-XXX FINISH & DATA		DE MATTEO	12-9-98



10-117925

- ALL DIMENSIONS INDICATE FINAL INSTALLATION.
- APPLY THIN COATING OF WHITE PETROLATUM 9-3239 TO NUT ON INDICATED TAPERED AREAS, INTERNAL DIAMETER AND THREADS.
- TO COMPLETE ASSEMBLY NO. AND NUT NO., ADD APPLICABLE LAST DIGIT SUFFIX NO. FOR DESIRED FINISH:

NOTE 1. (CONT.)
 BLACK ZINC ALLOY SUFFIX -XXY
 GREEN ZINC ALLOY SUFFIX -XXU
 BLACK ZINC ALLOY CONDUCTIVE PLATE SUFFIX -XXX

RELEASE	COMMENT
38524-1101	NC
32508-102	22538-29
38524-1217	
48524-417	
48524-417	

- CHROMATE TREAT
- BRIGHT CADMIUM PLATE
- BLACK ANODIZE
- CADMIUM PLATE OLIVE DRAB
- GREY ANODIZE
- ANODIC COATING
- CADMIUM PLATE, NICKEL BASE PLATE
- BRIGHT NICKEL
- OLIVE DRAB CADMIUM PLATE, NICKEL BASE
- NICKEL ALLOY PLATE

NOTES:

USE OF THIS DOCUMENT IS UNLIMITED. DOCUMENTS REFERENCED HEREON CONTAIN LIMITED RIGHTS DATA.

MATERIAL SPEC	PROCESS SPEC	SCINTILLA MAGNETO DIVISION BENDIX AVIATION CORPORATION SIDNEY, N. Y. U.S.A.				TOLERANCES UNLESS OTHERWISE SPECIFIED	
	9-3239 SEE NOTE 2	NAME GLAND ASSEMBLY, TYPE PCW				DECIMALS .010	
		D'MAN CHECKER MAT STDS CH. D MAN APPROVED SCALE				NEXT ASSEMBLY 10-115106 & OTHERS WEIGHT - LBS SEE WT COL	
		D'MAN CHECKER MAT STDS CH. D MAN APPROVED SCALE				SUPERSEDES AND IS NOT INTERCHANGEABLE	
		I.NILES 10-17-56				SUPERSEDED BY 10-117925	
		TOOL ACC. COM. REC. SEE ABOVE				REF.	

X-ON Electronics

Largest Supplier of Electrical and Electronic Components

Click to view similar products for [Circular MIL Spec Tools, Hardware & Accessories](#) *category:*

Click to view products by [Amphenol](#) *manufacturer:*

Other Similar products are found below :

[0113-201-2025](#) [600-079-06](#) [600-146-06](#) [M10-101983-183](#) [M10-454396-008](#) [602GB18808](#) [CS3102A-22-14PW](#) [M2887615-CD](#) [627-009](#)
[M38999/9-19B](#) [630A007NF083A](#) [630B007M051A](#) [630BJ003NF032H](#) [637-149NF04B](#) [M39029/29-215](#) [6408-203V-09273](#) [6426-201-11343](#)
[650FS002NF16](#) [660-008NF14S7-01](#) [660-009M22H8-03](#) [660-013NF19U6-210](#) [660-015M10S6-17](#) [660-015NF10S5-01](#) [660-015NF14R3.5-01](#)
[660-023NF19H6-19](#) [660-024NF11S12-01](#) [660-024NF11S3-01](#) [660-024NF17S4-109](#) [660-050XM17F4-01](#) [660-068NF25R6-30G](#) [660-](#)
[070M23S8-04](#) [660-073MTCH9-20](#) [M83723/61-18W](#) [M83723/61-218R](#) [M83723/61-224W](#) [667-084-23C](#) [667-084-35C](#) [667-224NF16](#) [687-](#)
[697NF-1](#) [M85049/94-10-A](#) [M85049/96-7-A](#) [M855282-10A01A](#) [M85528/2-10B](#) [M855282-18A01A](#) [M85528/2-22A01A](#) [M85528/2-22AA](#)
[710HS460NF2508](#) [780-001-22G12-SK](#) [780-002-19G12-SK](#) [780-002-20G12SK](#)