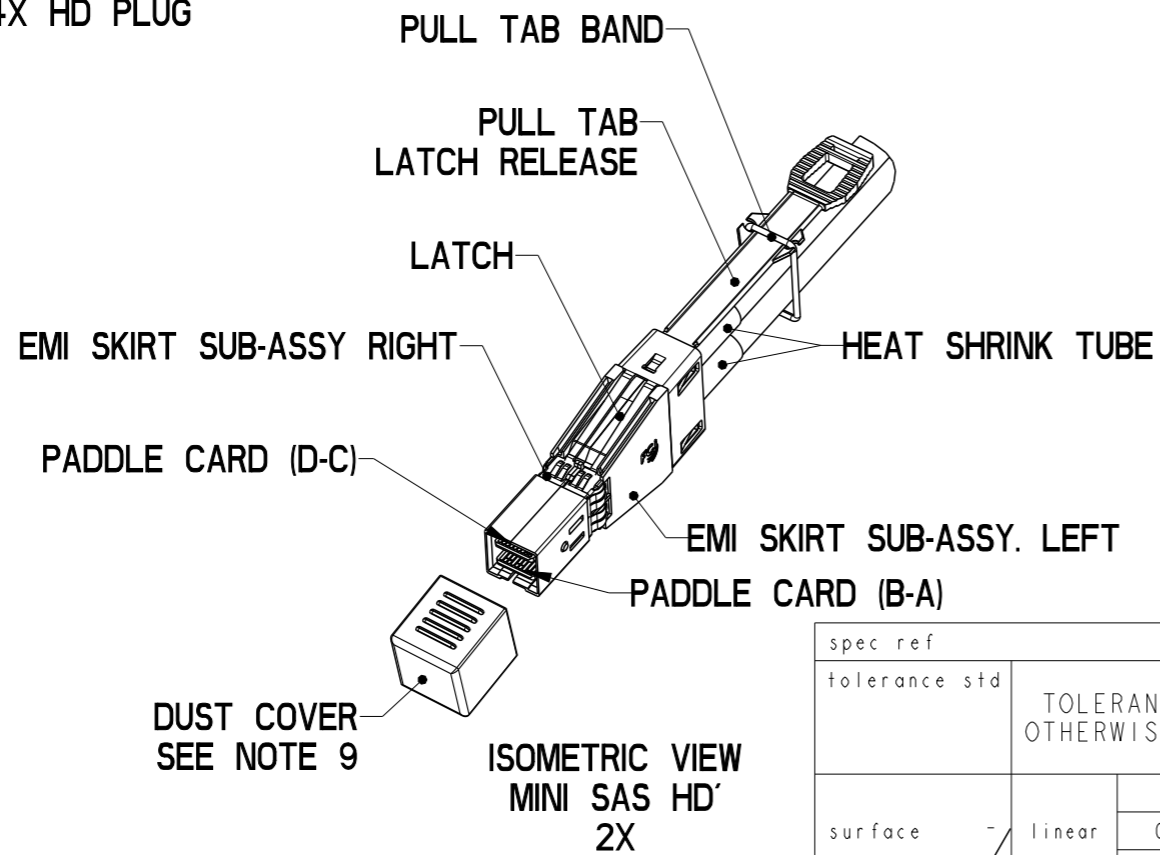
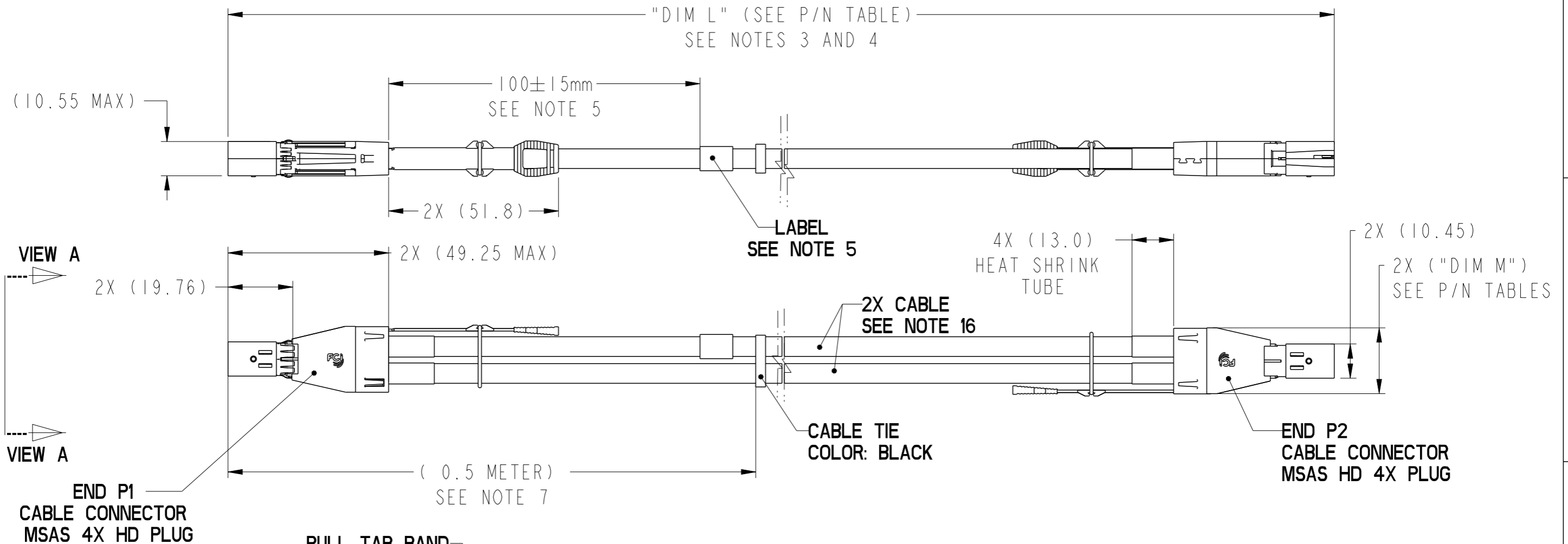
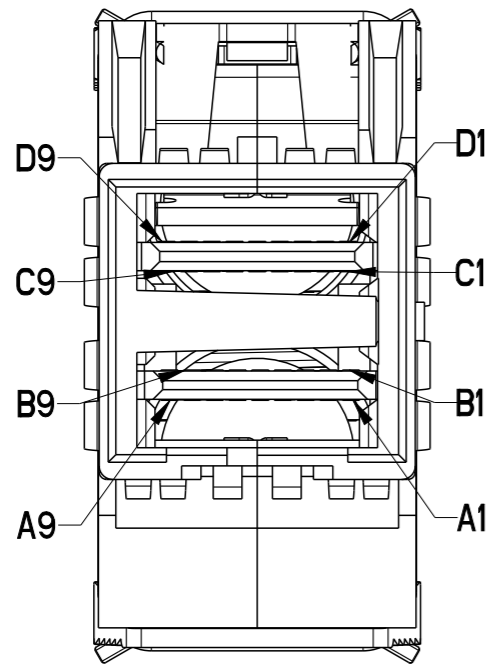


PRODUCT NUMBER	DESCRIPTION	NOTES
10117949-XXXXLF	NON-HF	SEE SHT. 4
10117949-XXXXHLF	HALOGEN FREE (H)	SEE SHT. 4

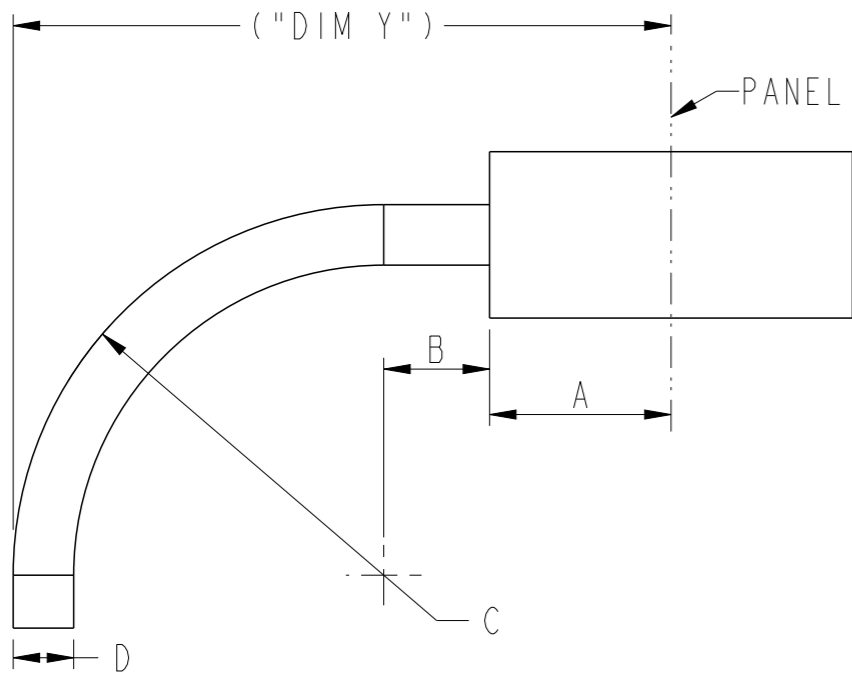


spec ref	dr	David Lord	2011/09/07	projection	mm	size	A3	scale	1:2
tolerance std	eng	Alex Xu	2018/08/17			ecn no	ELX-N-30985-1	rel level	Released
TOLERANCES UNLESS OTHERWISE SPECIFIED		chr	-			product family	C&A		
surface	linear	0.X	± -	Amphenol FCI		FINAL ASSEMBLY (PASSIVE)	dwg no	10117949	rev
		0.XX	± -			MSAS HD 4X ASSEMBLY (12 Gb/s)			N
		0.XXX	± -						
	angular	0°	± - °°	cat. no.	-	Product - Customer Drw	sheet 1 of 4		

PRODUCT NUMBER	DESCRIPTION	NOTES
10117949-XXXXLF	NON-HF	SEE SHT. 4
10117949-XXXXHLF	HALOGEN FREE (H)	SEE SHT. 4



P1
VIEW A
SCALE 4:1



BEND RADIUS
TOP VIEW OF CONNECTOR



MINIMUM CABLE BEND TABLE					
CABLE	A	B	C	D (nominal)	("DIM Y") NON-HF
24 AWG	29.5	13.0	50.28	∅8.38	92.78
26 AWG			42.6	∅7.1	85.1
28 AWG			36.6	∅6.1	79.1
30 AWG			31.8	∅5.3	74.3

MINIMUM CABLE BEND TABLE					
CABLE	A	B	C	D (nominal)	("DIM Y") HF
24 AWG	29.5	13.0	50.28	∅8.38	92.78
26 AWG			45	∅7.5	87.5
28 AWG			39	∅6.5	81.5
30 AWG			35.4	∅5.9	77.9

WIRING LIST (SEE NOTE 6)					
END P1			END P2		
POSITION	SYMBOL		POSITION	SYMBOL	
D9	GROUND	-----	B9	GROUND	-----
D8	Tx2-	○-----▷	B8	Rx2-	◁-----○
D7	Tx2+	○-----▷	B7	Rx2+	◁-----○
D6	GROUND	-----	B6	GROUND	-----
D5	Tx0-	○-----▷	B5	Rx0-	◁-----○
D4	Tx0+	○-----▷	B4	Rx0+	◁-----○
D3	GROUND	-----	B3	GROUND	-----
D2	Vman	◁-----▷	B2	ModPrsL	◁-----▷
D1	Vact	◁-----▷	B1	Vact	◁-----▷
C1	SCL	◁-----▷	A1	Reserved	◁-----▷
C2	SDA	◁-----▷	A2	IntI	◁-----▷
C3	GROUND	-----	A3	GROUND	-----
C4	Tx1+	○-----▷	A4	Rx1+	◁-----○
C5	Tx1-	○-----▷	A5	Rx1-	◁-----○
C6	GROUND	-----	A6	GROUND	-----
C7	Tx3+	○-----▷	A7	Rx3+	◁-----○
C8	Tx3-	○-----▷	A8	Rx3-	◁-----○
C9	GROUND	-----	A9	GROUND	-----
B9	GROUND	-----	D9	GROUND	-----
B8	Rx2-	◁-----○	D8	Tx2-	○-----▷
B7	Rx2+	◁-----○	D7	Tx2+	○-----▷
B6	GROUND	-----	D6	GROUND	-----
B5	Rx0-	◁-----○	D5	Tx0-	○-----▷
B4	Rx0+	◁-----○	D4	Tx0+	○-----▷
B3	GROUND	-----	D3	GROUND	-----
B2	ModPrsL	◁-----▷	D2	Vman	◁-----▷
B1	Vact	◁-----▷	D1	Vact	◁-----▷
A1	Reserved	◁-----▷	C1	SCL	◁-----▷
A2	IntL	◁-----▷	C2	SDA	◁-----▷
A3	GROUND	-----	C3	GROUND	-----
A4	Rx1+	◁-----○	C4	Tx1+	○-----▷
A5	Rx1-	◁-----○	C5	Tx1-	○-----▷
A6	GROUND	-----	C6	GROUND	-----
A7	Rx3+	◁-----○	C7	Tx3+	○-----▷
A8	Rx3-	◁-----○	C8	Tx3-	○-----▷
A9	GROUND	-----	C9	GROUND	-----

SHIELD-----▷ SHIELD

spec ref	dr	David Lord	2011/09/07	projection	mm	size	A3	scale	1:2
tolerance std	eng	Alex Xu	2018/08/17			ecn no	ELX-N-30985-1	rel level	Released
TOLERANCES UNLESS OTHERWISE SPECIFIED									
surface	linear	0.X	±-		FINAL ASSEMBLY (PASSIVE) MSAS HD 4X ASSEMBLY (12 Gb/s)	dwg no	10117949	rev	N
		0.XX	±-						
		0.XXX	±-						
	angular	0°	±-°°	cat. no.	-	Product - Customer Drw	sheet 2 of 4		

PART NUMBER (NON-HALOGEN FREE) SEE NOTE 12 AND 16	"DIM L" LENGTH (Meters)	"DIM M" (mm)	AWG
10117949-2003LF	0.3	17.3	30
10117949-2004LF	0.4	17.3	30
10117949-2005LF	0.5	17.3	30
10117949-2006LF	0.6	17.3	30
10117949-2007LF	0.7	17.3	30
10117949-2008LF	0.75	17.3	30
10117949-2009LF	0.9	17.3	30
10117949-2010LF	1.0	17.3	30
10117949-2015LF	1.5	17.3	30
10117949-2020LF	2.0	17.3	30
10117949-3005LF	0.5	17.3	28
10117949-3006LF	0.6	17.3	28
10117949-3007LF	0.7	17.3	28
10117949-3008LF	0.8	17.3	28
10117949-3009LF	0.9	17.3	28
10117949-3010LF	1.0	17.3	28
10117949-3015LF	1.5	17.3	28
10117949-3020LF	2.0	17.3	28
10117949-3025LF	2.5	17.3	28
10117949-3030LF	3.0	17.3	28
10117949-4010LF	1.0	20.1	26
10117949-4015LF	1.5	20.1	26
10117949-4020LF	2.0	20.1	26
10117949-4025LF	2.5	20.1	26
10117949-4030LF	3.0	20.1	26
10117949-4035LF	3.5	20.1	26
10117949-4040LF	4.0	20.1	26
10117949-4045LF	4.5	20.1	26
10117949-4050LF	5.0	20.1	26
10117949-4055LF	5.5	20.1	26
10117949-4060LF	6.0	20.1	26
10117949-5010LF	1.0	20.1	24
10117949-5015LF	1.5	20.1	24
10117949-5020LF	2.0	20.1	24
10117949-5025LF	2.5	20.1	24
10117949-5030LF	3.0	20.1	24
10117949-5035LF	3.5	20.1	24
10117949-5040LF	4.0	20.1	24
10117949-5045LF	4.5	20.1	24
10117949-5050LF	5.0	20.1	24
10117949-5055LF	5.5	20.1	24
10117949-5060LF	6.0	20.1	24
10117949-5065LF	6.5	20.1	24
10117949-5070LF	7.0	20.1	24
10117949-5075LF	7.5	20.1	24
10117949-5080LF	8.0	20.1	24

PART NUMBER (HALOGEN FREE) SEE NOTE 11 AND 16	"DIM L" LENGTH (Meters)	"DIM M" (mm)	AWG
10117949-2003HLF	0.3	17.3	30
10117949-2004HLF	0.4	17.3	30
10117949-2005HLF	0.5	17.3	30
10117949-2006HLF	0.6	17.3	30
10117949-2007HLF	0.7	17.3	30
10117949-2008HLF	0.75	17.3	30
10117949-2009HLF	0.9	17.3	30
10117949-2010HLF	1.0	17.3	30
10117949-2015HLF	1.5	17.3	30
10117949-2020HLF	2.0	17.3	30
10117949-3005HLF	0.5	17.3	28
10117949-3006HLF	0.6	17.3	28
10117949-3007HLF	0.7	17.3	28
10117949-3008HLF	0.8	17.3	28
10117949-3009HLF	0.9	17.3	28
10117949-3010HLF	1.0	17.3	28
10117949-3015HLF	1.5	17.3	28
10117949-3020HLF	2.0	17.3	28
10117949-3025HLF	2.5	17.3	28
10117949-3030HLF	3.0	17.3	28
10117949-3040HLF	4.0	17.3	28
10117949-4010HLF	1.0	20.1	26
10117949-4015HLF	1.5	20.1	26
10117949-4020HLF	2.0	20.1	26
10117949-4025HLF	2.5	20.1	26
10117949-4030HLF	3.0	20.1	26
10117949-4035HLF	3.5	20.1	26
10117949-4040HLF	4.0	20.1	26
10117949-4045HLF	4.5	20.1	26
10117949-4050HLF	5.0	20.1	26
10117949-4055HLF	5.5	20.1	26
10117949-4060HLF	6.0	20.1	26
10117949-5010HLF	1.0	20.1	24
10117949-5015HLF	1.5	20.1	24
10117949-5020HLF	2.0	20.1	24
10117949-5025HLF	2.5	20.1	24
10117949-5030HLF	3.0	20.1	24
10117949-5035HLF	3.5	20.1	24
10117949-5040HLF	4.0	20.1	24
10117949-5045HLF	4.5	20.1	24
10117949-5050HLF	5.0	20.1	24
10117949-5055HLF	5.5	20.1	24
10117949-5060HLF	6.0	20.1	24
10117949-5065HLF	6.5	20.1	24
10117949-5070HLF	7.0	20.1	24
10117949-5075HLF	7.5	20.1	24
10117949-5080HLF	8.0	20.1	24
10117949-5090HLF ONLY USE EXT MSHD INTERFACE DON'T MEET SAS3.0 APPLICATION	9.0	20.1	24
10117949-5100HLF ONLY USE EXT MSHD INTERFACE DON'T MEET SAS3.0 APPLICATION	10.0	20.1	24



Amphenol
FCi

© 2016 AFCI

spec ref	dr	David Lord	2011/09/07	projection	mm	size	A3	scale	1:2
tolerance std	eng	Alex Xu	2018/08/17		← →	ecn no	ELX-N-30985-1	rel level	Released
TOLERANCES UNLESS OTHERWISE SPECIFIED									
surface	linear	0.X	± -	Amphenol FCi	FINAL ASSEMBLY (PASSIVE) MSAS HD 4X ASSEMBLY (12 Gb/s)	dwg no	10117949	rev	N
		0.XX	± -						
		0.XXX	± -						
angular	0°	± - °°	cat. no.	-	Product - Customer Drw	sheet 3 of 4			

PRODUCT NUMBER	DESCRIPTION	NOTES
10117949-XXXXLF	NON-HF	SEE SHT. 4
10117949-XXXXHLF	HALOGEN FREE (H)	SEE SHT. 4

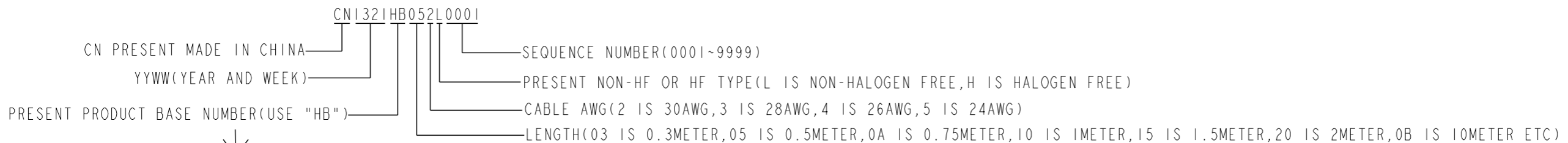
NOTES:

- MATERIAL:
 BACK SHELLS: ZINC ALLOY/ COPPER UNDERPLATE/ NICKEL OVERPLATE
 PULL TAB: THERMOPLASTIC POLYMER
 LATCH : STAINLESS STEEL
 FERRULE: BRASS
 EMI SKIRT: STAINLESS STEEL
 LOCTITE
 PADDLE CARD: PRINTED CIRCUIT SUBSTRATE
 HEAT SHRINK TUBE: POLYOLEFIN
- THIS PRODUCT MEETS THE RESTRICTION OF HAZARDOUS SUBSTANCES IN ELECTRICAL AND ELECTRONIC EQUIPMENT (RoHS) DIRECTIVE (2011/65/EU)
- THIS DIMENSION IS A FINISHED PRODUCT LENGTH.
- UNLESS OTHERWISE SPECIFIED ASSEMBLED LENGTH TOLERANCE IS TO BE:
 "DIM L" < 1 METER = ±25mm
 "DIM L" 1 METER TO 4 METERS = ± 2% OF "DIM L"
 "DIM L" > 4 METERS = +0.00/-4% OF "DIM L"

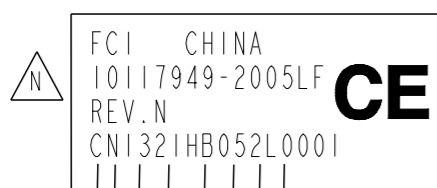
5. LABEL DETAILS:

MANUFACTURER CODE OR NAME	COUNTRY ORIGIN
FCI P/N	CE MARK
FCI CUSTOMER DRAWING REVISION	
FCI SERIAL NUMBER	
BAR CODE OF SERIAL NUMBER	

FONT SHALL BE CLEARLY VISIBLE AND BLACK IN COLOR.
 CE MARK VERTICAL DIMENSION MAY NOT BE LESS THAN 5mm.
 SERIAL NUMBER IS ONLY USED FOR TRACKING PRODUCT,DETAIL IS AS BELOW :



CABLE LABEL EXAMPLE:



← CE MARK VERTICAL DIMENSION MAY NOT BE LESS THAN 5mm,

- ALL CABLE ASSEMBLIES 100% TESTED FOR CONTINUITY AS DEFINED IN WIRING LIST.
- PLACE A CABLE TIE EVERY 0.5 METER ON ALL ASSEMBLIES, UNLESS OTHERWISE SPECIFIED. IN CASE OF 0.5 METER CABLE ASSEMBLY, CABLE TIE IS TO BE APPLIED AT THE MIDWAY POINT.
- OTHER TESTING PERFORMED AS REQUIRED BY PRODUCT SPECIFICATION: GS-12-651.

- PACKAGING OF LEAD FREE PRODUCTS MEETS LABELING AND PACKAGING PER SPECIFICATION GS-14-920.
 PACKAGE CABLE ASSEMBLIES PER GS-14-1272.
 DUST COVERS ARE TO BE ASSEMBLED PRIOR TO PACKAGING.
 FCI PACKAGE TRACKING BAG LABEL IS ONLY FOR REFERENCE.
 CE MARK SHOULD BE ADDED ON FCI STANDARD PACKAGE LABEL(GI LABEL)
 CE MARK VERTICAL DIM. MAY NOT BE LESS THAN 5mm.

NOTES CONTINUED:

- A "△" SYMBOL WILL BE NEXT TO ANY DIMENSION, VIEW, OR NOTE WHICH HAS BEEN MODIFIED WITH THE CURRENT DRAWING REVISION. THE CURRENT REVISION WILL BE SHOWN IN THE SYMBOL.
- "H" PRODUCT NUMBERS DESIGNATE THE USE OF HALOGEN FREE RAW CABLE.
- HALOGEN FREE RAW CABLE CAN BE USED AS A SUBSTITUTE ON NON-HF PRODUCT NUMBERS.
- CABLE ASSEMBLY CAN MEET SAS 3.0 SPECIFICATION.
- MATES TO SERIES: 10112626 or 10112627 Or 10112628
- EEPROM INFORMATION REFER TO FCI LATEST PRODUCT SPEC. GS-12-651.
- CABLE IS OPTIONAL, WHICH HAD BEEN QUALIFIED BY FCI AND MEET FCI PRODUCT SPEC. GS-12-651.

spec ref	dr	David Lord	2011/09/07	projection	mm	size	A3	scale	1:2
tolerance std	eng	Alex Xu	2018/08/17			ecn no	ELX-N-30985-1	rel level	Released
TOLERANCES UNLESS OTHERWISE SPECIFIED		chr	-						
surface	appr	Michael Zhou	2018/08/17	product family	C&A	rel level	Released	rev	N
linear	0.X	± -		FINAL ASSEMBLY (PASSIVE)		dwg no	10117949	rev	N
0.XX	± -	MSAS HD 4X ASSEMBLY (12 Gb/s)							
0.XXX	± -	cat. no.		-	Product - Customer Drw	sheet 4 of 4			
angular	0°	± - °°							

X-ON Electronics

Largest Supplier of Electrical and Electronic Components

Click to view similar products for [Amphenol manufacturer](#):

Other Similar products are found below :

[PT01SE-16-8P\(027\)](#) [PT01SE-16-8P\(476\)](#) [CTV06RW-11-2JB-LC](#) [97-3108A-22-14P](#) [10-474017-10P](#) [MS27473P14B18S](#) [TV06RW-25-90AE](#)
[CTVS06RF-25-46PB-LC](#) [PT02E10-2PW](#) [PT02E10-2PX](#) [97-3106A18-3PX-958](#) [97-3106A18-3PY-958](#) [PT06J20-24SW](#) [TV06RL-13-35AD](#)
[TV06RL-13-98BD](#) [TV06RW-25-46AE](#) [TV06RL-13-35SD-LC](#) [TV06RL-13-35SD](#) [TV06RL-13-98SD-LC](#) [TV06RL-13-98SD](#) [TVP00RW-23-](#)
[53AD](#) [PT02E10-2PW-025](#) [100-007-213-002-001](#) [2M805-002-16NF23-12PA](#) [97-3108B16S-5PW-417](#) [97-3108B16S-5PY-417](#) [CS-](#)
[DSDMDB37MF-025](#) [97-3108B16S-5PZ-417](#) [GTC02R32-17S-025-RDS](#) [PT06SE2041P](#) [CF-5A9013-04N](#) [CF-6A4615-06N](#) [GTC02R32-17S-](#)
[025-RDS-LC](#) [GTC02R32-17S-025-LC](#) [PT06SE-24-61P\(LC\)](#) [SP28W1F](#) [TV07DT-25-37P](#) [TV07DT-25-37JN-LC](#) [TV07DT-25-37S](#) [TV07DT-](#)
[25-37S-LC](#) [TV07DT-25-46P-LC](#) [97-3101A20-21P-958](#) [TV07DT-25-90P-LC](#) [TV07DT-25-46A](#) [TV07DT-25-37P-LC](#) [GTS08-36-22PZ-025-](#)
[B30](#) [PT00SP2241P](#) [CTVPS00RF-15-15AC](#) [LJT06RT-15-35PB\(023\)](#) [TVS07RF-15-15AB](#)