

PRODUCT NUMBER
10119333-YXX-XXLF

PLATING
1=0.76µm GXT/GOLD ON CONTACT
2µm TIN MIN ON TAILS
4=2µm TIN MIN FULL PLATED

RoHS COMPATIBLE
NOTE 4

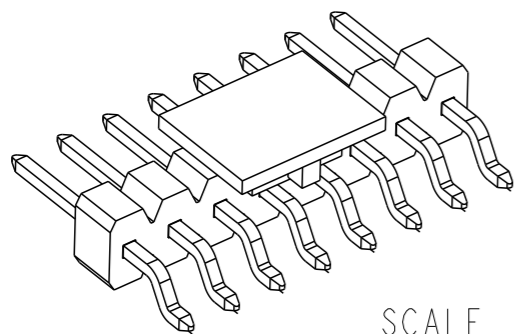
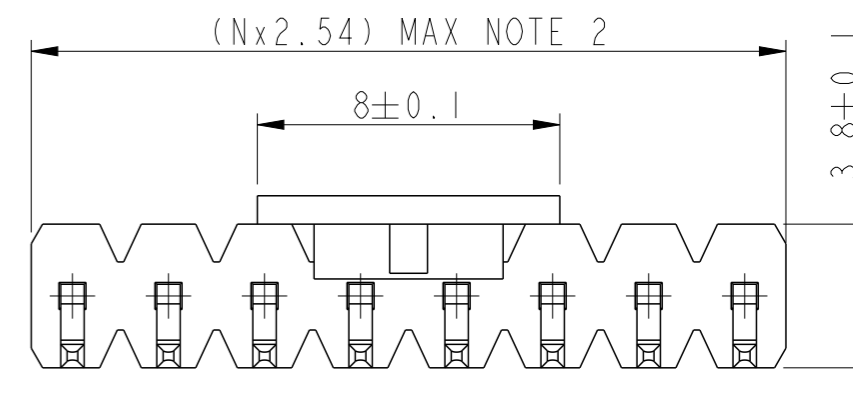
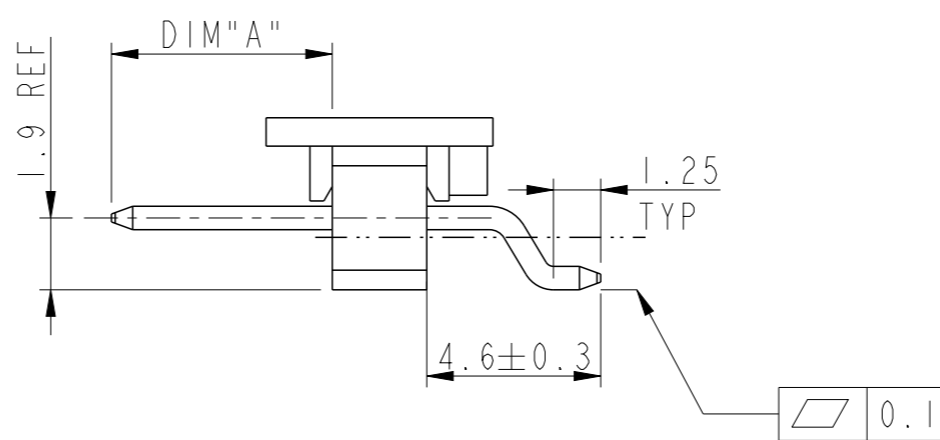
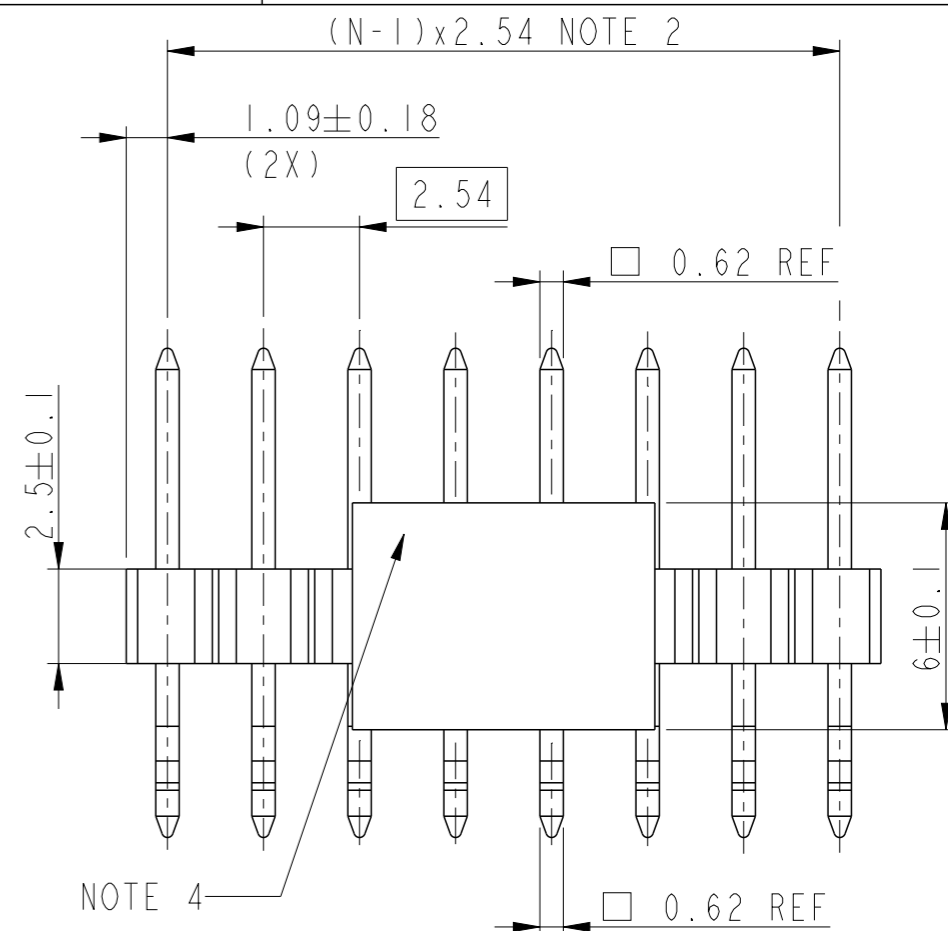
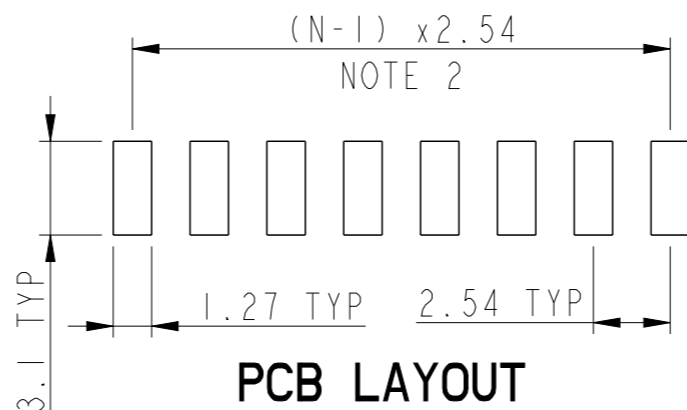
TOTAL NUMBER OF
POSITIONS :
02 TO 25 POS

PACKAGING, NOTE 3

STYLE	DIM "A" ±0.2
01	5.84
02	8.08
03	10.67
04	3.00

NOTES:

- 1 - MATERIAL:
 - BODY: HIGH TEMPERATURE THERMOPLASTIC
UL94V-0 COLOR BLACK
 - PIN : COPPER ALLOY
- 2 - TO DETERMINATE DIMENSIONS :
N = NUMBER OF POSITIONS
EXAMPLE : 8 POS x 2.54=20.32
- 3 - PACKAGING:
A = TAPE & REEL PACKAGING WITH PICK -UP CAP
AS PER GS-14-2357
K= T&R PACKAGING WITHOUT PICK UP CAP,
AS PER GS-14-2357
- = POLYBAGS
- 4 - RoHS COMPATIBLE PRODUCT SPECIFICATIONS :
 - a - PLATING :
"LF" MEANS THE PRODUCT IS LEAD FREE
2µm MINIMUM MATTE TIN OVER 1.27µm
MINIMUM NICKEL UNDERPLATED
 - b - MANUFACTURING PROCESS COMPATIBILITY :
THE HOUSING WILL WITHSTAND EXPOSURE TO
260°C PEAK TEMPERATURE FOR 30 SECONDS
MAX IN CONVECTION, INFRA-RED OR VAPOR
PHASE OR REFLOW OVEN
 - c - LABELLING :
MEETS PACKAGING SPECS AS PER GS-14-920
 - d - LEGAL STATEMENT : SEE GS-47-0004
- 5 - PRODUCT SPECIFICATIONS AS PER BUS-12-114
EXCEPT PIN RETENTION FORCE 5N MIN.



SCALE 3:1

spec ref	dr	Aymeric Soudy	2014/02/21	projection	MM	size	A3	scale	5:1
tolerance std	eng	Pro Engineer 1	2014/04/23			ecn no	-	rel level	Released
ISO 406 ISO 1101	chr	Laurent Mulin	2014/04/23						
surface	linear	0.X	±0.3		product family BSTIK	dwg no	10119333	rev	A
		0.XX	±0.13						
ISO 1302	angular	0°	±2°	www.fci.com	cat. no.	-	Product - Customer Drw	sheet 1 of 1	



Copyright FCI.

X-ON Electronics

Largest Supplier of Electrical and Electronic Components

Click to view similar products for [Headers & Wire Housings](#) category:

Click to view products by [Amphenol](#) manufacturer:

Other Similar products are found below :

[892-18-020-10-001101](#) [58102-G61-06LF](#) [582553-1](#) [0009485154](#) [009176003701906](#) [0050291907](#) [LY20-4P-DT1-P1E-BR](#) [02.125.8002.8](#)
[609-3404](#) [61062-3](#) [622-0430](#) [622-3653LF](#) [63453-116](#) [636-1030](#) [636-1427](#) [636-3427](#) [636-4007](#) [641938-9](#) [641991-4](#) [644827-2](#) [65817-010LF](#)
[65817-015LF](#) [65863-015LF](#) [66207-023LF](#) [67095-007LF](#) [67601157](#) [68648-049](#) [70.362.1628.0](#) [70-4210](#) [70-4226B](#) [70-4853B](#) [707-5020](#) [707-](#)
[5028](#) [71.350.2428.0](#) [71918-208LF](#) [71961-016LF](#) [733-134](#) [733-162](#) [754199-000](#) [760-3052](#) [787-8014-00](#) [79531-3000](#) [FCN-360C032-B](#) [FCN-](#)
[367T-T012/H](#) [FCN-723D010/2](#) [80.063.4001.1](#) [800-90-001-10-001000](#) [800-90-010-10-002000](#) [801-43-002-10-013000](#) [801-43-006-10-002000](#)