

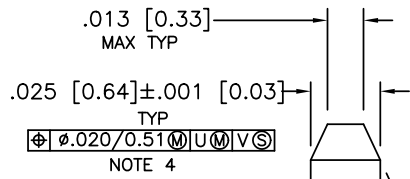
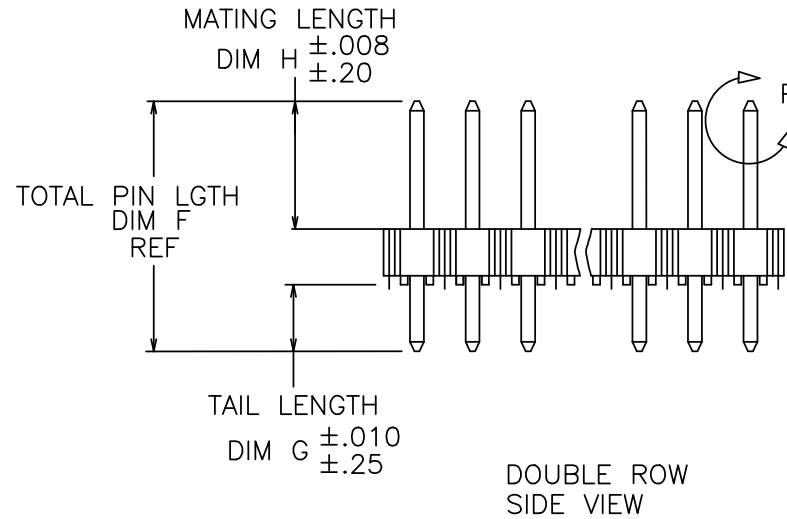
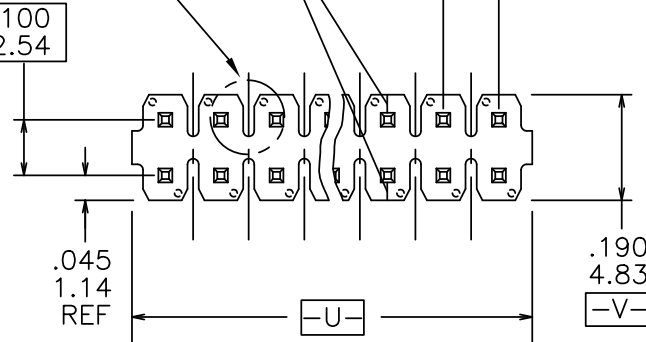
PRODUCT NUMBER
10119856 -XYHLF

- LEAD FREE OPTION SEE NOTE 12
- HIGH TEMPERATURE PLASTIC SEE NOTE 1
- NO OF POSITIONS SEE NOTE 3
- PIN PLATING SEE SHEET 2
- BASE PART NO.

OPEN KNIT LINE PERMISSIBLE IN THIS AREA

NOTE 8
.100
2.54

.100
2.54 TYP



25°±5°
4 SIDES

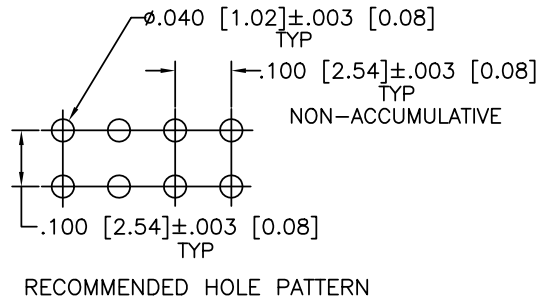
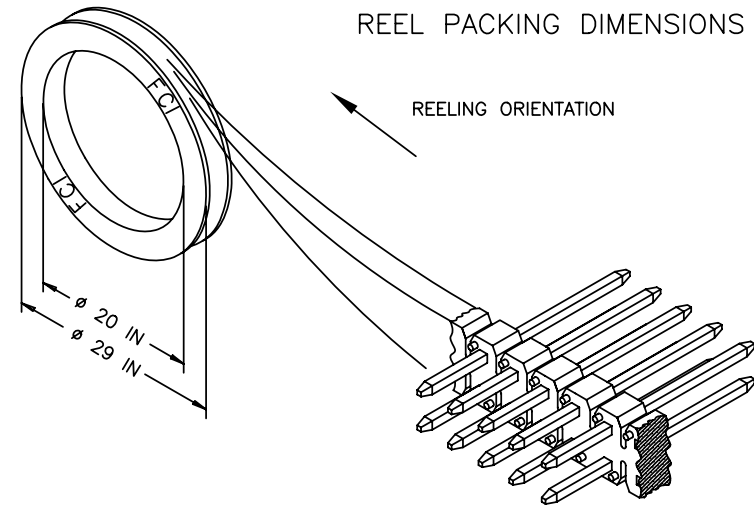
mat'l. code SEE NOTE 1 & 2		surface ISO 1302 ✓	tolerance ISO 406 ISO 1101	projection INCH/MM	product family BERGSTIK
ltrlecn nldr	date	tolerances unless otherwise specified		title	BERGSTIK™ HEADER. D/R .100/2.54cc STRAIGHT
A	- J.Z 2012-02-29	angles	linea	scale 1:1	
		0°±2'	XXXX±.005/XXX±0.13		dwg no
			XXXX±.0020/XXX±0.05		sheet of 2
		dr	J.ZHOU	2012-02-29	size
		engr	J.ZHOU	2012-02-29	10119856
		chr	J.ZHOU	2012-02-29	A3
		appd	R.BIAN	2012-02-29	type
					Product Customer Drawing
sheet index	revision	2	2		
	sheet	1	2		

PRODUCT NUMBER	TOT. PIN LGTH.		TAIL LENGTH		MATING LENGTH		PACKAGING
	DIM F	DIM F	DIM G	DIM G	DIM H	DIM H	
	ENGLISH	METRIC	ENGLISH	METRIC	ENGLISH	METRIC	
10119856-400HLF	0.575	14.6	0.098	2.50	0.376	9.56	REEL

NOTES

- ① BODY MATERIAL : MANUFACTURER'S OPTION OF LCP
FLAME RETARDENT PER UL-94V-0.
COLOR: BLACK
- ② PIN MATERIAL : BRASS.
- ③ EVEN NUMBER OF POSITIONS FROM 2 (2X1) THROUGH 72 (2X36)
FOR BERGSTIK. -X00H INDICATES BERGSTRIIP PRODUCT.
FOR SPECIAL GEOMETRY OF THIS CONTINUOUS STRIP PRODUCT.
AUTOMATED REELS WILL CONTAIN 20,000 PINS.
SEE SPECIFIC PART NUMBERS FOR AVAILABILITY.
- ④ MEASURED WITH PART IN RESTRAINED CONDITION.
- 5. TWO SIDES OF PIN TIPS NOT PLATED. TYPICAL BOTH ENDS.
- ⑥ 2LBS/0.9KG MIN PIN RETENTION IN EITHER DIRECTION.
- ⑦ ±.010/0.25 TOL APPLIES TO ALL "G" TAILS EXCEPT
INDICATED PARTS ON TABLE WHERE +.010/0.25 -.000/0.00
APPLIES.
- ⑧ NOTCH CONFIGURATION WILL VARY PER VENDOR'S DISCRETION.
- ⑨ TAIL LENGTH (DIM. G) TO BE ±.008/.0.20.

- 10. POSITIONS PER ROW 37 TO 50 CAN BE PRODUCED,
BUT FLATNESS AND CURVATURE MAY NOT BE
HELD AS CLOSE AS 36 POSITIONS.
- ⑩ TOTAL LENGHT= .100 [2.54] X NO DE COLUMNS
- 12. ADD "LF" SUFFIX AT THE END OF PART NUMBER FOR LEAD FREE OPTION.



PIN PLATING CODES:	WIRE CODES:
10119856-4YYHLF	100u"/2.54u MIN TIN OVER 50u"/1.27u MIN Ni

mat'l. code SEE NOTE 1 & 2	surface ISO 1302 ✓	tolerance ISO 406 ISO 1101	projection ⊕	product family BERGSTIK
ltrlecn nōdr date	tolerances unless otherwise specified		INCH/MM	title BERGSTRIIP™ HEADER. D/R .100/2.54cc STRAIGHT
A	angles	linear	scale 1:1	dwg no 10119856
	0°±2'	XXX±.01/XXX±.03 XXX±.005/XXX±.013 XXX±.0020/XXX±.005		shee 2 of 2 size A3
	dr	J.ZHOU	2012-02-29	type Product Customer Drawing
	engr	J.ZHOU	2012-02-29	
	chr	J.ZHOU	2012-02-29	
	appd	R.BIAN	2012-02-29	
sheet index	revision sheet			

X-ON Electronics

Largest Supplier of Electrical and Electronic Components

Click to view similar products for [Headers & Wire Housings](#) category:

Click to view products by [Amphenol](#) manufacturer:

Other Similar products are found below :

[57102-F02-18ULF](#) [58102-G61-06LF](#) [0009485154](#) [009176003701906](#) [0050291907](#) [02.125.8002.8](#) [609-3404](#) [61062-3](#) [622-0430](#) [622-3653LF](#)
[63453-116](#) [636-1030](#) [636-1427](#) [636-3427](#) [636-4007](#) [641938-9](#) [644827-2](#) [65495-038](#) [65692-001LF](#) [65781-018](#) [65781-047](#) [65817-010LF](#)
[65817-015LF](#) [66207-023LF](#) [67016-026LF](#) [67095-007LF](#) [68631-112](#) [68645-018](#) [68648-049](#) [699319-000](#) [70.362.1628.0](#) [70-4210](#) [70-4226B](#)
[70-4853B](#) [707-5020](#) [707-5028](#) [71.350.2428.0](#) [71961-016LF](#) [733-134](#) [754199-000](#) [760-3052](#) [787-8014-00](#) [FCN-367T-T012/H](#) [80.063.4001.1](#)
[800-90-001-10-001000](#) [800-90-010-10-002000](#) [801-43-002-10-013000](#) [801-43-006-10-002000](#) [803-41-018-10-001000](#) [803-43-014-20-](#)
[001000](#)