

1

2

3

4

A

B

C

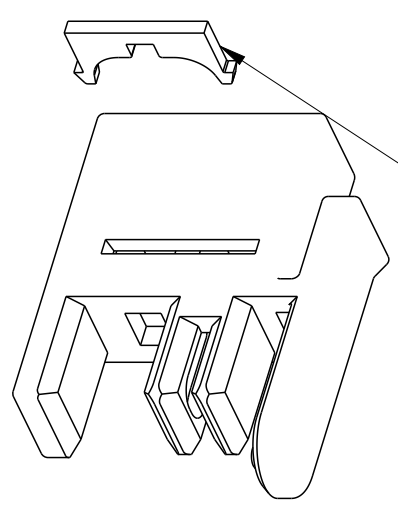
D

A

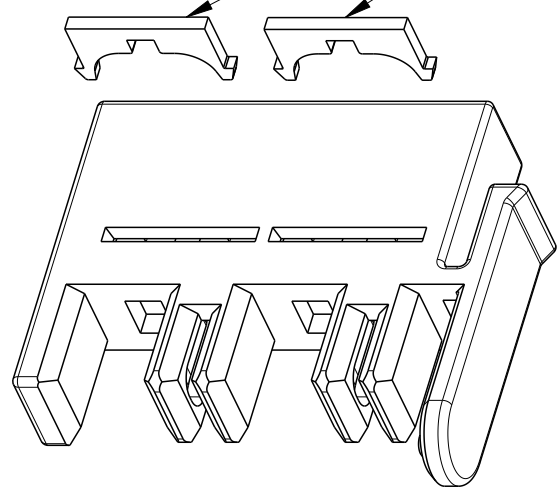
B

C

D



2 POSITION WTB HOUSING KIT



4 POSITION WTB HOUSING KIT

TERMINAL LOCKS

PART NO	DESCRIPTION	HOUSING QTY	LOCK QTY	PACK QTY
10120045-K02LF	2 POS HSG KIT	1	1	1000 nos
10120045-K04LF	4 POS HSG KIT	1	2	1000 nos

NOTE :-

1. HOUSINGS AND LOCKS TO BE BULK PACKED SEPARATELY IN A BAG (OR MULTIPLE BAGS) AND THEN PACKED TOGETHER.
2. FOR ADDITIONAL INFORMATION ON HOUSINGS AND LOCKS REFER DWG 10120045-H0X & 10120045-L01.
3. LEAD FREE OR RoHS DIRECTIVE LABELING TO BE PROVIDED AS PER GS-14-920
4. "LF" SUFFIX TO THE PRODUCT NUMBER FOR RoHS COMPATIBLE/LEADFREE VERSION.
5. THIS PRODUCT MEETS EUROPEAN UNION DIRECTIVES AND OTHER COUNTRY REGULATIONS AS DESCRIBED IN GS-47-0004
6. THIS PRODUCT HAS NOT COMPLETED VALIDATION TESTING.

PRELIMINARY



Copyright FCI.

spec ref -		dr Mathew Jacob	2015/03/30	projection	MM	size A3	scale 13:1
tolerance std ISO 406 ISO 1101		TOLERANCES UNLESS OTHERWISE SPECIFIED				ecn no -	
surface -		eng Mathew Jacob	2015/07/06			product family ROTACONNECT	
ISO 1302	linear	0.X	±0.20		CTW HOUSING KIT		dwg no 10120045-K0Xc rev 1
		0.XX	±0.10		WIRE TO BOARD CONNECTOR		
		0.XXX	±0.05		SEE TABLE		
angular	0°	±2°	www.fci.com	cat. no.	Product - Customer Drw	sheet 1 of 1	

X-ON Electronics

Largest Supplier of Electrical and Electronic Components

Click to view similar products for [Board to Board & Mezzanine Connectors](#) category:

Click to view products by [Amphenol](#) manufacturer:

Other Similar products are found below :

[589158040000018](#) [MDF7C-18P-2.54DSA\(55\)](#) [FCN-230C068-11](#) [FCN-268F012-G/BD](#) [FCN-268F036-G/BD](#) [FCN-268M012-G/0D](#) [FCN-268M024-G/1D](#) [FCN-723J004/1](#) [MIS-048-01-F-D-DP-K](#) [832-10-034-10-001000](#) [FX4C-80S-1.27DSA](#) [FCN-214Q030-G/0](#) [FCN-234P048-G/0](#) [FCN-235D050-G/C](#) [210-93-314-41-105000](#) [2-22603-0](#) [MDF7-40DP-2.54DSA\(55\)](#) [AXG720047](#) [MIT-114-03-F-D-K](#) [55323-1519](#) [DF33-2P-3.3DSA\(24\)](#) [YFT-20-05-H-03-SB-K](#) [503308-3040](#) [026-6203-PDB](#) [027-6203-PDB](#) [069159702701000](#) [10123981-102LF](#) [101A10019X](#) [55650-0588-C](#) [68682-310LF](#) [68684-306](#) [75140-7012](#) [87471-650](#) [YTW-30-07-H-Q-410-140](#) [FCN-268F024-G0D](#) [10124054-515LF](#) [68685-603](#) [8-1616154-3](#) [MIS-019-01-F-D](#) [FCN-268M024-G/3D](#) [FCN-268M036-G/BD](#) [20021832-06016C1LF](#) [KX15-20KLDL-E1000E](#) [AXE810124](#) [FCN-214J100-G/0](#) [FCN-230C068-E/S](#) [AXE812124](#) [AXE816124](#) [AXE720127](#) [354184](#)