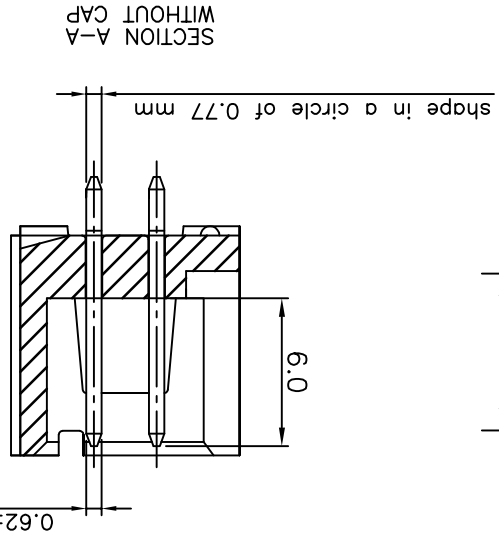
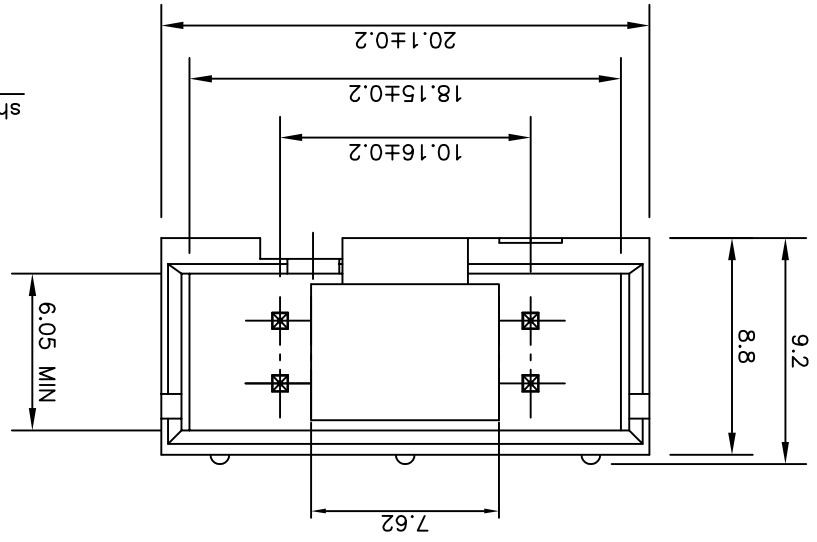


PRODUCT NUMBER

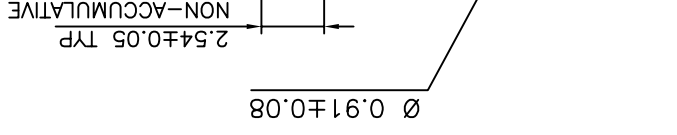
10120689-110ALF

- 1 - 0.76µm GOLD/EXT (PdNi WITH GOLD FLASH) ON CONTACT AREA
- 2µm MIN MATTE TIN ON TAILS.
- 1.27µm NICKEL MIN UNDERPLATING
- PLATING
- LEAD FREE, RoHS COMPATIBLE, NOTE 5.
- PACKAGING SEE NOTE 4
- TOTAL NBR OF POSITION

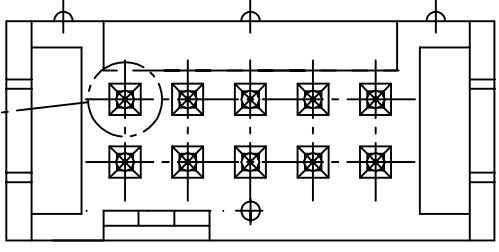
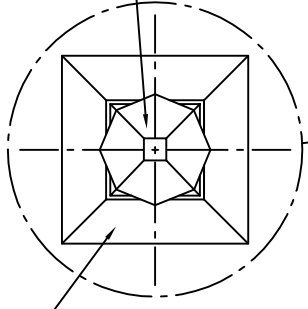
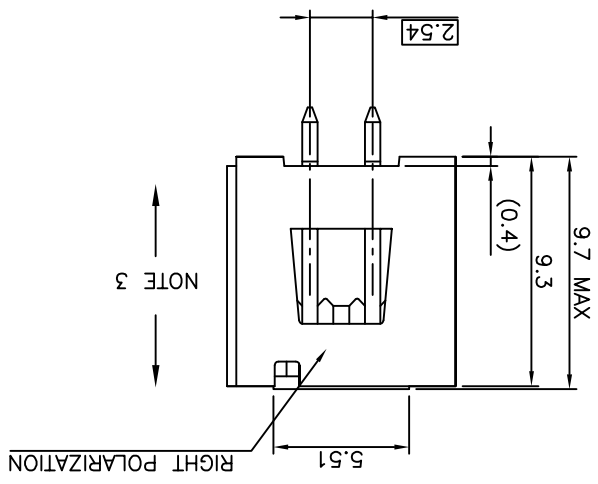
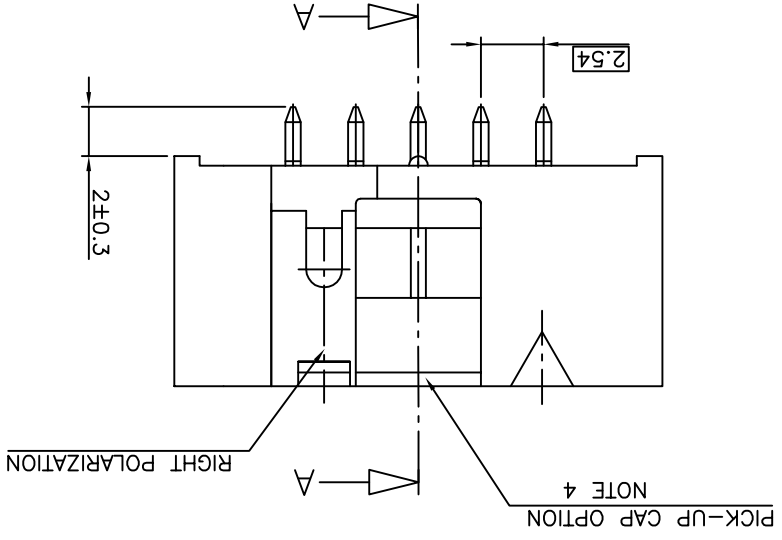


NOTES:

- 1 - HOUSING MATERIAL: HIGH TEMPERATURE THERMOPLASTIC, UL94 V-0 COLOR WHITE.
- 2 - CONTACT MATERIAL: COPPER ALLOY
- 3 - MINIMUM PUSH OUT FORCE OF PIN IN EITHER DIRECTION : 20N BEFORE SOLDERING.
- 4 - PACKAGING:
A = TAPE & REEL WITH PICK-UP CAP.
SEE TA-893 FOR PRODUCT AVAILABILITY.
5. RoHS COMPLIANT & COMPATIBLE PRODUCT SPECIFICATIONS
- a - PLATING:
"LF" MEANS THE PRODUCT IS LEAD-FREE AND RoHS COMPLIANT
2µm MINIMUM MATTE TIN ON TAILS OVER 1.27µm MINIMUM NICKEL UNDERPLATE.
- b - THIS PRODUCT MEETS EUROPEAN UNION DIRECTIVES AND OTHER COUNTRY REGULATIONS AS PER GS-22-008.
- c - MANUFACTURING PROCESS COMPATIBILITY
- THE HOUSING WILL WITHSTAND EXPOSURE TO 260° PEAK TEMPERATURE FOR 10-30 SECONDS IN A CONVECTION INFRARED OR VAPOR PHASE REFLOW OVEN.
PHASE REFLOW OVEN.



RECOMMENDED 1.6MM THICK PCB LAYOUT,
STENCIL DESIGN RECOMMENDATIONS AS PER TA-894



mat'l. code		surface		tolerance		ISO 406 ISO 1101		product family		OKIE HDR	
NOTES 1, 2		ISO 1302		tolerances unless otherwise specified		date		title		OKIE HEADER SPECIAL	
A F12-0822 GPE		12.10.30		angles		linear		mm		scale 1:1	
dr		GPE		12.04.10		xxx ± 0.05		PIN IN PASTE WHITE & ROUND PIN		dwg no	
engr		JCO		12.04.10		xxx ± 0.15		CUSTOMER		10120689	
chr		appd		U COMPAGNON		12.04.10		type		Drawing	
sheet		revision		sheet		index		sheet		size	

X-ON Electronics

Largest Supplier of Electrical and Electronic Components

Click to view similar products for [Headers & Wire Housings](#) category:

Click to view products by [Amphenol](#) manufacturer:

Other Similar products are found below :

[95000-104TRLF](#) [10135584-644402LF](#) [DF62W-EP2022PCA](#) [95000-106TRLF](#) [DF62W-2022SCA](#) [DF62W-EP2022PC](#) [2203348](#) [DF62W-2022SC](#) [1084018](#) [1029039](#) [1084017](#) [802-10-012-10-002000](#) [1112640](#) [1112639](#) [891-007-9SS-BST1T](#) [000-34000](#) [0008550134](#) [0009482033](#) [0009507031](#) [57102-F02-18ULF](#) [57102-S06-03LF](#) [57202-S52-04LF](#) [PCN6-15S-2.5E](#) [0039019024](#) [58102-G61-06LF](#) [582553-1](#) [0009485154](#) [0009508121](#) [0022285053](#) [0050291907](#) [018731A](#) [LY20-4P-DT1-P1E-BR](#) [02.125.8002.8](#) [60101931](#) [60598-1 \(Cut Strip\)](#) [M1625-3R/100](#) [61062-3](#) [61082-181009](#) [CSU011177004](#) [636-1427](#) [638009-1](#) [641938-9](#) [641991-4](#) [644168-1](#) [644827-2](#) [647662-1](#) [65039-019ELF](#) [65692-001LF](#) [65781-018](#) [65781-047](#)