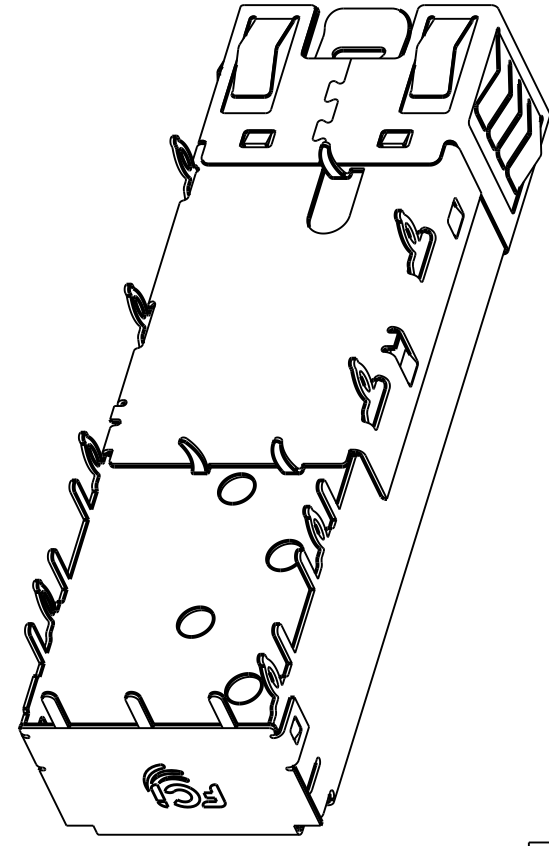
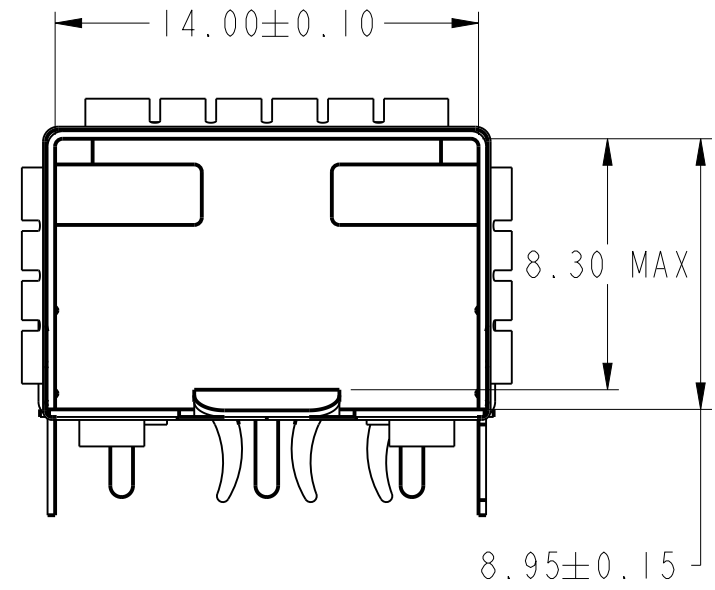


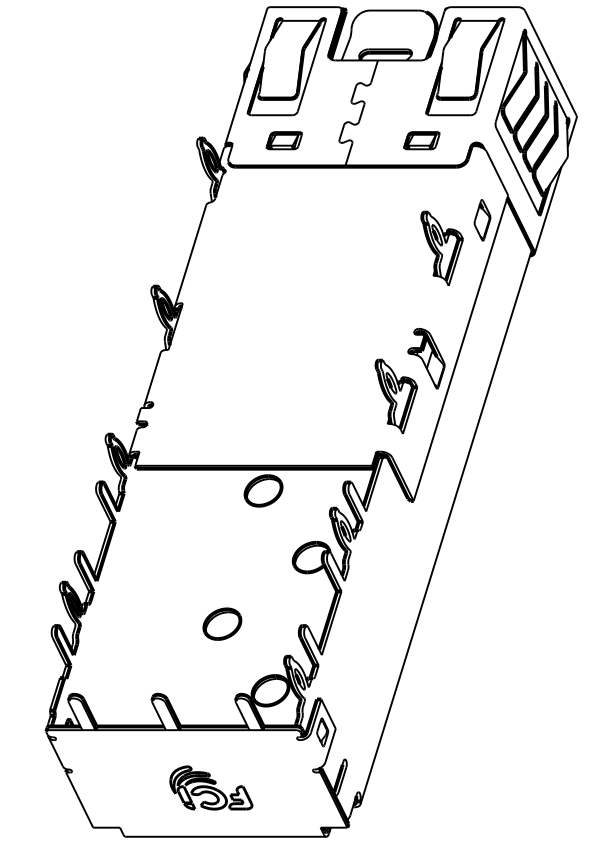
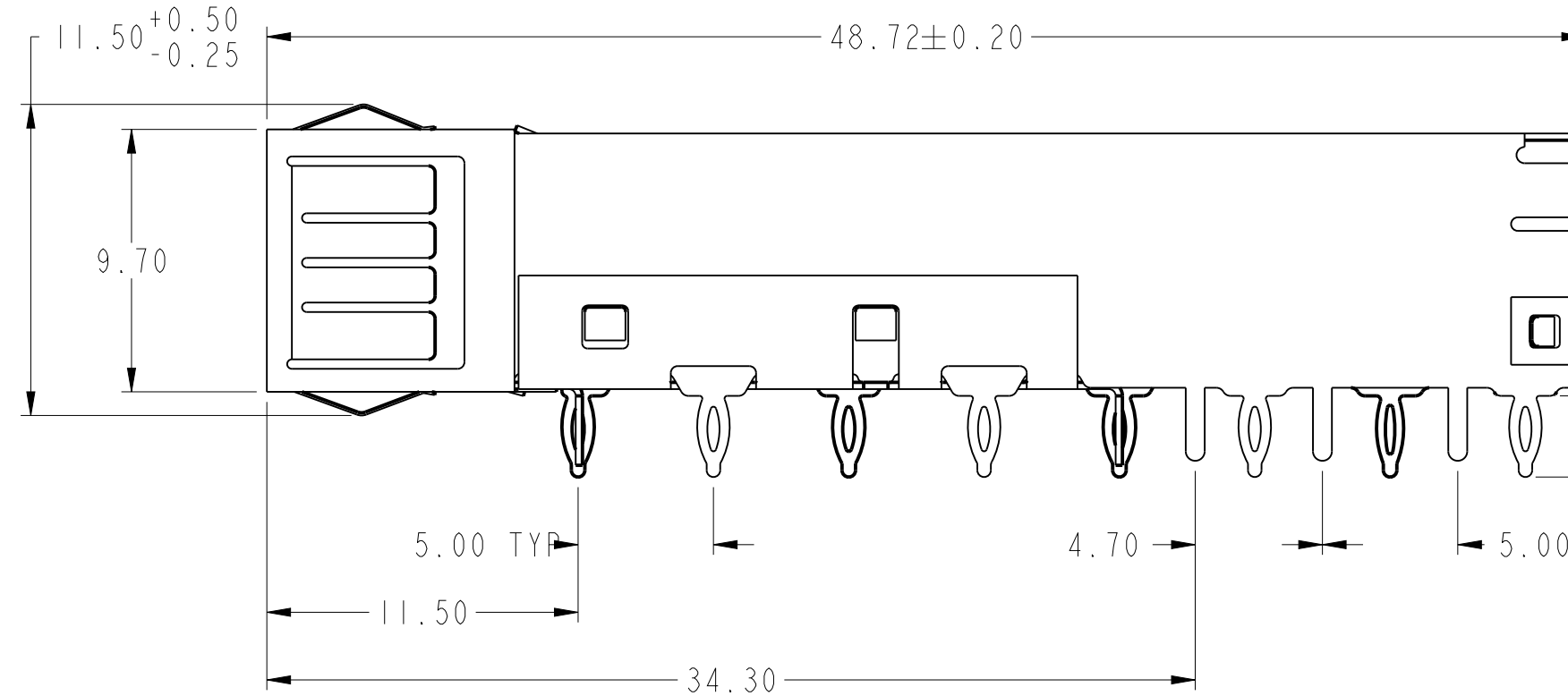
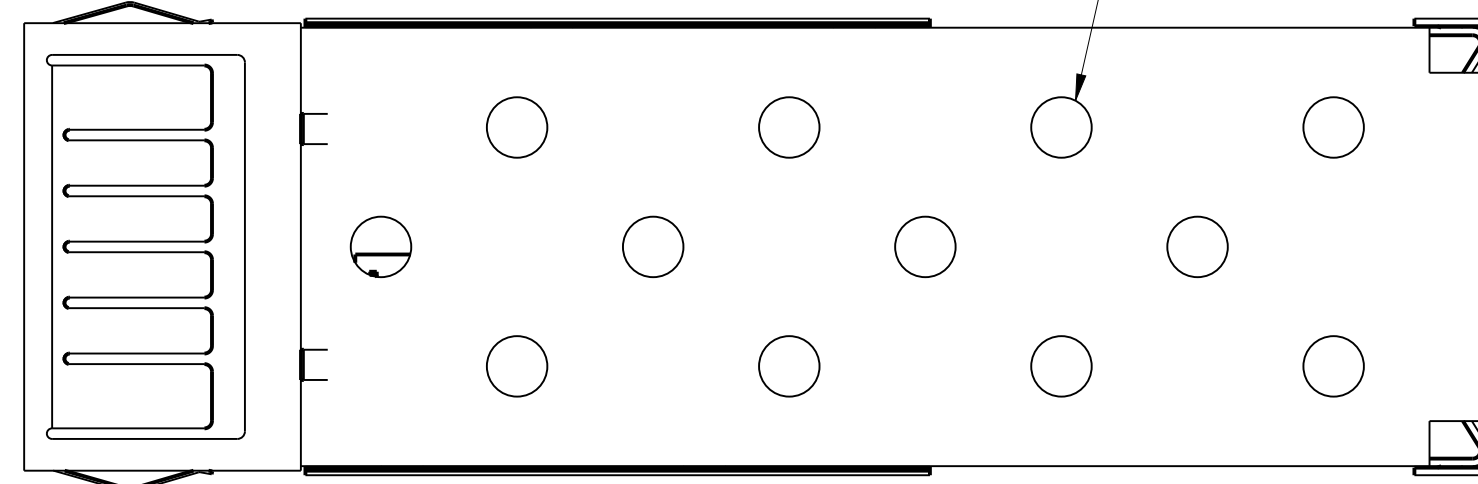
PRODUCT NUMBER	TYPE	TOP CAGE HOLE	PACKAGE
10122382-101LF	3 EMI SUPPRESSION PINS IN TOP CAGE & COMPLIANT PINS IN BOTTOM CAGE	WITHOUT HOLE	TRAY
10122382-102LF	3 EMI SUPPRESSION PINS IN TOP CAGE & COMPLIANT PINS IN BOTTOM CAGE	WITH HOLE	TRAY
10122382-202LF	3 EMI SUPPRESSION PINS IN TOP CAGE & NO COMPLIANT PINS IN BOTTOM CAGE	WITH HOLE	TRAY



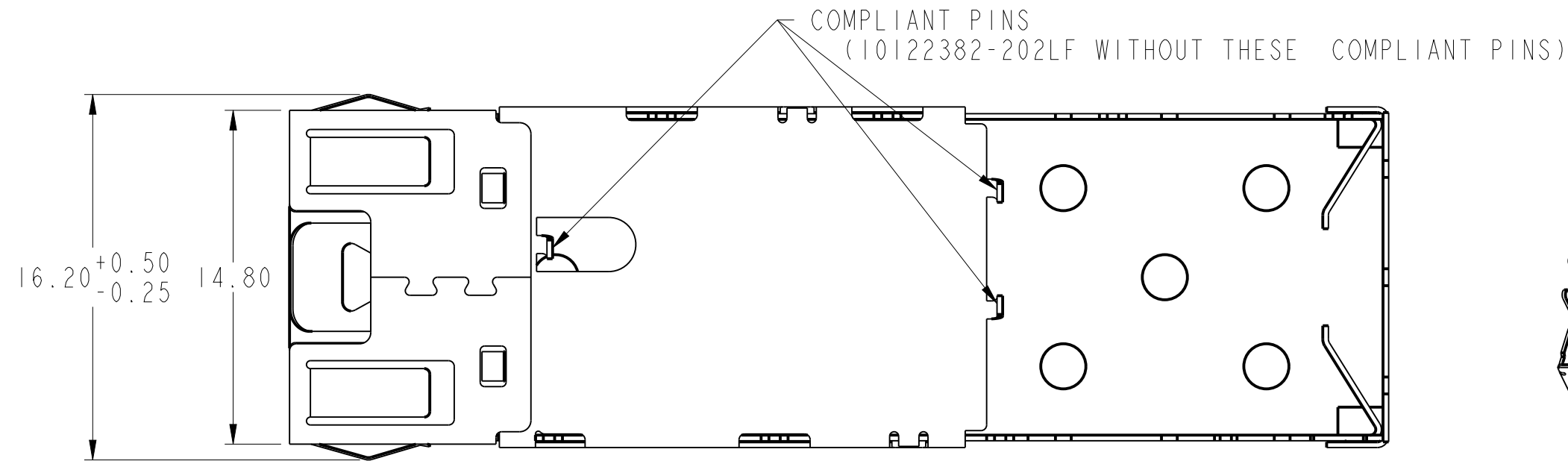
10122382-102LF
SFP+ IXI CAGE BASIC TYPE



3 EMI SUPPRESSION PINS
(Equal Height)



10122382-202LF
(NO COMPLIANT PINS IN BOTTOM CAGE)



10122382-102LF
3 EMI SUPPRESSION PINS IN TOP CAGE & COMPLIANT PINS IN BOTTOM CAGE

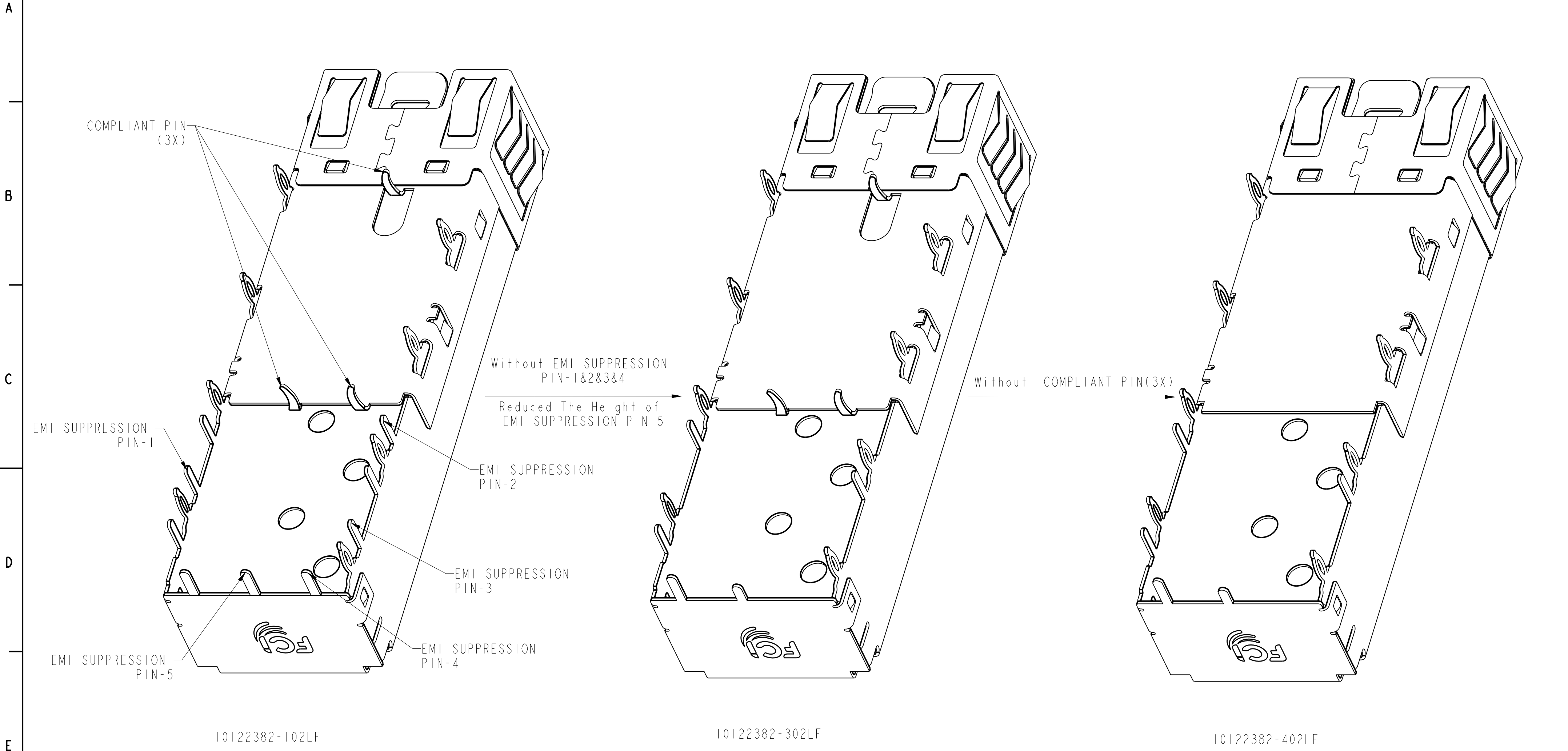
10122382-101LF
(NO TOP CAGE HOLES FOR BETTER EMI PERFORMANCE)

NOTES:

- MATERIAL:
CAGE BODY: NICKEL SILVER ALLOY
EMI SPRING: STAINLESS STEEL
INSULATION TAPE: SILICON POLYIMIDE
- DATUM AND BASIC DIMENSIONS ARE ESTABLISHED BY CUSTOMER.
- PADS AND VIAS ARE CHASSIS GROUND, 11 PLACES.
- THROUGH HOLES, PLATING OPTIONAL.
- CROSS-HATCHED AREA DENOTES COMPONENT AND TRACE KEEP-OUT (EXCEPT CHASSIS GROUND).
- THIS AREA DENOTES COMPONENT KEEP-OUT (TRACES ALLOWED).
- PRODUCT SPECIFICATION: GS-12-1165
- APPLICATION SPECIFICATION: GS-20-0384
- PACKAGE PER GS-14-2344 AND GS-14-920
- PRODUCT MEETS EUROPEAN UNION DIRECTIVES AND OTHER COUNTRY REGULATIONS AS DESCRIBED IN GS-22-008.

spec ref	RELEASE	dr	ART LIN	2014-03-20	projection	MM	size	A2	scale	4:1											
tolerance std	TOLERANCES UNLESS OTHERWISE SPECIFIED	eng	COLLINS LU	2014-03-21			ecn no														
ISO 406		chr	JEFFREY QIN	2014-03-21			product family	SFP+	rel level	Released											
ISO 1101		app					cat. no.	10122382	rev	C											
surface	<table border="1"> <tr> <td>linear</td> <td>0.X</td> <td>±0.25</td> </tr> <tr> <td></td> <td>0.XX</td> <td>±0.15</td> </tr> <tr> <td></td> <td>0.XXX</td> <td>±</td> </tr> <tr> <td>angular</td> <td>0°</td> <td>±2°</td> </tr> </table>	linear	0.X	±0.25		0.XX	±0.15		0.XXX	±	angular	0°	±2°			SFP+ IXI Cage EMI SPRING TYPE		Product - Customer Drw		sheet 1 of 6	
linear	0.X	±0.25																			
	0.XX	±0.15																			
	0.XXX	±																			
angular	0°	±2°																			

PRODUCT NUMBER	TYPE	TOP CAGE HOLE	PACKAGE
10122382-302LF	2 EMI SUPPRESSION PINS IN TOP CAGE & COMPLIANT PINS IN BOTTOM CAGE	WITH HOLE	TRAY
10122382-402LF	2 EMI SUPPRESSION PINS IN TOP CAGE & NO COMPLIANT PINS IN BOTTOM CAGE	WITH HOLE	TRAY

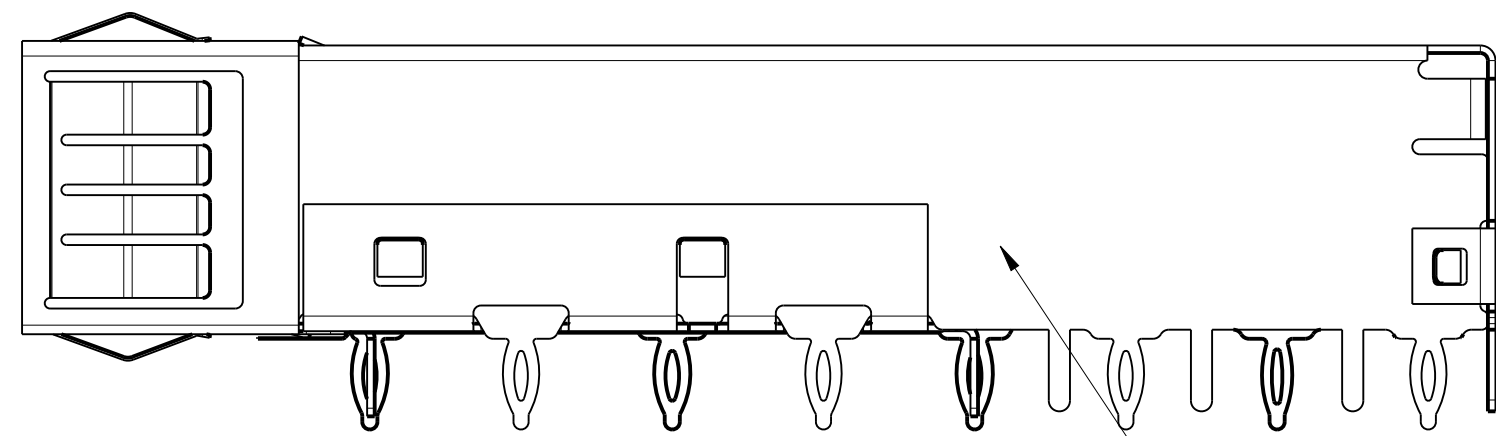
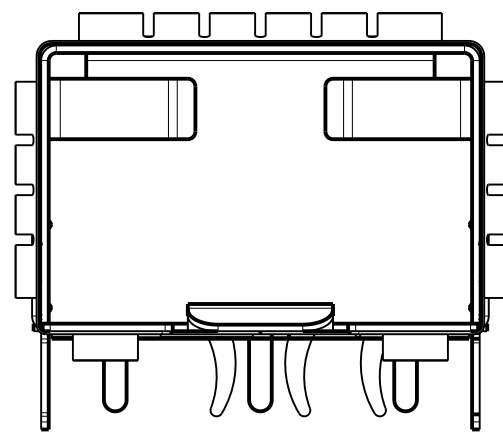


10122382-302LF/402LF WILL ALLOW FOR BELLY TO BELLY MOUNTING.

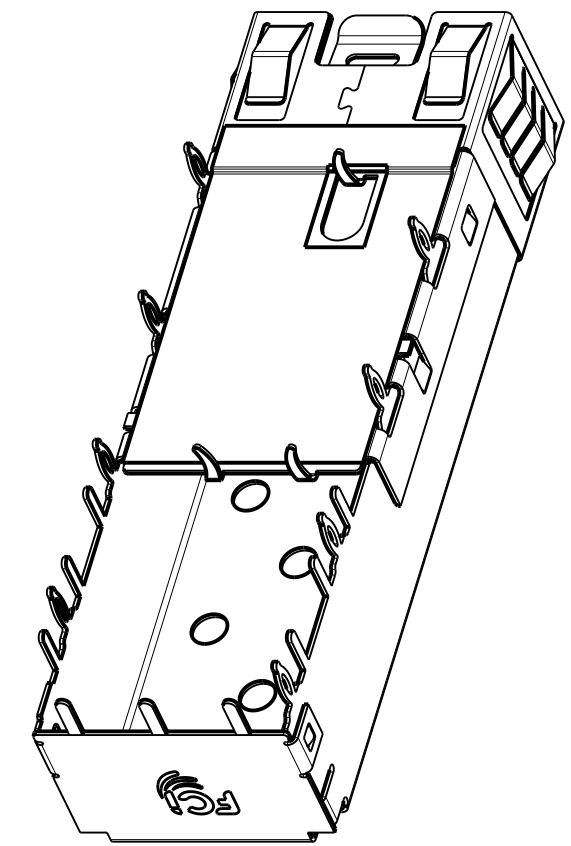
Copyright FCI. FCI

spec ref	RELEASE	dr	ART LIN	2014-03-20	projection	MM	size	A2	scale	5:1										
tolerance std	TOLERANCES UNLESS OTHERWISE SPECIFIED	eng					ecn no		rel level	Released										
ISO 406		chr	COLLINS LU	2014-03-21			product family													
ISO 1101		appr	JEFFREY QIN	2014-03-21			rel level													
surface	<table border="1"> <tr> <td>linear</td> <td>0.X</td> <td>±0.25</td> </tr> <tr> <td></td> <td>0.XX</td> <td>±0.15</td> </tr> <tr> <td></td> <td>0.XXX</td> <td>±-</td> </tr> <tr> <td>angular</td> <td>0°</td> <td>±2°</td> </tr> </table>	linear	0.X	±0.25		0.XX	±0.15		0.XXX	±-	angular	0°	±2°		SFP+ IXI Cage EMI SPRING TYPE		cat. no.	Product - Customer Draw	sheet 2 of 6	rev C
linear	0.X	±0.25																		
	0.XX	±0.15																		
	0.XXX	±-																		
angular	0°	±2°																		

PRODUCT NUMBER	TYPE	TOP CAGE HOLE	PACKAGE
10122382-502LF	CAGE WITH INSULATION TAPE	WITH HOLE	TRAY

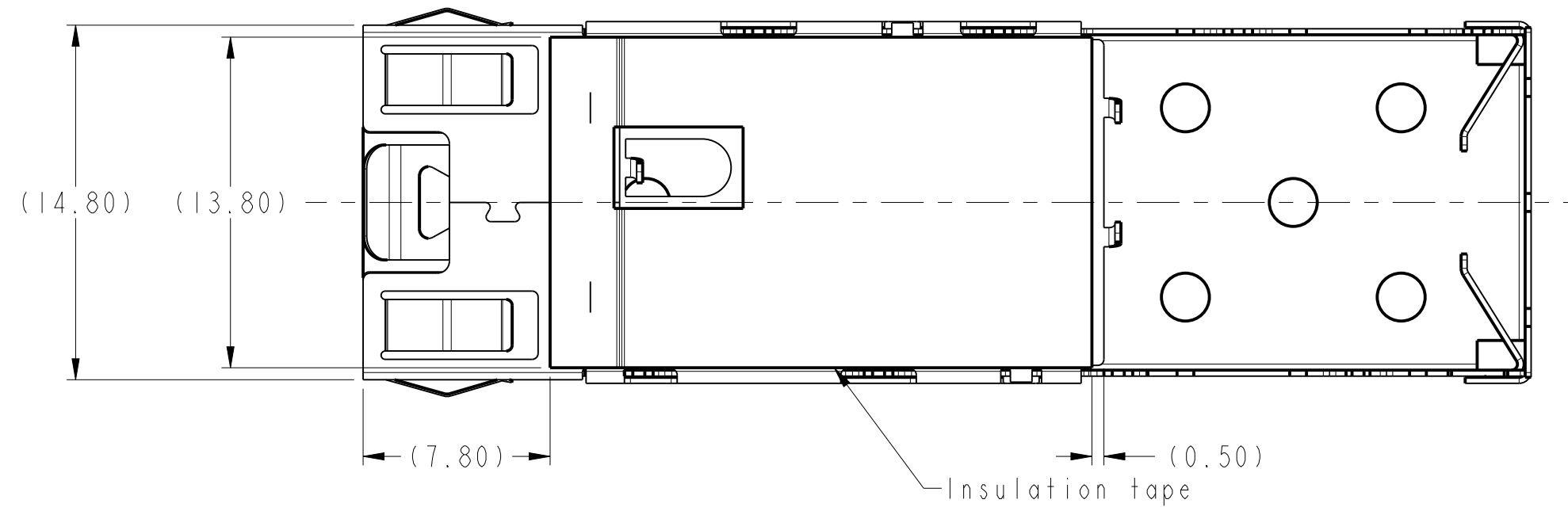


Cage 10122382-102LF



SCALE 5:2

10122382-502LF
(A MYLAR ON THE BOTTOM FOR INSULATION PROTECTION)



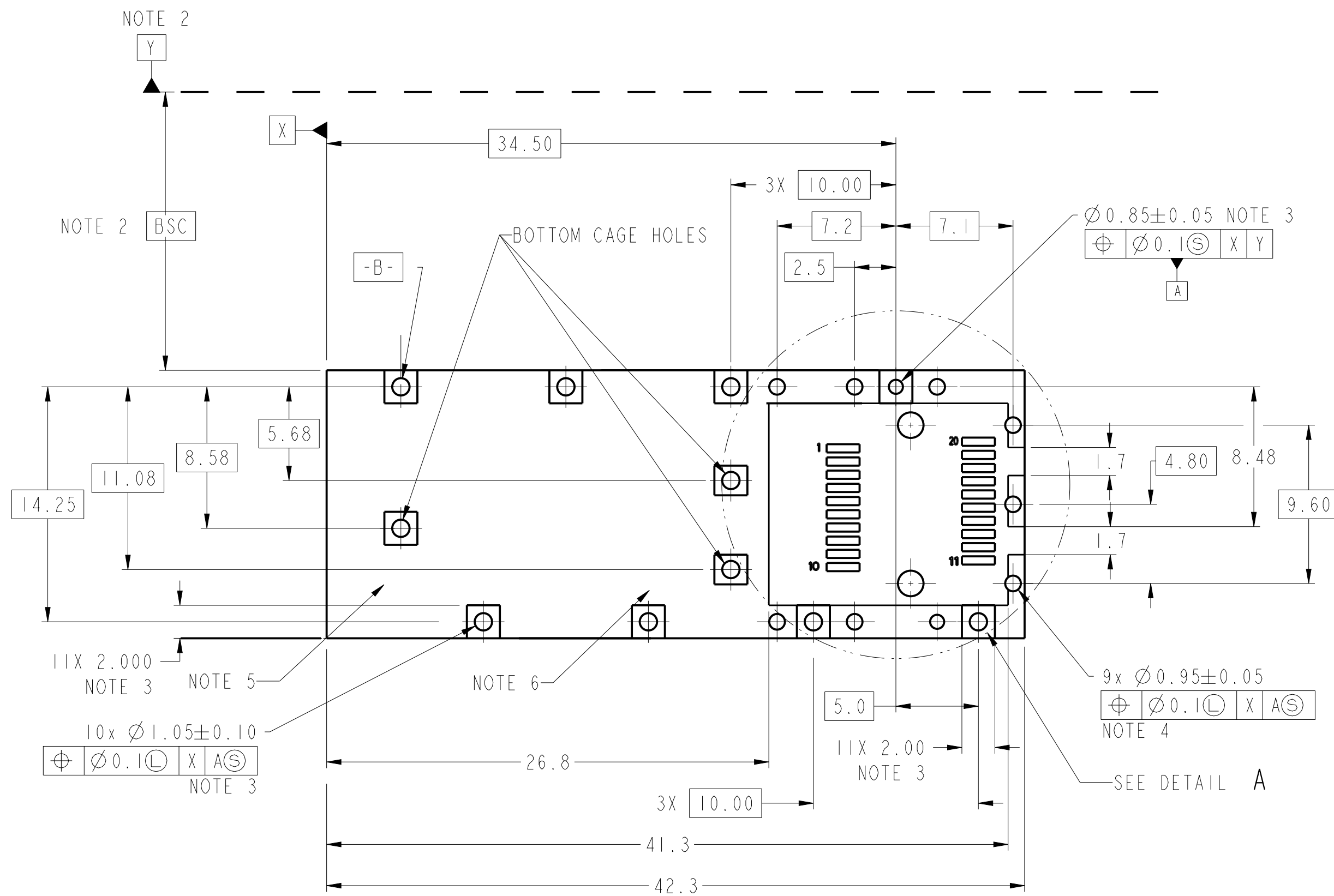
Copyright FCI. FCI

spec ref	RELEASE	dr	ART LIN	2014-03-20	projection	MM	size	A2	scale	4:1	
tolerance std	ASME Y14.5	eng	chr	COLLINS LU	2014-03-21		ecn no				
	TOLERANCES UNLESS OTHERWISE SPECIFIED	appr	JEFFREY QIN	2014-03-21	product family		SFP+	rel level	Released		
surface	✓	linear	0.X	±0.25	0.XX	±0.15	0.XXX	±	angular	0°	±2°
ISO 1302		angular	0°	±2°	www.fci.com		cat. no.	Product - Customer Drw		sheet 3 of 6	

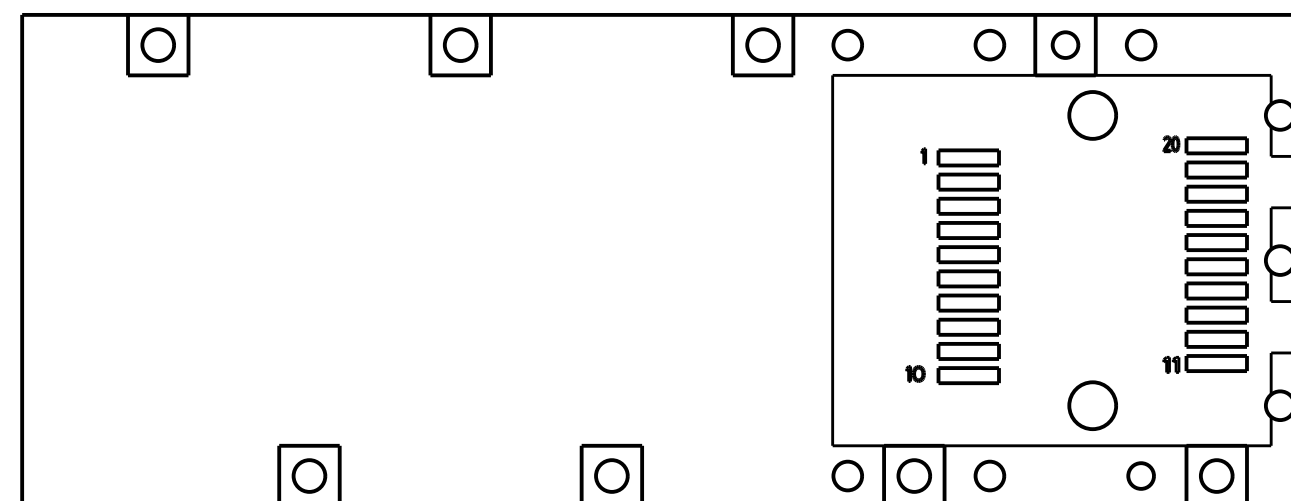
PDS: Rev: C

STATUS: Released

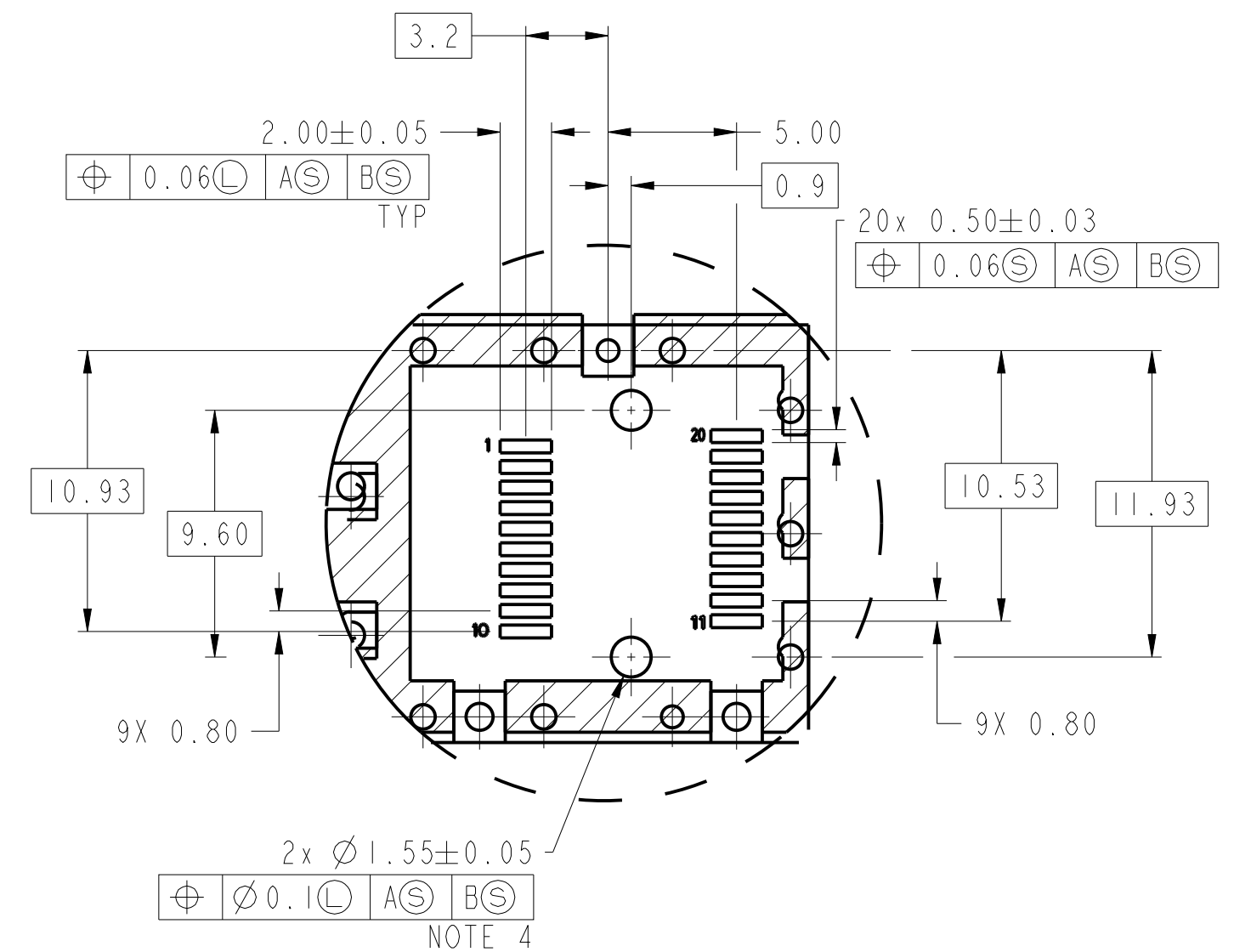
Printed: Apr 01, 2014



10122382-101LF/102LF/302LF/502LF
HOST BOARD MECHANICAL LAYOUT
SINGLE SIDED APPLICATIONS



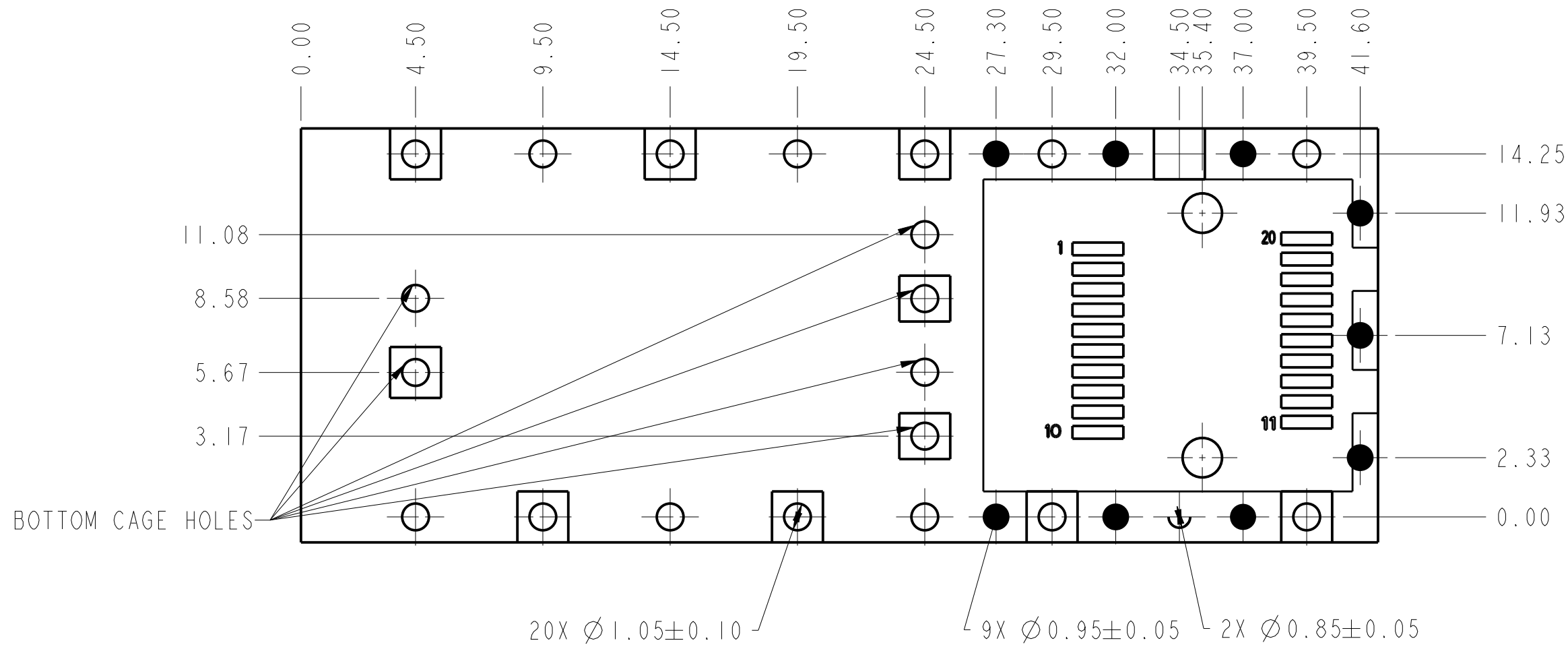
10122382-202LF
HOST BOARD MECHANICAL LAYOUT
SINGLE SIDED APPLICATIONS
(ONLY WITHOUT BOTTOM CAGE HOLES)



DETAIL A: HOST CONNECTOR LAYOUT
SCALE 4:1

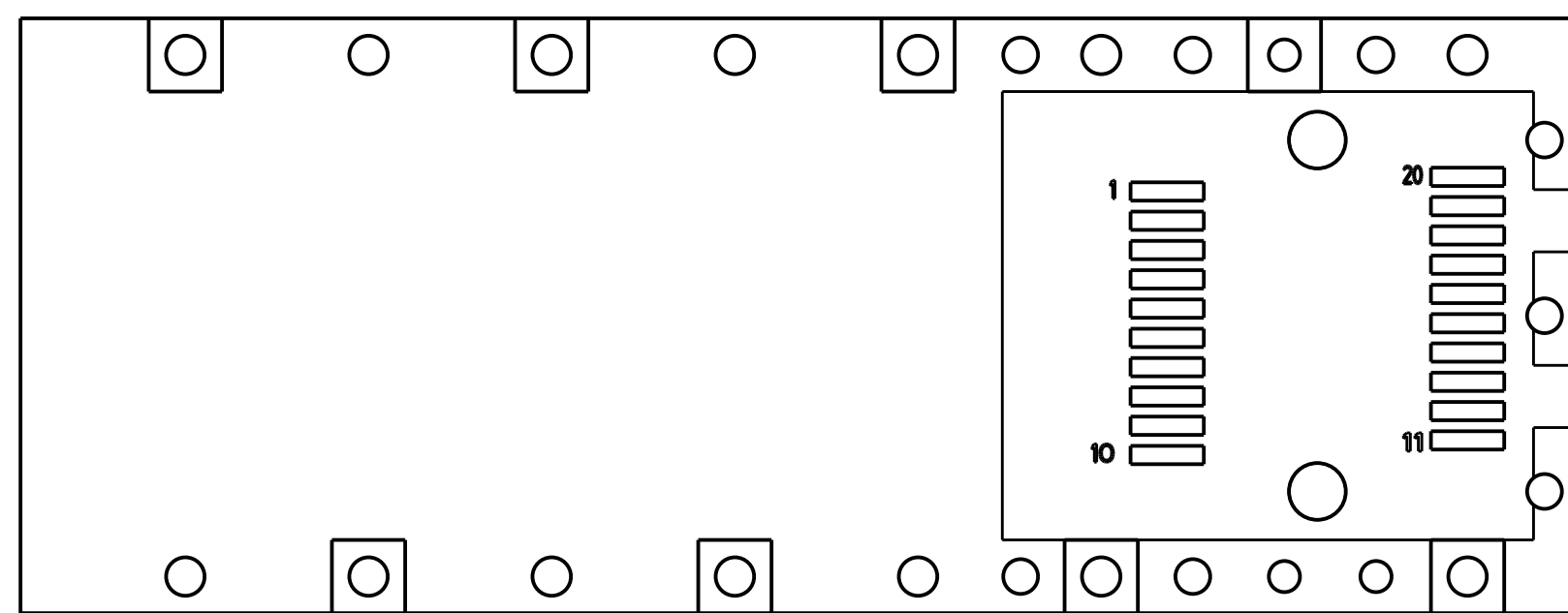
NOTE:
SEE SHEET 4 FOR
HOST CONNECTOR LAYOUT

spec ref	RELEASE	dr	ART LIN	2014-03-20	projection	MM	size	A2	scale	4:1
tolerance std	TOLERANCES UNLESS OTHERWISE SPECIFIED	eng	COLLINS LU	2014-03-21	chr	JEFFREY QIN	ecn no			
ISO 406		app			product family	SFP+	rel level	Released		
ISO 1101										
surface	✓	linear	0.X	±0.25	0.XX	±0.15	0.XXX	±		
ISO 1302		angular	0°	±2°						
		www.fci.com		cat. no.		Product - Customer Drw		sheet 4 of 6		



10122382-302LF
HOST BOARD MECHANICAL LAYOUT
BELLY TO BELLY APPLICATIONS

NOTE:
SEE SHEET 4 FOR
HOST CONNECTOR LAYOUT



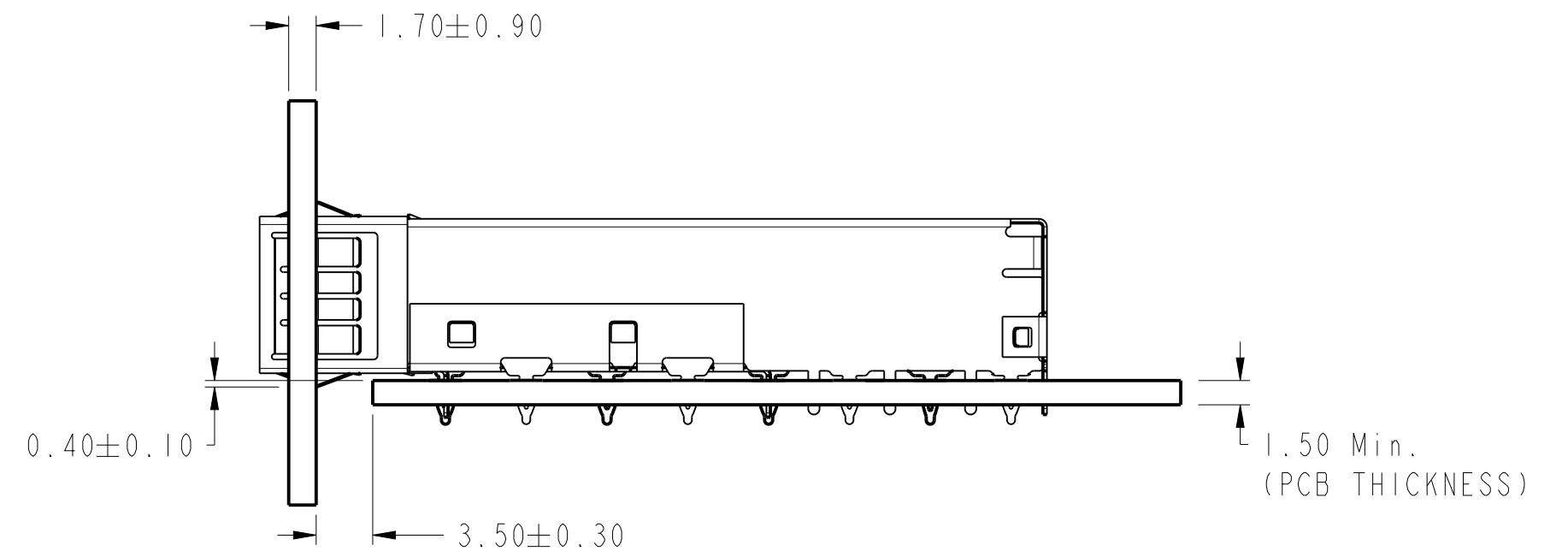
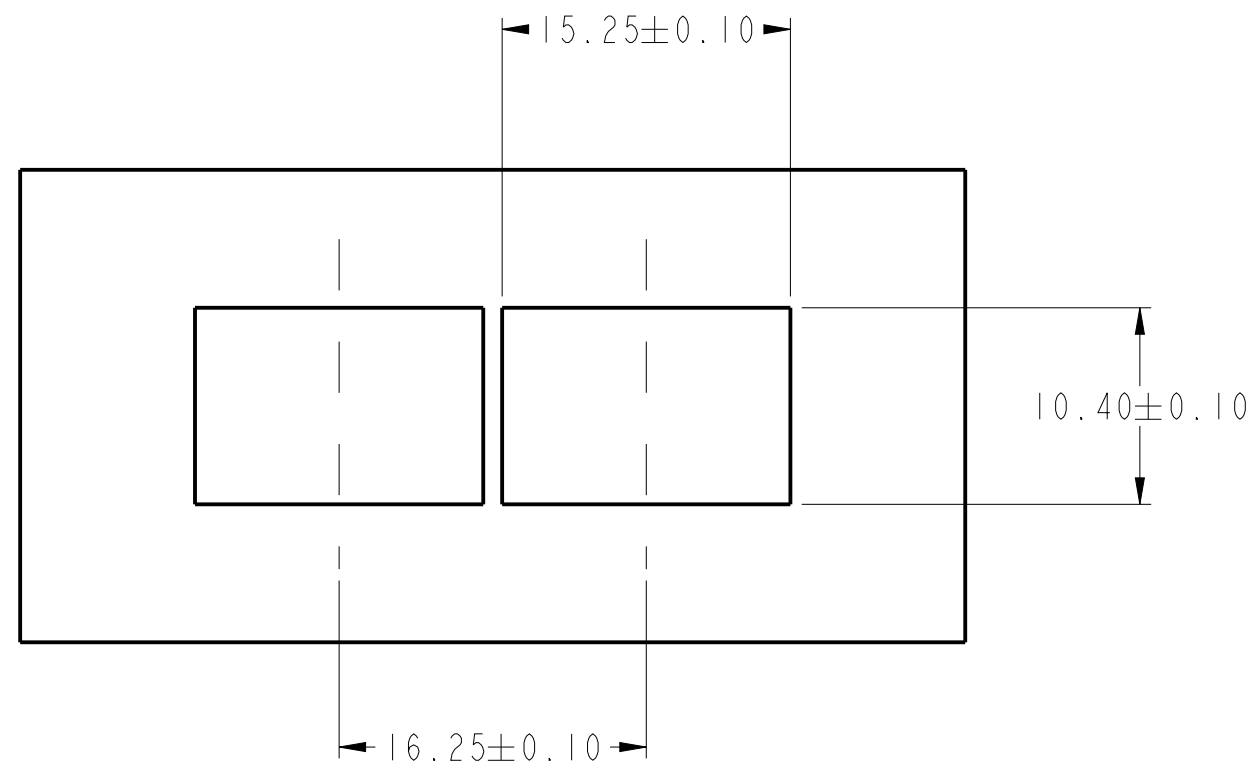
10122382-402LF
HOST BOARD MECHANICAL LAYOUT
BELLY TO BELLY APPLICATIONS
(ONLY WITHOUT BOTTOM CAGE HOLES)

NOTE:
SEE SHEET 4 FOR
HOST CONNECTOR LAYOUT

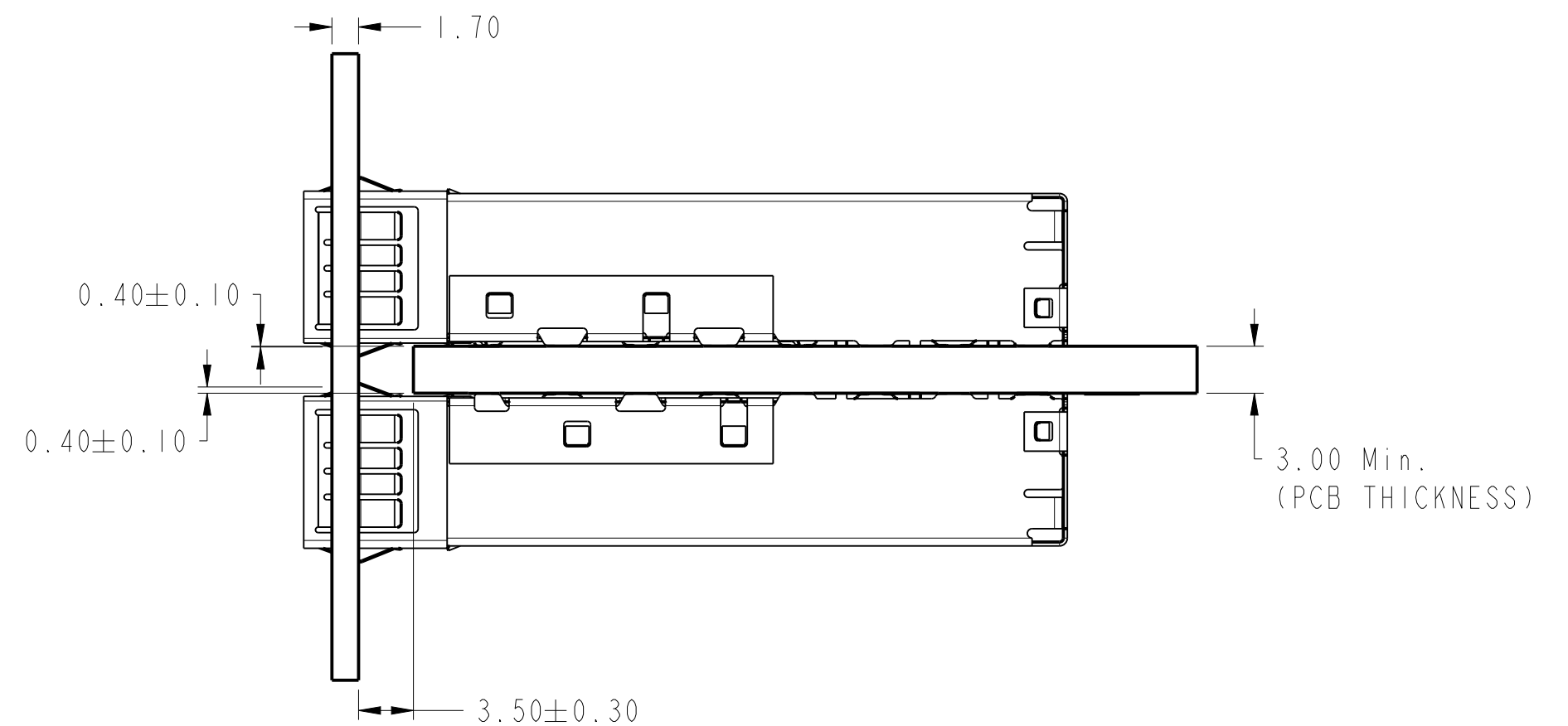
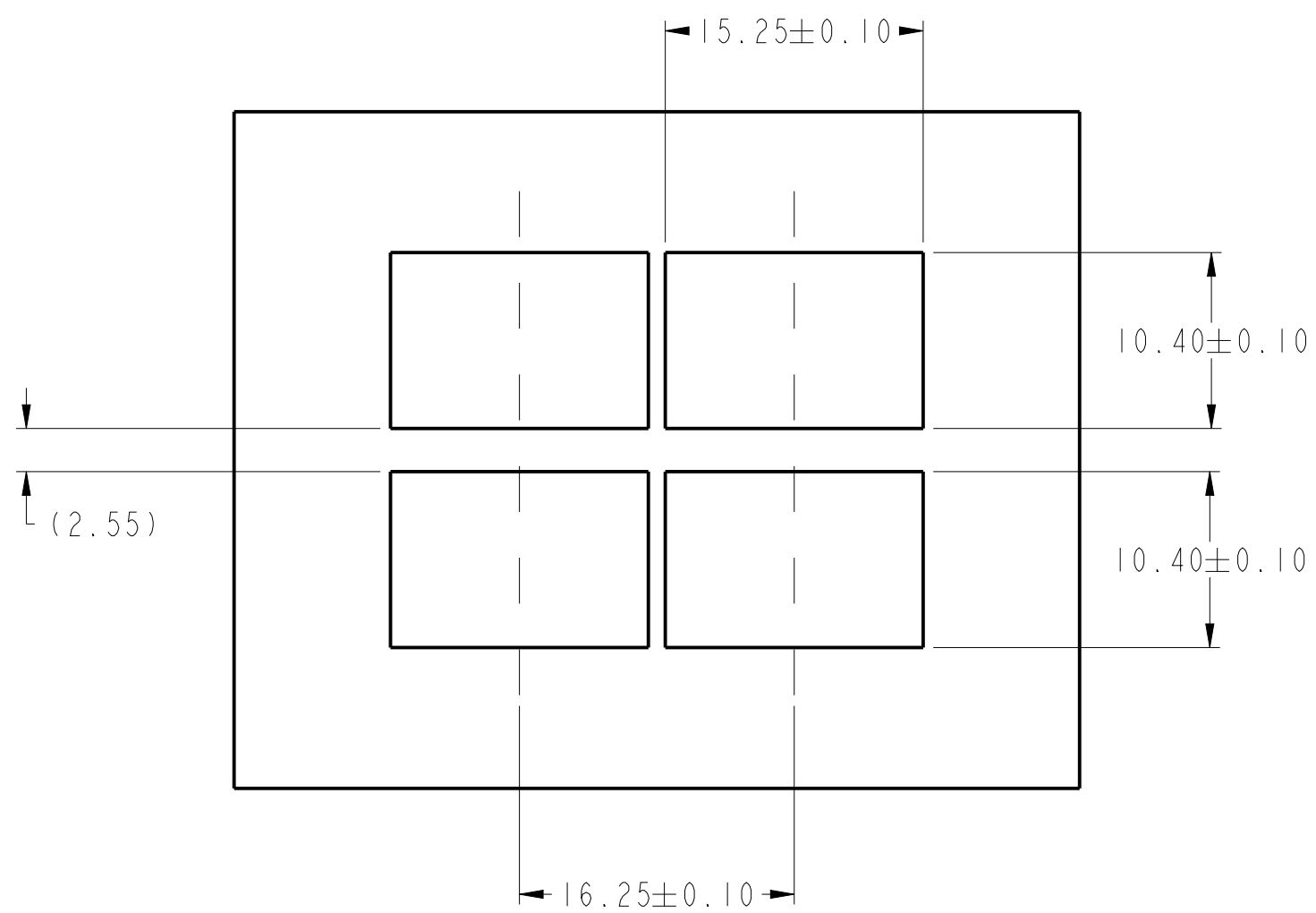
Copyright FCI. FCI

spec ref	RELEASE	dr	ART LIN	2014-03-20	projection	MM	size	A2	scale	4:1
tolerance std	ASME Y14.5	eng	COLLINS LU	2014-03-21			ecn no			
	TOLERANCES UNLESS OTHERWISE SPECIFIED	appr	JEFFREY QIN	2014-03-21	product family		rel level	Released		
surface	ISO 1302	linear	0.X	±0.25			title	SFP+ IXI Cage	dwg no	10122382
			0.XX	±0.15	www.fci.com		EMI SPRING TYPE		rev	C
		angular	0°	±2°	cat. no.			Product - Customer Drw	sheet	5 of 6

BEZEL AND BOARD POSITION DIMENSIONS FOR SINGLE SIDE MOUNTING
(EMI SPRING FINGER)



10122382-302LF/402LF
BEZEL AND BOARD POSITION DIMENSIONS FOR BELLY TO BELLY MOUNTING
(EMI SPRING FINGER)



Copyright FCI.

spec ref	RELEASE	dr	ART LIN	2014-03-20	projection	MM	size	A2	scale	5:2								
tolerance std	TOLERANCES UNLESS OTHERWISE SPECIFIED	eng					ecn no											
ISO 406		chr	COLLINS LU	2014-03-21			rel level	Released										
ISO 1101		appr	JEFFREY QIN	2014-03-21	product family		rel level	Released										
surface	<table border="1"> <tr> <td>linear</td> <td>0.X</td> <td>±0.25</td> </tr> <tr> <td></td> <td>0.XX</td> <td>±0.15</td> </tr> <tr> <td></td> <td>0.XXX</td> <td>±-</td> </tr> <tr> <td>angular</td> <td>0°</td> <td>±2°</td> </tr> </table>	linear	0.X	±0.25		0.XX	±0.15		0.XXX	±-	angular	0°	±2°		SFP+ IXI Cage EMI SPRING TYPE		dwg no 10122382	rev C
linear	0.X	±0.25																
	0.XX	±0.15																
	0.XXX	±-																
angular	0°	±2°																
ISO 1302		www.fci.com	cat. no.		Product - Customer Drw		sheet 6 of 6											

X-ON Electronics

Largest Supplier of Electrical and Electronic Components

Click to view similar products for [I/O Connectors](#) category:

Click to view products by [Amphenol](#) manufacturer:

Other Similar products are found below :

[571763P](#) [58098-0628](#) [72.250.1628.2](#) [72.250.2428.2](#) [74720-0505](#) [76.350.0729.0](#) [76871-1403](#) [FCN-244F080-G/1](#) [FCN-260A9920](#) [MP-5T180MUNNA-005](#) [PCR-E36PM](#) [PCS-XE26MA+](#) [G38A71314B](#) [1571250010](#) [157-22500-3](#) [MS3471L14-19P L/C](#) [192991-0703](#) [172501-4002](#) [172501-6002](#) [FCN-260C008-A/L0](#) [FCN-260C024-AL0](#) [FCN-261Z008](#) [2000314-1](#) [200331-1](#) [PCR-E36FC+](#) [PCS-E28FS+](#) [PCS-XE26SLFD+](#) [PCS-XE26SLFDT+](#) [G730VID08BDC24](#) [U90B2054081210](#) [UE86K842720321](#) [38113800006](#) [DP3AR020WQ1R200](#) [Z4.102.0680.0](#) [500-1040](#) [500-1052](#) [500-1054](#) [ZP-4008-66L](#) [0709821002](#) [DX40-20P\(55\)](#) [5554841-1](#) [MS3474W18-8P-LC*](#) [U90B3054061110](#) [U65-E04-4020](#) [ZPF000000000097891](#) [557-262M2-06C](#) [747360449](#) [10099439-003C-TRLF](#) [10137239-0021LF](#) [E9320-001-01](#)