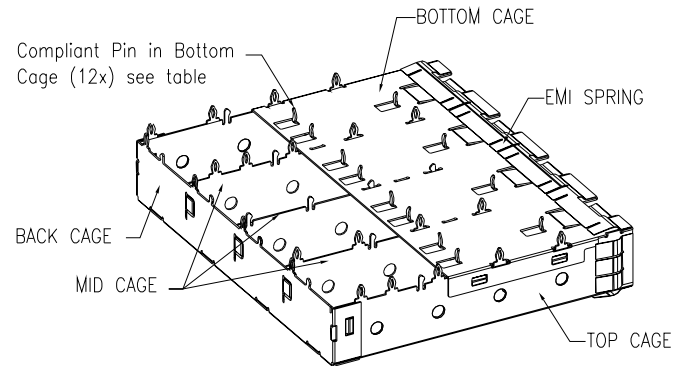
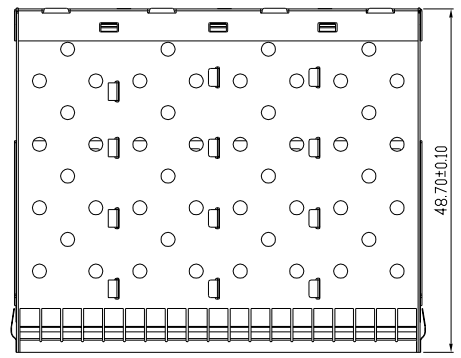


1 2 3 4

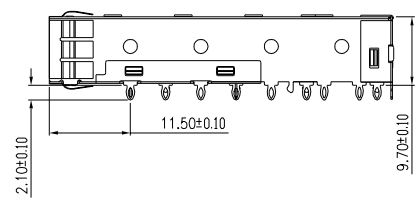
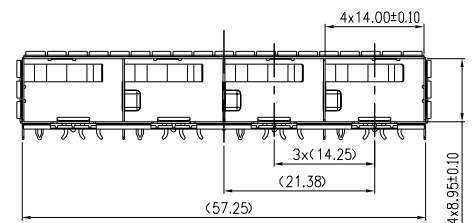
Product Number	Compliant Pin	Packaging
10122388-101LF	12 Places	Tray

A

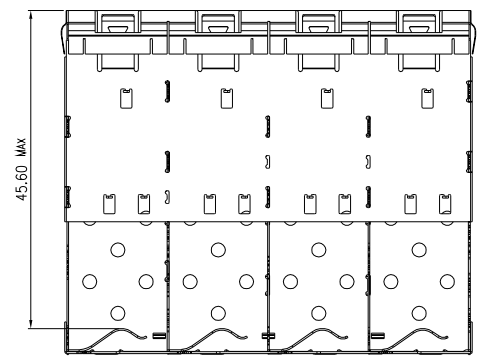


3D VIEW
SCALE 1:1

B



C



NOTES:

- | | | | |
|----------------|------|----------------------------|------------|
| 1, DESCRIPTION | Q'ty | MATERIAL | PLATING |
| TOP CAGE | 1PCS | NICKEL SILVER ALLOY T=0.25 | NO PLATING |
| BOTTOM CAGE | 1PCS | NICKEL SILVER ALLOY T=0.25 | NO PLATING |
| MID CAGE | 3PCS | NICKEL SILVER ALLOY T=0.25 | NO PLATING |
| BACK CAGE | 1PCS | NICKEL SILVER ALLOY T=0.25 | NO PLATING |
| EMI SPRING | N/A | COPPER ALLOY T=0.08 | Ni PLATED |
- 2, PRODUCT SPECIFICATION: GS-12-1165
 3, APPLICATION SPECIFICATION: GS-20-0384
 4, PACKAGE PER GS-14-2344 AND GS-14-920

A

B

C



Copyright FCI.

D

spec ref	RELEASE	dr	Art Lin	2014-01-09	projection	size	scale
tolerance std	TOLERANCES UNLESS OTHERWISE SPECIFIED	eng	Zhen Luo	2014-01-09		A4	1:1
ISO406		chr	Collins Lu	2014-01-10		ecn no	
ISO1101		appr	JEFFREY QIN	2014-01-10	product family	SFP+	rel level
surface			title		dwg no	10122388	rev
ISO1302			linear	SFP+ 1X4 CAGE EMI SPRING TYPE PRESS FIT			
	angular	www.fci.com	cat. no.	-	Product-Customer Drw	sheet 1 of 5	

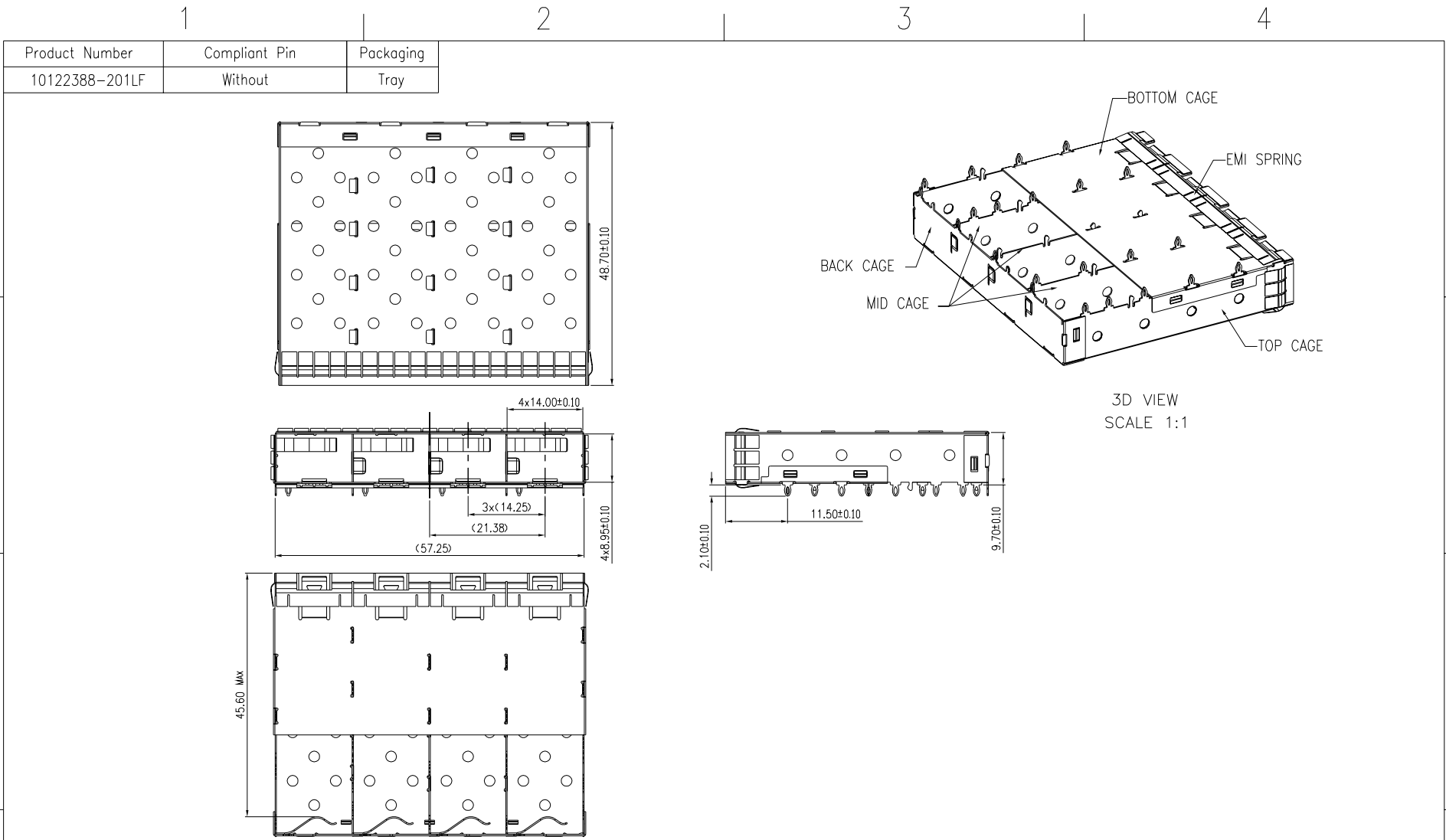
Proj/E File - REV C - 2009-06-09

1

2

3

4



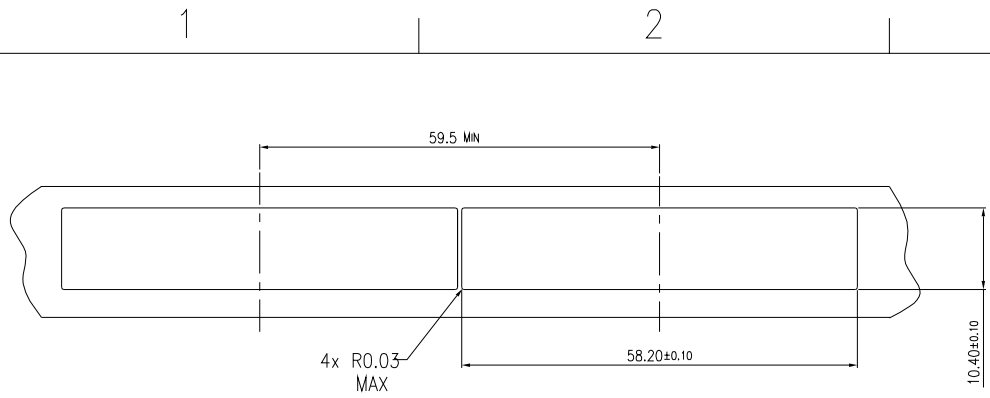
Product Number	Compliant Pin	Packaging
10122388-201LF	Without	Tray

spec ref	RELEASE			dr	Art Lin	2014-01-09	projection	MM	size	scale	
tolerance std	TOLERANCES UNLESS OTHERWISE SPECIFIED			eng	Zhen Luo	2014-01-09			A4	1:1	
ISO406				chr	Collins Lu	2014-01-10	product family	SFP+	ecn no		
ISO1101				apppr		JEFFREY QIN			2014-01-10	rel level	Released
surface	linear	0.X	±0.25	FCI	title	SFP+ 1X4 CAGE EMI SPRING TYPE PRESS FIT		dwg no	10122388		rev
		0.XX	±0.20								
0.XXX	±0.15										
ISO1302	angular	0°	±0.5°	www.fci.com	cat. no.	-	Product-Customer Drw	sheet 2 of 5			

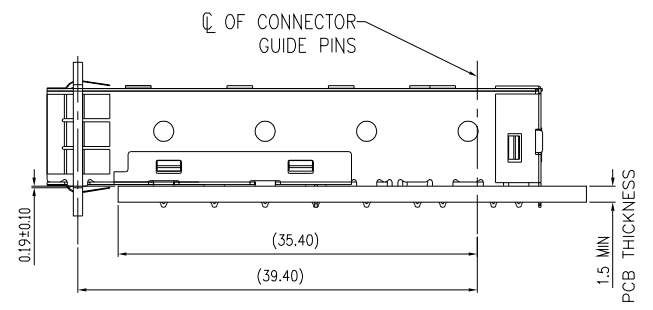
Proj/E File - REV C - 2009-06-09



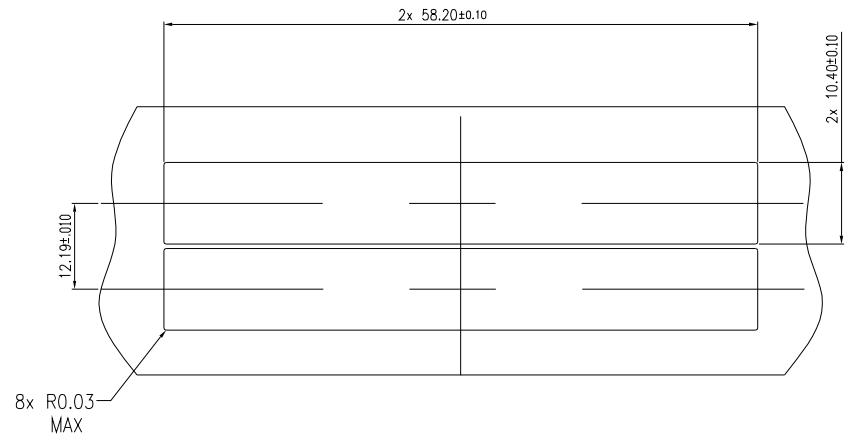
Copyright FCI.



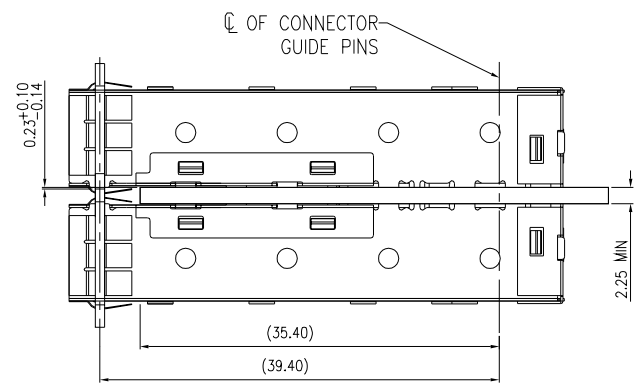
RECOMMENDED BEZEL CUT-OUT SINGLE SIDED APPLICATIONS



MOUNTED ON PC BOARD SHOWN THRU RECOMMENDED BEZEL



RECOMMENDED BEZEL CUT-OUT BELLY TO BELLY APPLICATIONS



MOUNTED BELLY TO BELLY ON PC BOARD SHOWN THRU RECOMMENDED BEZEL

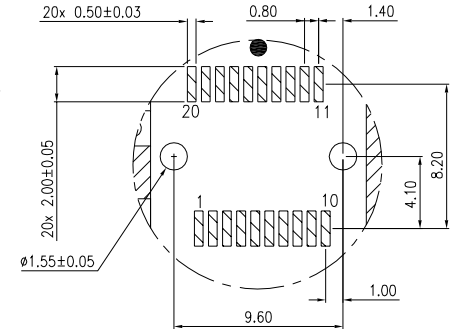
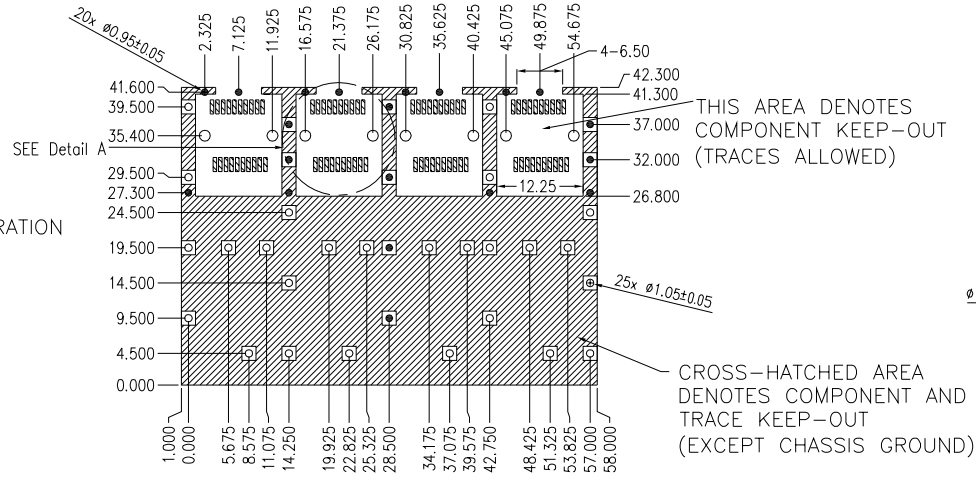


Copyright FCI.

spec ref	RELEASE			dr	Art Lin	2014-01-09	projection	MM	size	scale	
tolerance std	TOLERANCES UNLESS OTHERWISE SPECIFIED			eng	Zhen Luo	2014-01-09			A4	1:1	
ISO406				chr	Collins Lu	2014-	ecn no		rel level		
ISO1101				appr	JEFFREY QIN	product family		SFP+			
surface	linear	0.X	±0.25	FCI	title	SFP+ 1X4 CAGE EMI SPRING TYPE PRESS FIT		dwg no	10122388		rev
		0.XX	±0.20								
0.XXX	±0.15										
ISO1302	angular	0°	±0.5°	www.fci.com	cat. no.	-	Product-Customer Drw		sheet 3 of 5		

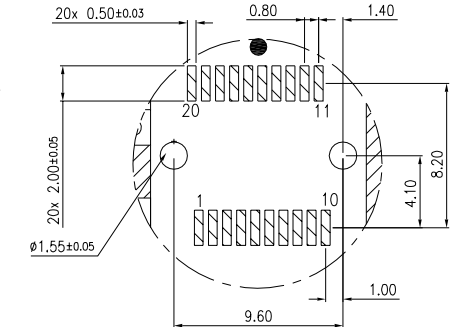
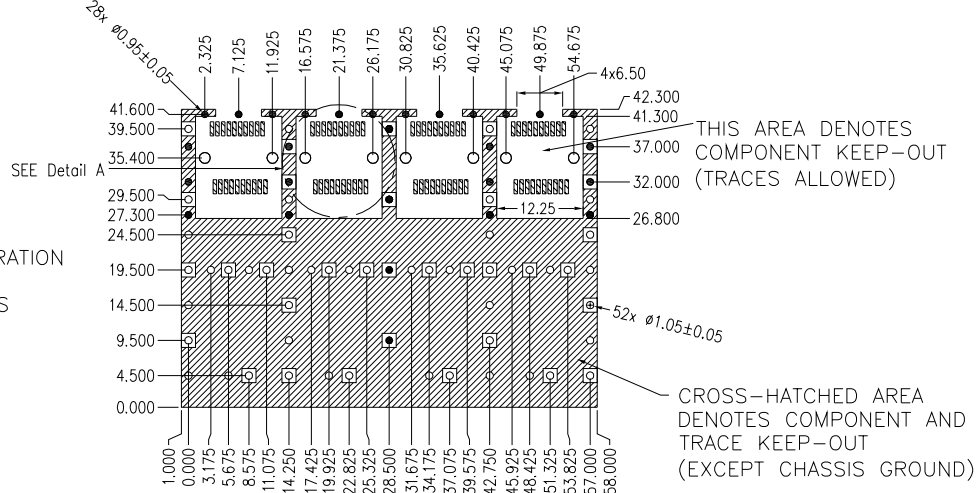
Pro/E File - REV C - 2009-06-09

10122388-101LF
RECOMMENDED PCB CONFIGURATION
WITH KEEP-OUT AREAS
SINGLE SIDED APPLICATIONS



Detail A
SCALE 2.5:1

10122388-101LF
RECOMMENDED PCB CONFIGURATION
WITH KEEP-OUT AREAS
BELLY TO BELLY APPLICATIONS



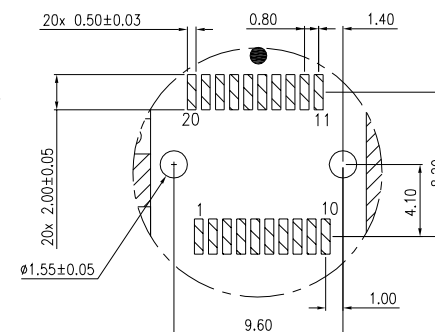
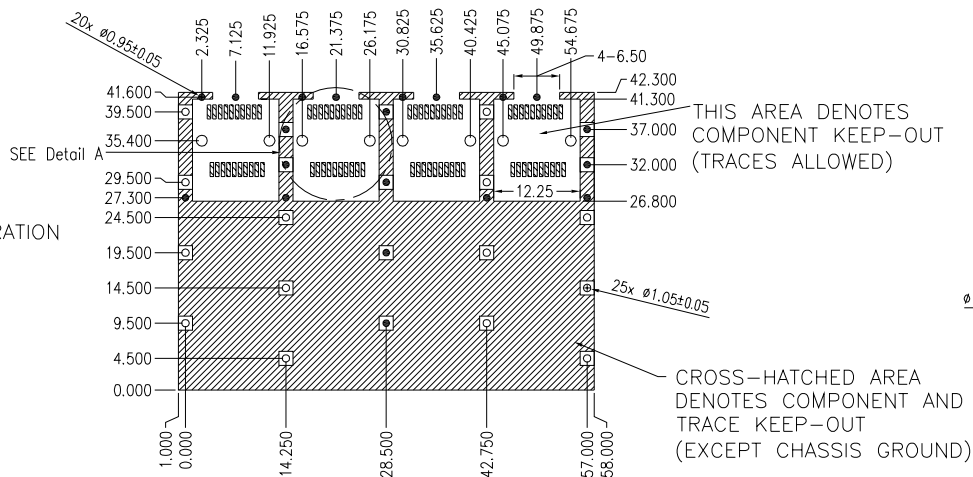
Detail A
SCALE 2.5:1



Copyright FCI.

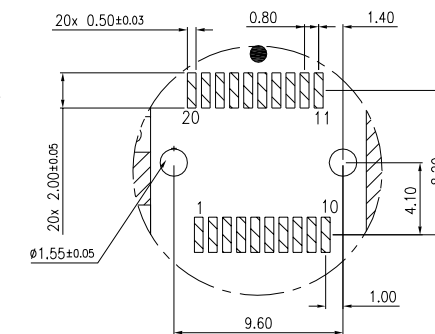
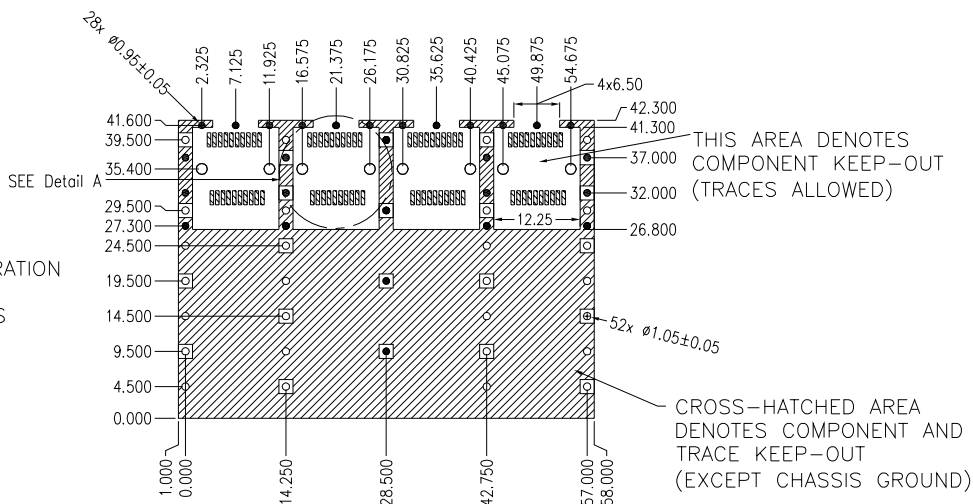
spec ref	RELEASE			dr	Art Lin	2014-01-09	projection	size	scale	
tolerance std	TOLERANCES UNLESS OTHERWISE SPECIFIED			eng	Zhen Luo	2014-01-09		A4	1:1	
ISO406				chr	Collins Lu	2014-01-10			ecn no	
ISO1101	appr	JEFFREY QIN	2014-01-10	product family	SFP+	rel level	Released			
surface	linear	0.X	±0.25		title	SFP+ 1X4 CAGE EMI SPRING TYPE PRESS FIT		dwg no	10122388	rev
ISO1302		0.XX	±0.20							
	0.XXX	±0.15								
	angular	0°	±0.5°	www.fci.com	cat. no.	-	Product-Customer Drw	sheet 4 of 5		

10122388-201LF
RECOMMENDED PCB CONFIGURATION
WITH KEEP-OUT AREAS
SINGLE SIDED APPLICATIONS



Detail A
SCALE 2.5:1

10122388-201LF
RECOMMENDED PCB CONFIGURATION
WITH KEEP-OUT AREAS
BELLY TO BELLY APPLICATIONS



Detail A
SCALE 2.5:1



Copyright FCI.

spec ref	RELEASE			dr	Art Lin	2014-01-09	projection	size	scale	
tolerance std	TOLERANCES UNLESS OTHERWISE SPECIFIED			eng	Zhen Luo	2014-01-09		A4	1:1	
ISO406				chr	Collins Lu	2014-01-10		ecn no		
ISO1101				appr	JEFFREY QIN	2014-01-10	product family	SFP+	rel level	Released
surface		linear	0.X	±0.25		title SFP+ 1X4 CAGE EMI SPRING TYPE PRESS FIT	dwg no 10122388	rev C		
				0.XX					±0.20	
				0.XXX						
ISO1302		angular	0°	±0.5°	www.fci.com	cat. no.	-	Product-Customer Drw	sheet 5 of 5	

Pro/E File - REV C - 2009-06-09

X-ON Electronics

Largest Supplier of Electrical and Electronic Components

Click to view similar products for [I/O Connectors](#) category:

Click to view products by [Amphenol](#) manufacturer:

Other Similar products are found below :

[571763P](#) [58098-0628](#) [72.250.1628.2](#) [72.250.2428.2](#) [74720-0505](#) [76.350.0729.0](#) [76871-1403](#) [FCN-244F080-G/1](#) [FCN-260A9920](#) [PCR-E36PM](#) [PCS-XE26MA+](#) [G38A71314B](#) [1571250010](#) [157-22500-3](#) [MS3471L14-19P L/C](#) [192991-0703](#) [172501-4002](#) [172501-6002](#) [FCN-260C008-A/L0](#) [FCN-260C024-AL0](#) [FCN-261Z008](#) [2000314-1](#) [200331-1](#) [PCR-E36FC+](#) [PCS-E28FS+](#) [PCS-XE26SLFD+](#) [PCS-XE26SLFDT+](#) [G730VID08BDC24](#) [HDR-E14MSG1+](#) [U90B2054081210](#) [UE86K842720321](#) [38113800006](#) [DP3AR020WQ1R200](#) [Z4.102.0680.0](#) [500-1040](#) [500-1052](#) [500-1054](#) [ZP-4008-66L](#) [0709821002](#) [DX40-20P\(55\)](#) [5554841-1](#) [MS3474W18-8P-LC*](#) [SM3106F14S-7S-LC](#) [U90B3054061110](#) [U65-E04-4020](#) [ZPF000000000097891](#) [557-262M2-06C](#) [747360449](#) [10099439-003C-TRLF](#) [10137239-0021LF](#)