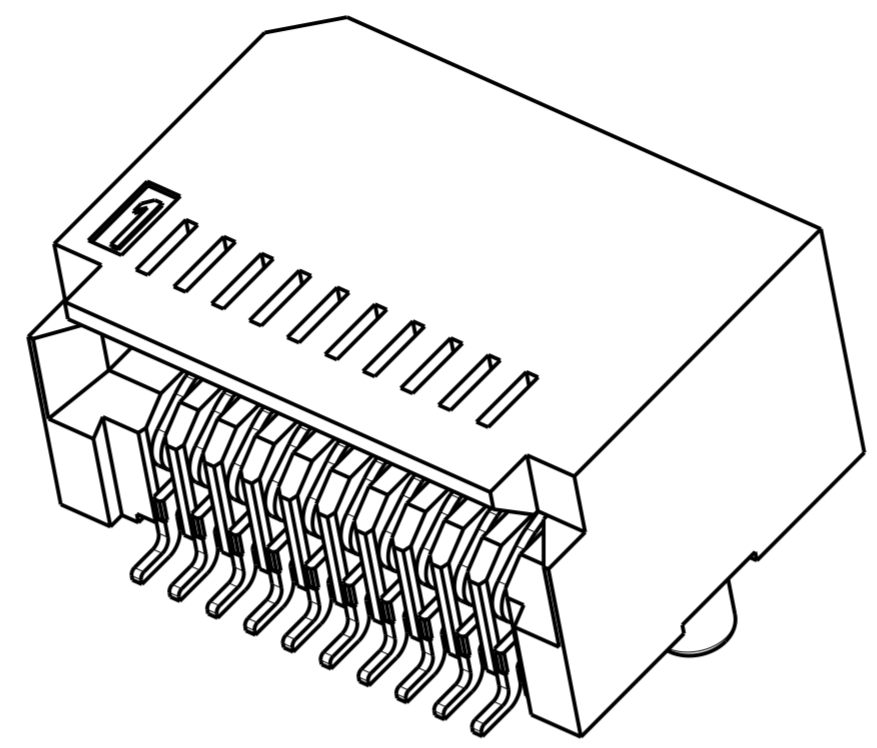
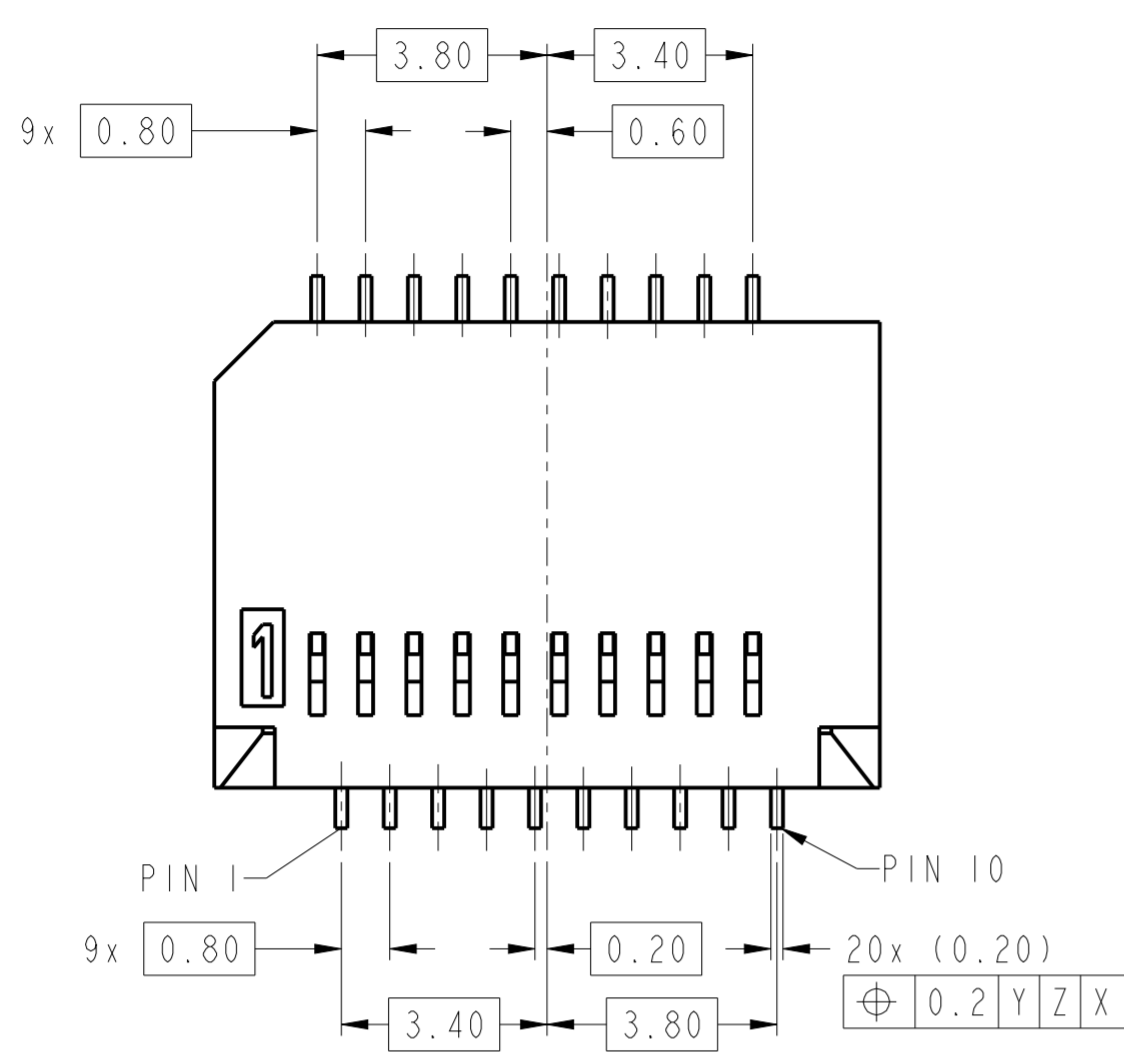


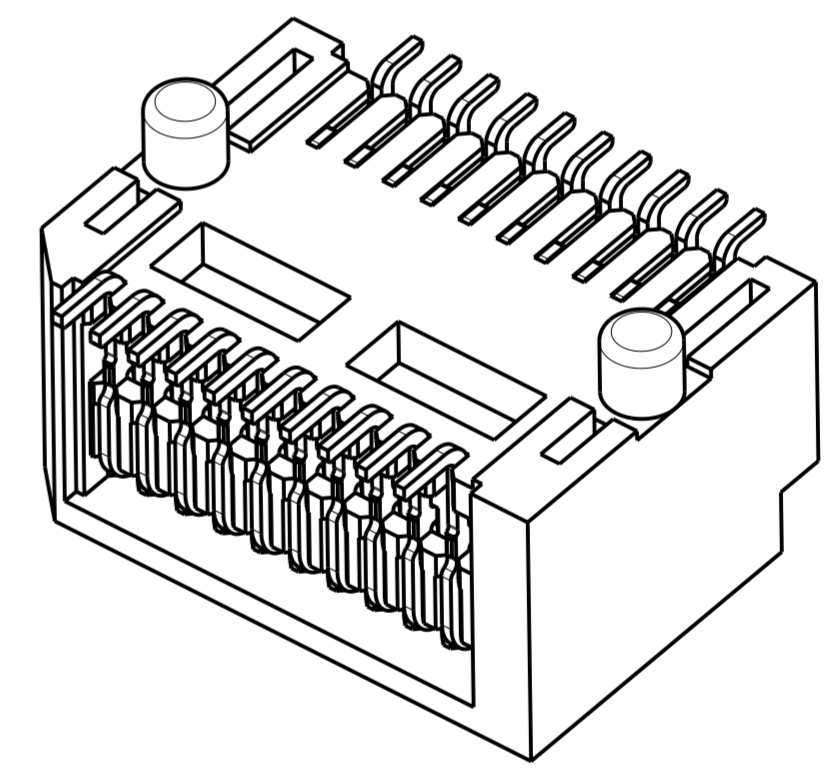
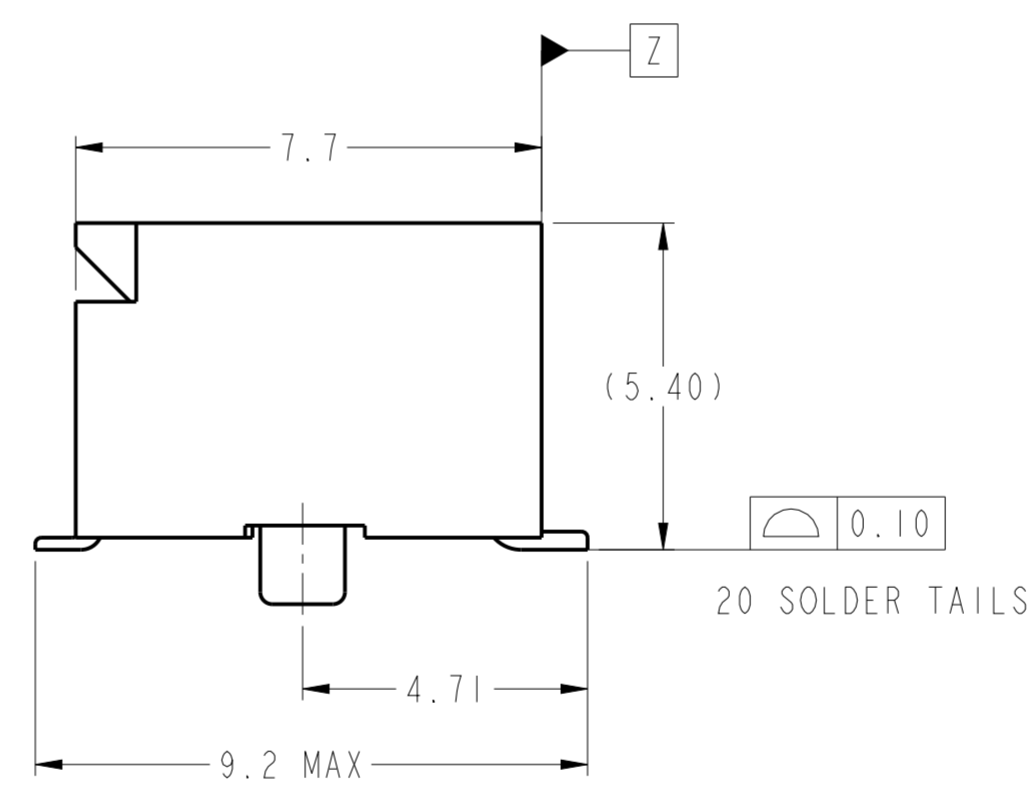
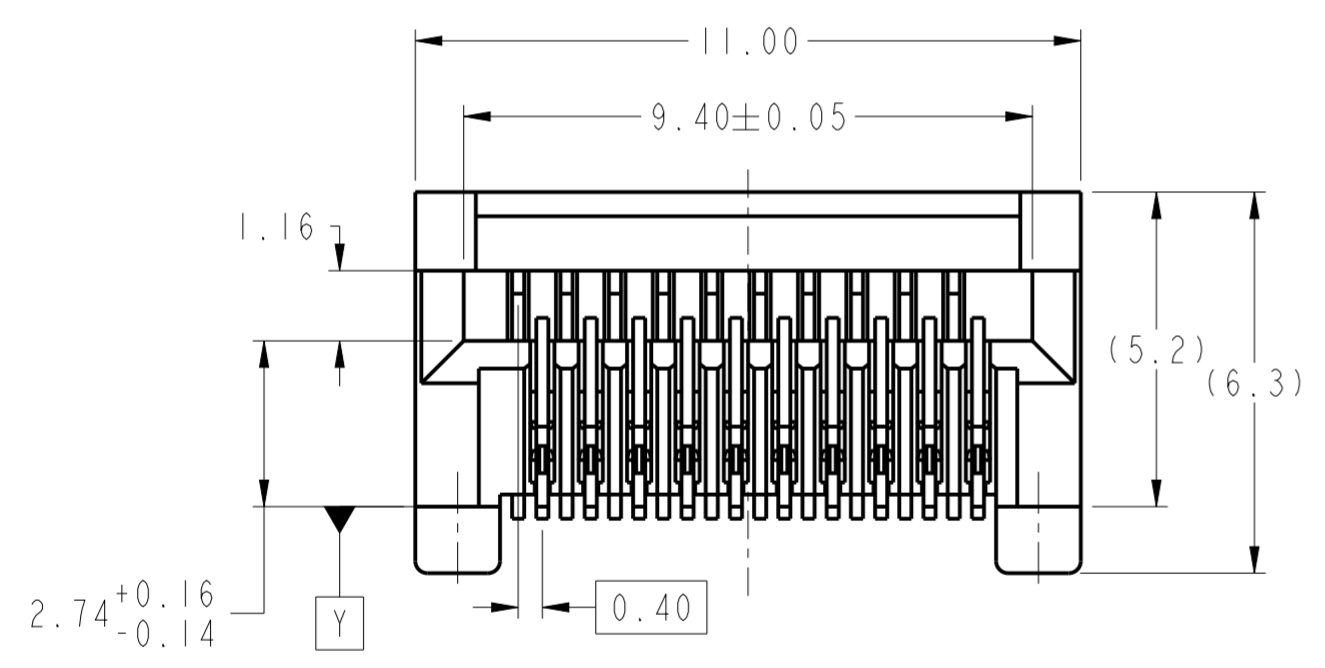
PRODUCT NUMBER	CONTACT AREA PLATING	PACKAGING
10122424-101LF	0.76µm Au	TAPE & REEL
10122424-901LF	0.38µm GXT	TAPE & REEL

NOTES:

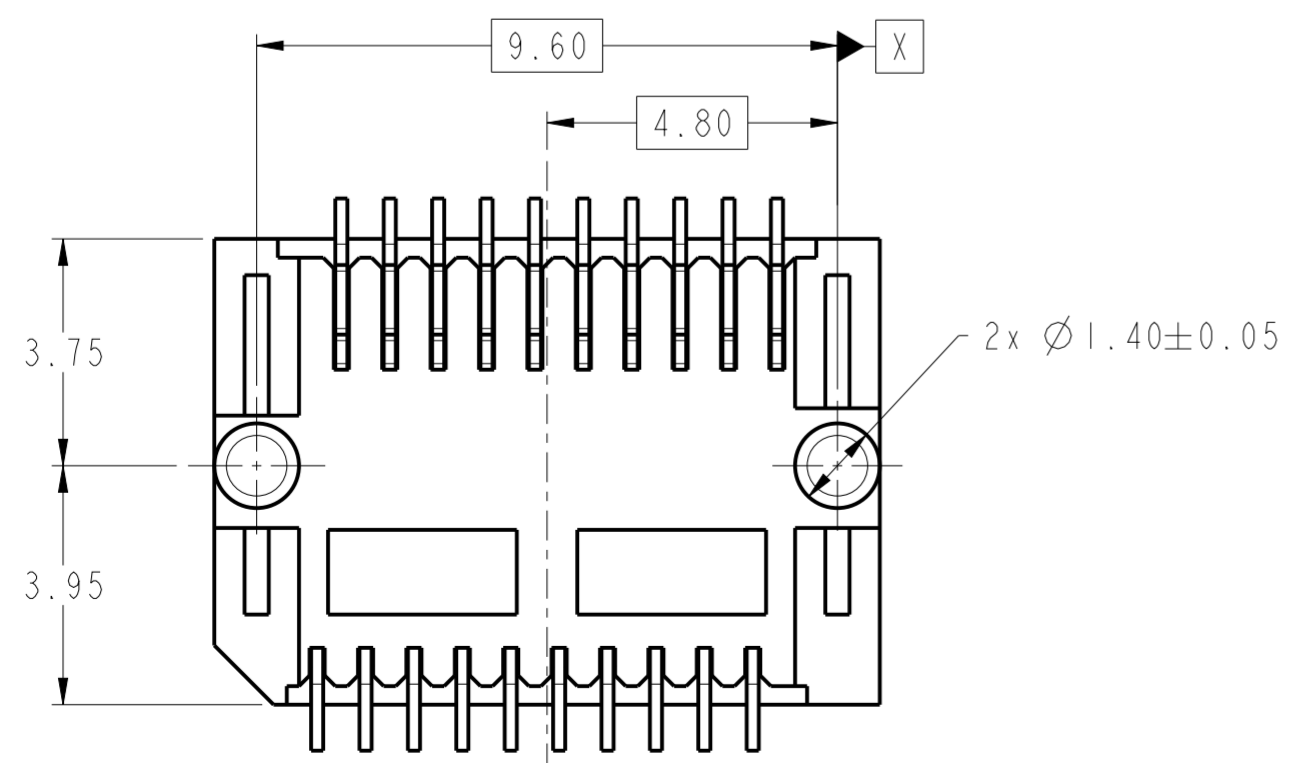
- MATERIAL:
HOUSING: HIGH PERFORMANCE RESINS, BLACK.
CONTACT: COPPER ALLOY.
- PLATING:
UNDERPLATE: 1.27µm MIN NICKEL OVER ALL
SOLDER AREA: 2.54µm MIN TIN (LEAD FREE)
MATING AREA: SEE PRODUCT NUMBER TABLE.
- DESIGNED TO CONFORM WITH SFP+ MSA SPECIFICATION.
- PRODUCT SPECIFICATION: GS-12-1141
- APPLICATION SPECIFICATION: GS-20-0385.
- PACKAGE SPECIFICATION: GS-14-2372
- PRODUCT MEETS EUROPEAN UNION DIRECTIVES AND OTHER COUNTRY REGULATIONS AS DESCRIBED IN GS-22-008.



10122424-101LF/901LF 3D VIEW
SCALE 8:1



10122424-101LF/901LF 3D VIEW
SCALE 8:1

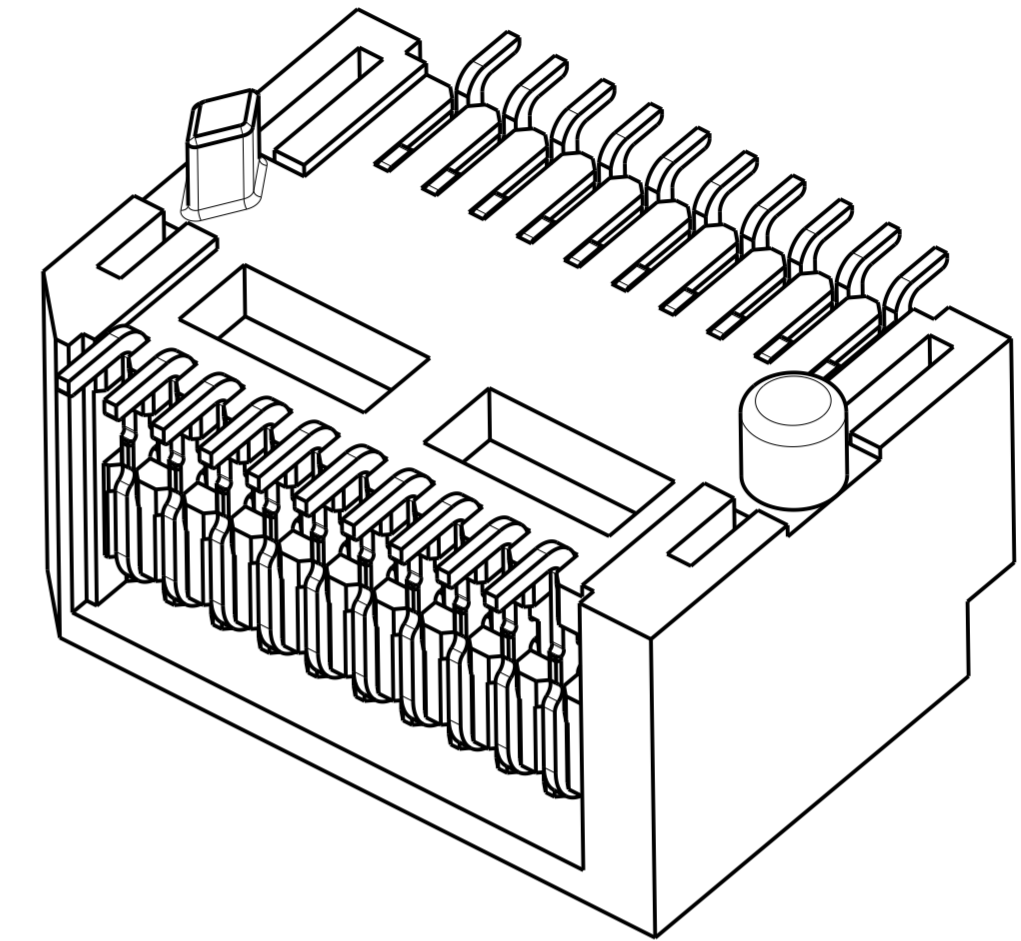
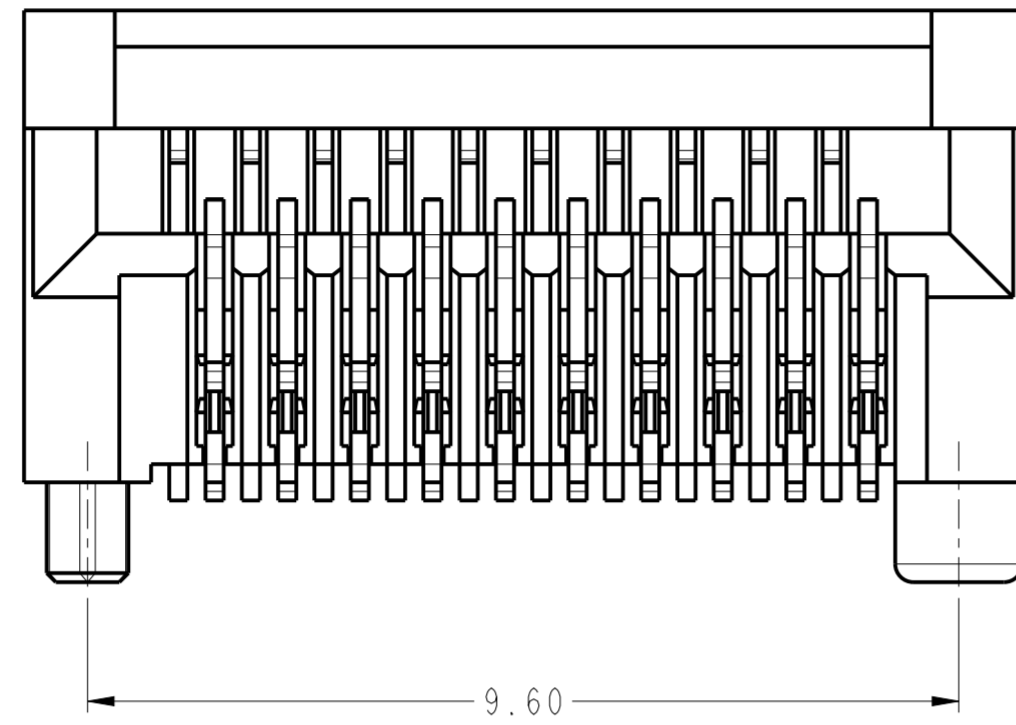


spec ref	-	dr	Zhen Luo	2013/09/30	projection	MM	size	A2	scale	1:1	
tolerance std	ISO 406 ISO 1101	eng	Art Lin	2016/07/05			ecn no	ELX-DG-23846-1			
TOLERANCES UNLESS OTHERWISE SPECIFIED		chr	Zhen Luo	2016/07/21				rel level	Released		
surface	ISO 1302	appr	Pei-Ming Zheng	2016/07/21	product family						
linear	0.X ±0.25 0.XX ±0.15 0.XXX ±0.05	Amphenol FCI SFP+ BOARD CONNECTOR SMT TYPE www.fci.com		cat. no.	Product - Customer Drw		dwg no	10122424		rev	F
angular	0° ±2°									sheet 1 of 3	

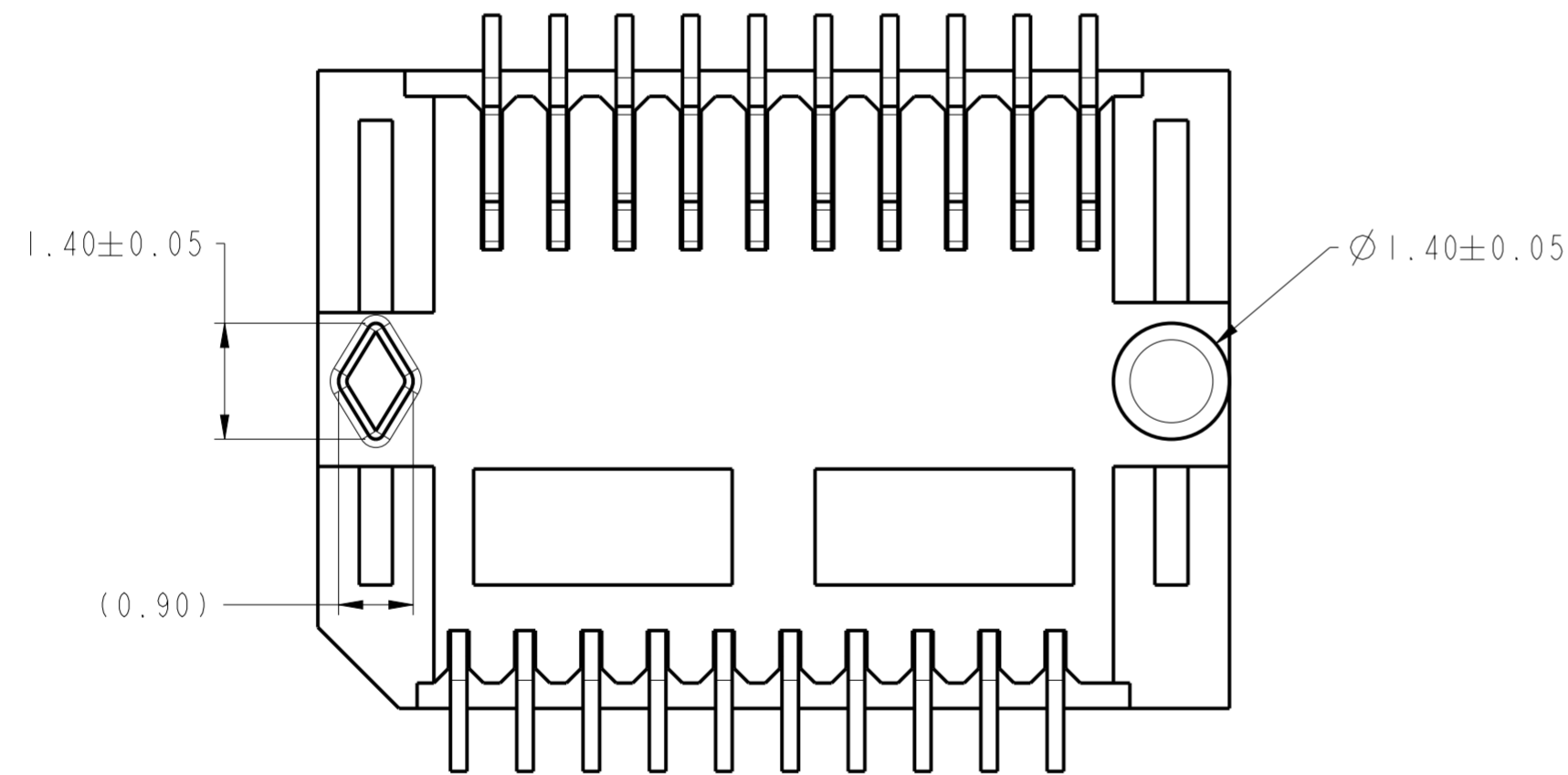
Amphenol FCI

© 2016 APCI

PRODUCT NUMBER	CONTACT AREA PLATING	PACKAGING
10122424-111LF	0.76µm Au	TAPE & REEL
10122424-911LF	0.38µm GXT	TAPE & REEL
10122424-112LF	0.76µm Au	ESD PACKING: TAPE & REEL with Custom Label on Reel



10122424-111LF/112LF/911LF 3D VIEW
SCALE 10:1



THE OTHER DIMENSIONS OF 10122424-111LF/112LF/911LF ARE SAME TO 10122424-101LF/901LF

Amphenol
FCi

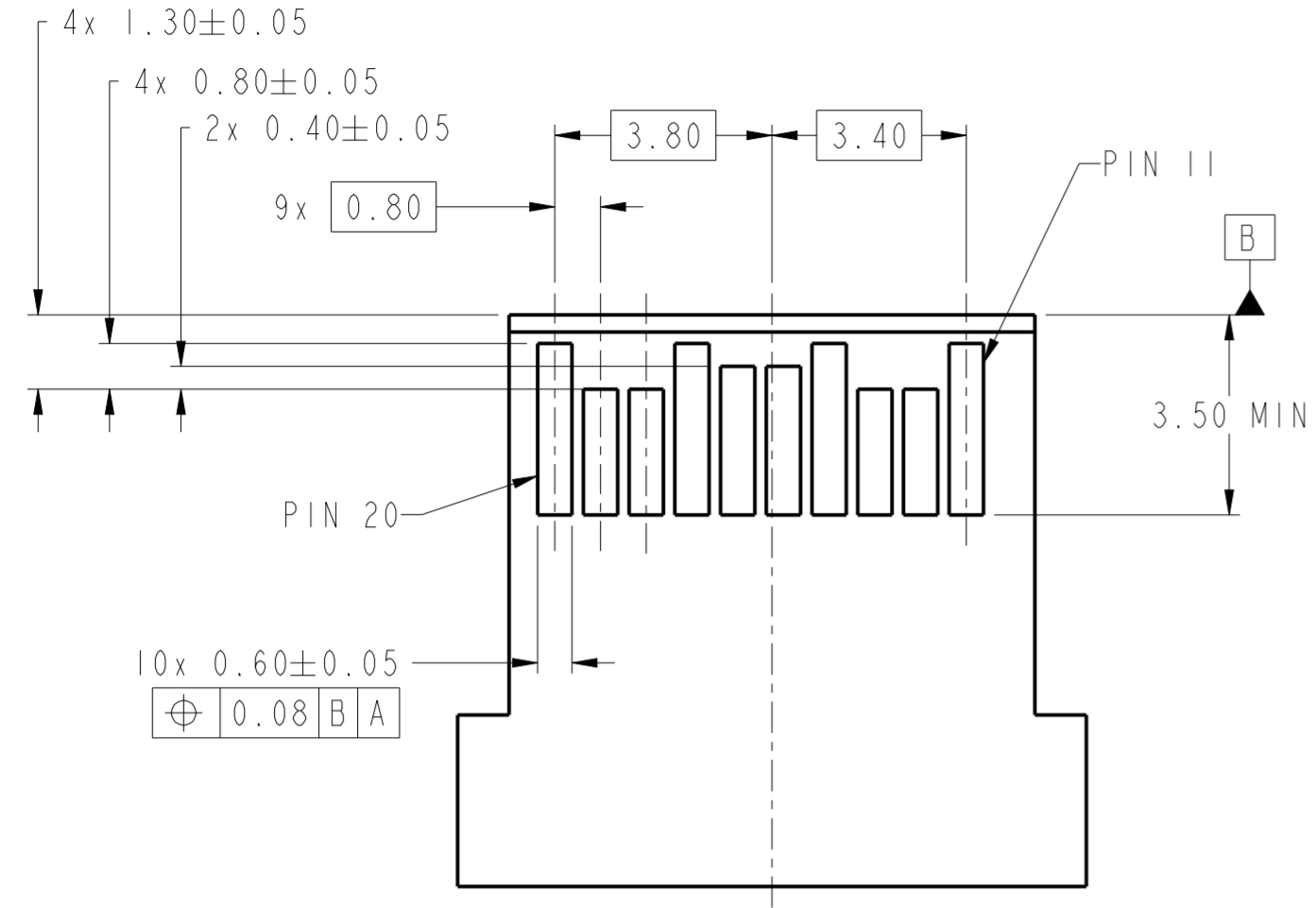
© 2016 AFci

spec ref	-	dr	Zhen Luo	2013/09/30	projection	MM	size	A2	scale	8:1
tolerance std	ISO 406 ISO 1101	eng	Art Lin	2016/07/05			ecn no	ELX-DG-23846-1		
TOLERANCES UNLESS OTHERWISE SPECIFIED		chr	Zhen Luo	2016/07/21			rel level	Released		
surface	ISO 1302	appr	Pei-Ming Zheng	2016/07/21	product family					
linear	0.X ±0.25 0.XX ±0.15 0.XXX ±0.05	Amphenol FCi		SFP+ BOARD CONNECTOR		dwg no	10122424		rev	F
angular	0° ±2°	www.fci.com		SMT TYPE		Product - Customer Drw		sheet 2 of 3		

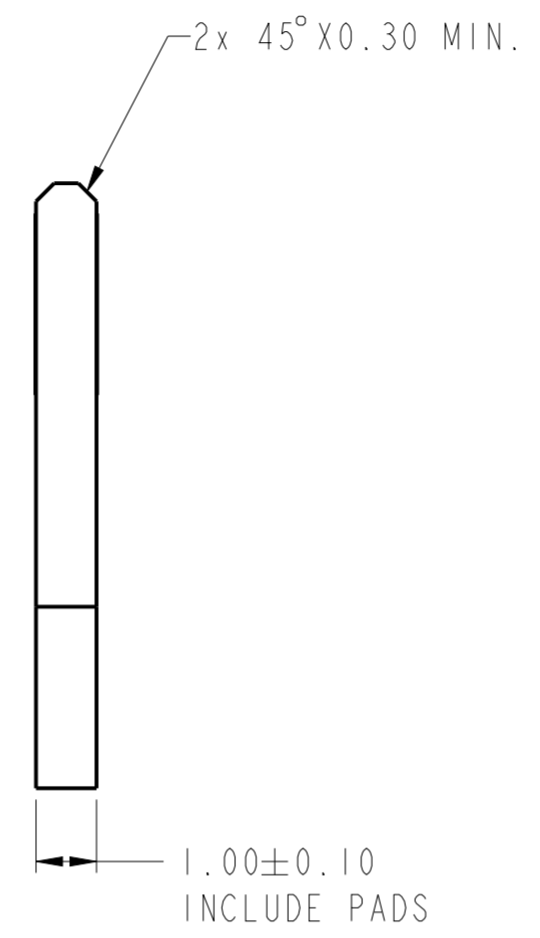
PDS: Rev :F

STATUS:Released

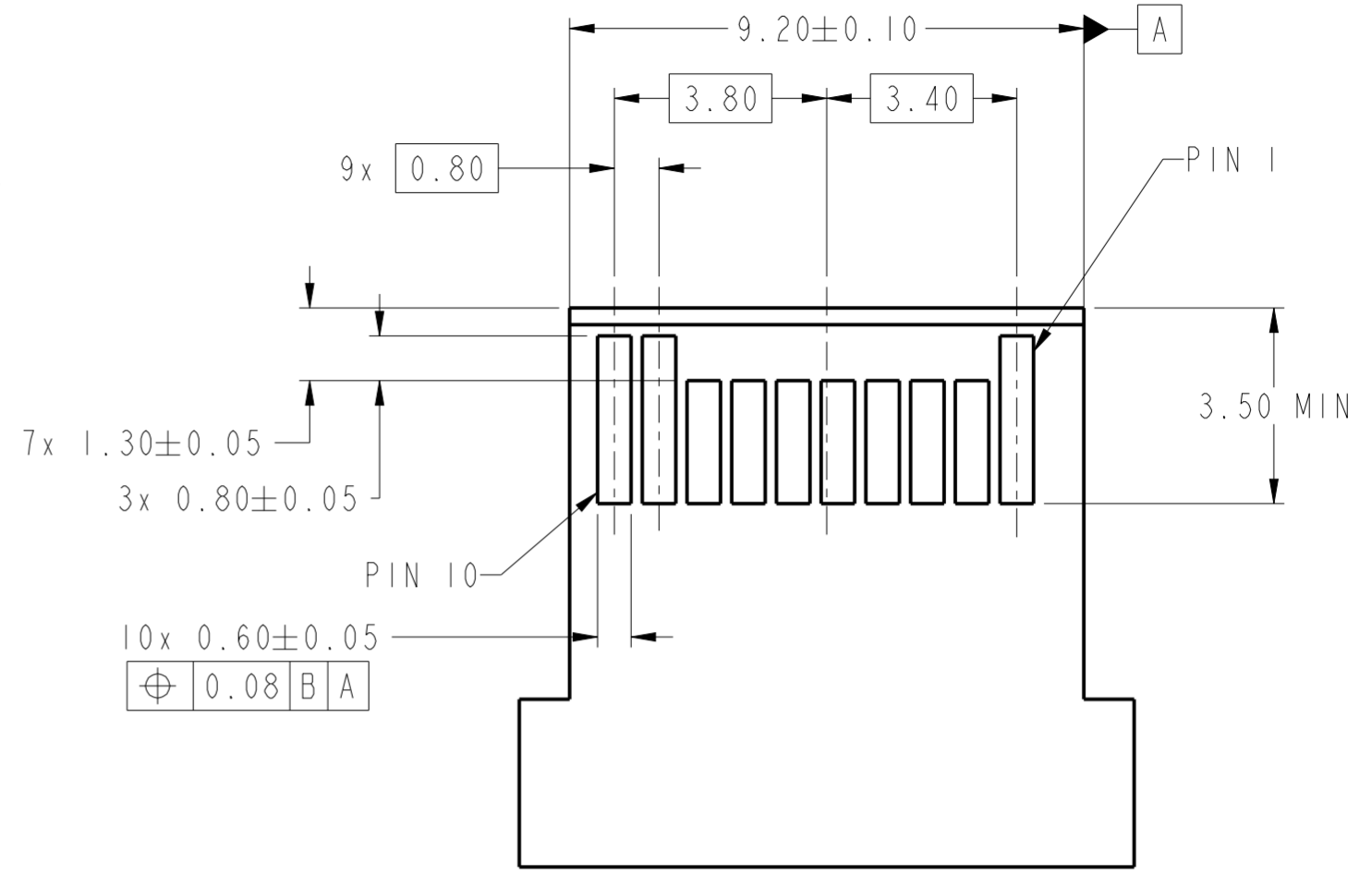
Printed: Aug 03, 2016



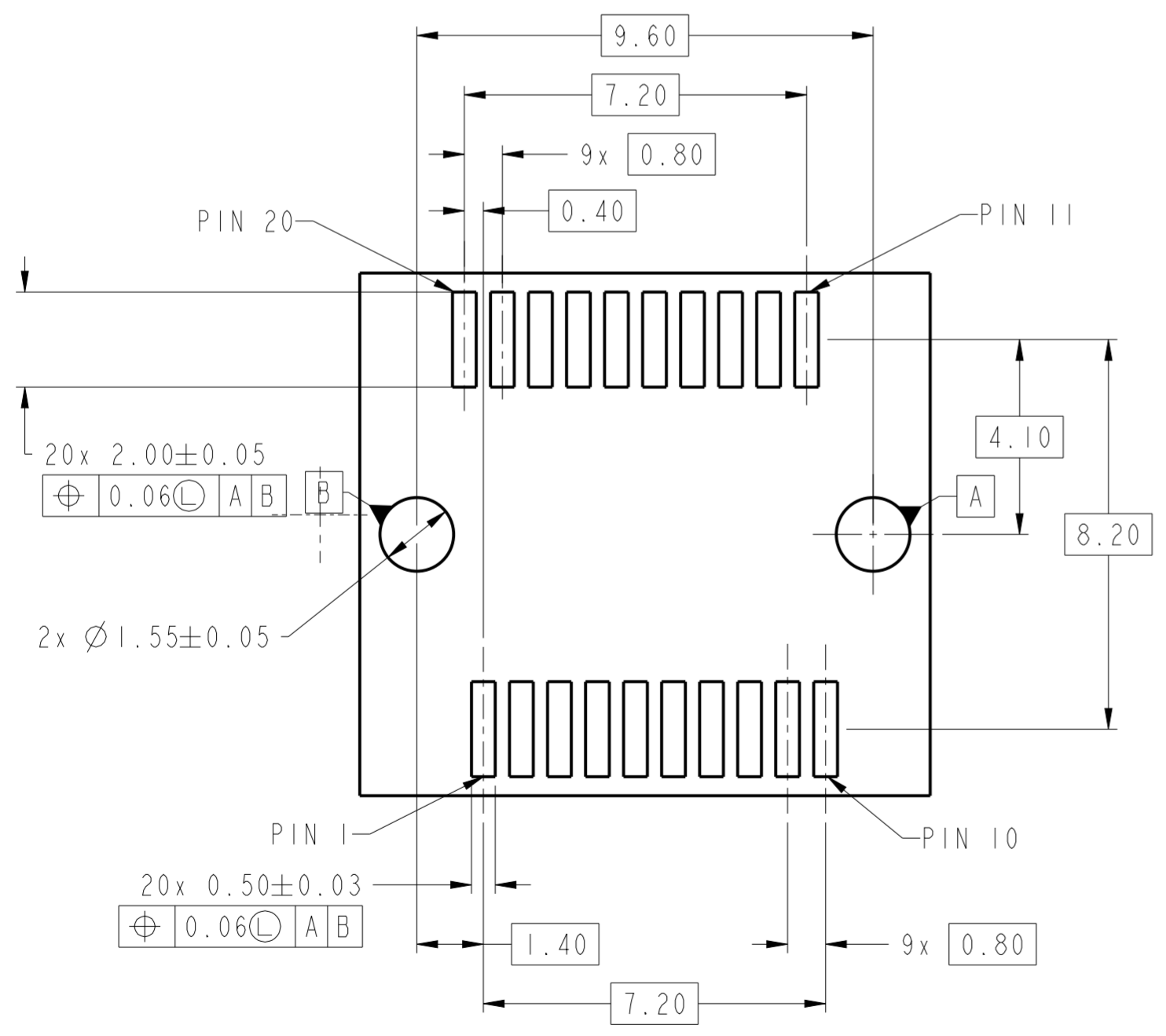
TOP VIEW OF BOARD



RECOMMENDED PCB LAYOUT
MATING PCB SIDE



BOTTOM VIEW OF BOARD



RECOMMENDED PCB LAYOUT
CONNECTOR MOUNTING SIDE

spec ref	-	dr	Zhen Luo	2013/09/30	projection	MM	size	A2	scale	8:1
tolerance std	ISO 406 ISO 1101	eng	Art Lin	2016/07/05			ecn no	ELX-DG-23846-1		
TOLERANCES UNLESS OTHERWISE SPECIFIED		chr	Zhen Luo	2016/07/21			rel level	Released		
surface	ISO 1302	appr	Pei-Ming Zheng	2016/07/21	product family	SFP+ BOARD CONNECTOR		cat. no.	10122424	
	linear	Amphenol FCI		SMT TYPE		dwg no	10122424		rev	F
	angular	www.fci.com		Product - Customer Drw		sheet 3 of 3				

Amphenol FCI

© 2016 APCI

X-ON Electronics

Largest Supplier of Electrical and Electronic Components

Click to view similar products for [I/O Connectors](#) category:

Click to view products by [Amphenol](#) manufacturer:

Other Similar products are found below :

[571763P](#) [58098-0628](#) [72.250.1628.2](#) [72.250.2428.2](#) [74720-0505](#) [76.350.0729.0](#) [76871-1403](#) [FCN-244F080-G/1](#) [FCN-260A9920](#) [PCR-E36PM](#) [PCS-XE26MA+](#) [G38A71314B](#) [1571250010](#) [157-22500-3](#) [MS3471L14-19P L/C](#) [192991-0703](#) [172501-4002](#) [172501-6002](#) [FCN-260C008-A/L0](#) [FCN-260C024-AL0](#) [FCN-261Z008](#) [2000314-1](#) [200331-1](#) [PCR-E36FC+](#) [PCS-E28FS+](#) [PCS-XE26SLFD+](#) [PCS-XE26SLFDT+](#) [G730VID08BDC24](#) [HDR-E14MSG1+](#) [U90B2054081210](#) [UE86K842720321](#) [38113800006](#) [DP3AR020WQ1R200](#) [Z4.102.0680.0](#) [500-1040](#) [500-1052](#) [500-1054](#) [ZP-4008-66L](#) [0709821002](#) [DX40-20P\(55\)](#) [5554841-1](#) [MS3474W18-8P-LC*](#) [SM3106F14S-7S-LC](#) [U90B3054061110](#) [U65-E04-4020](#) [ZPF000000000097891](#) [557-262M2-06C](#) [747360449](#) [10099439-003C-TRLF](#) [10137239-0021LF](#)