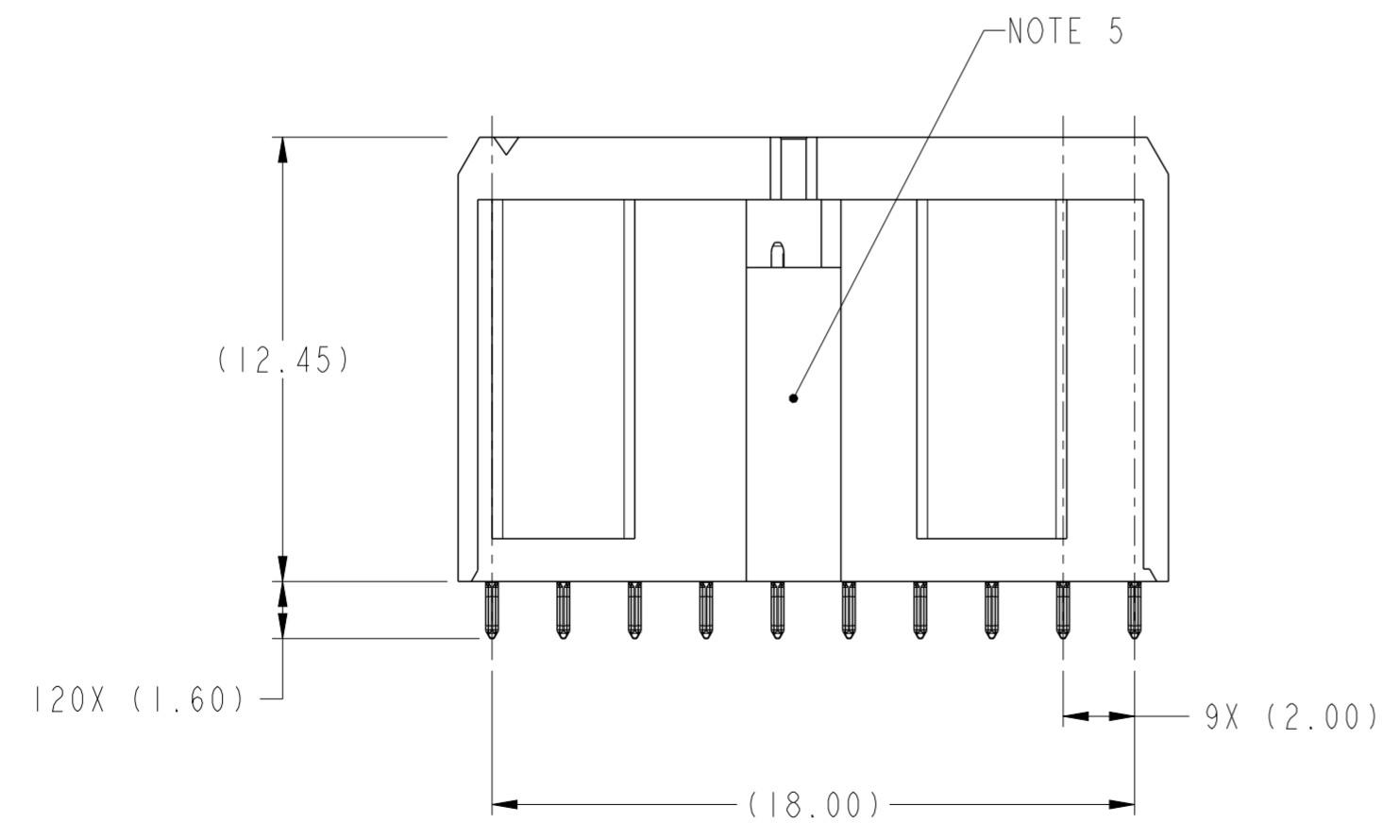
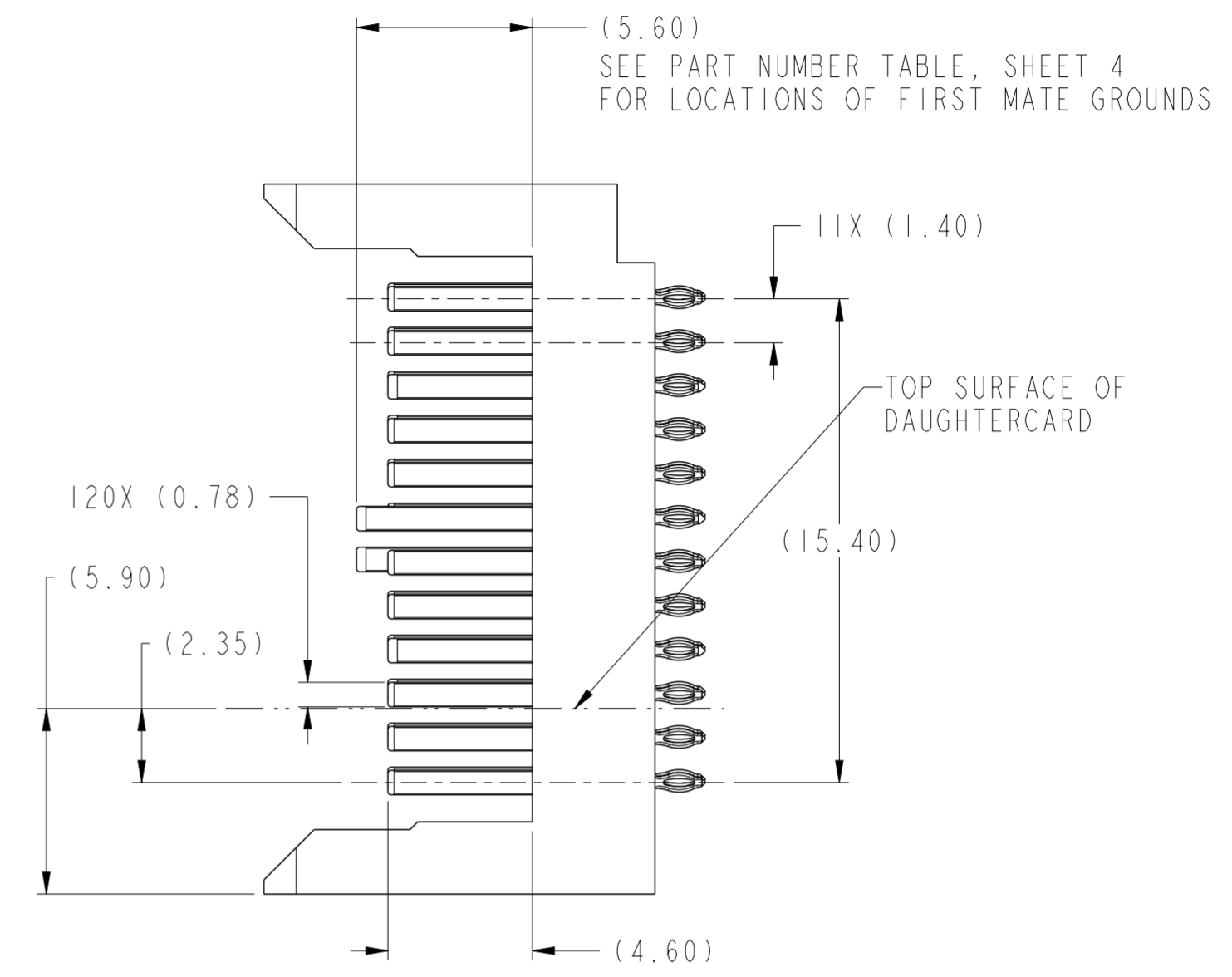
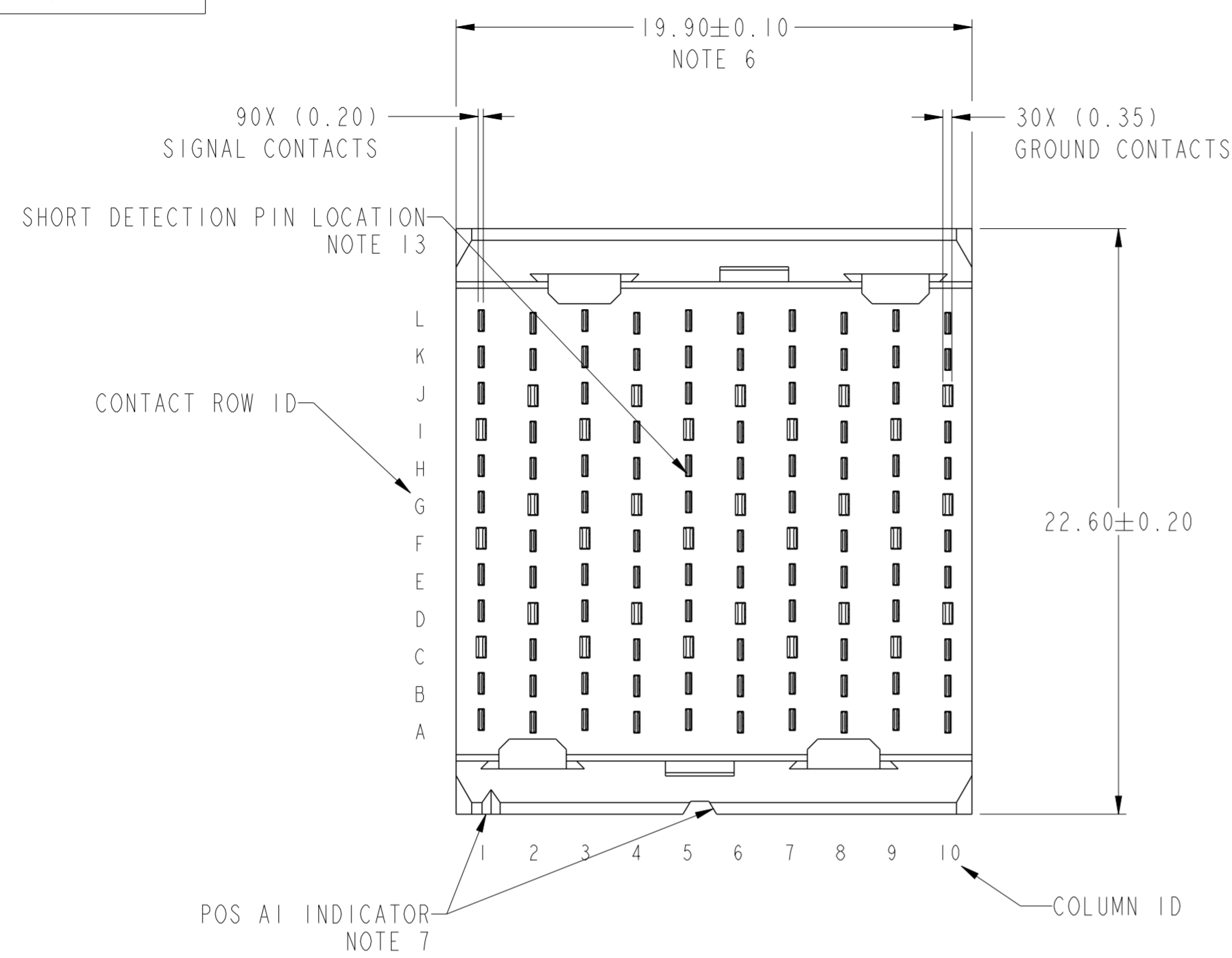


Product number  
SEE TABLE, SHT 4

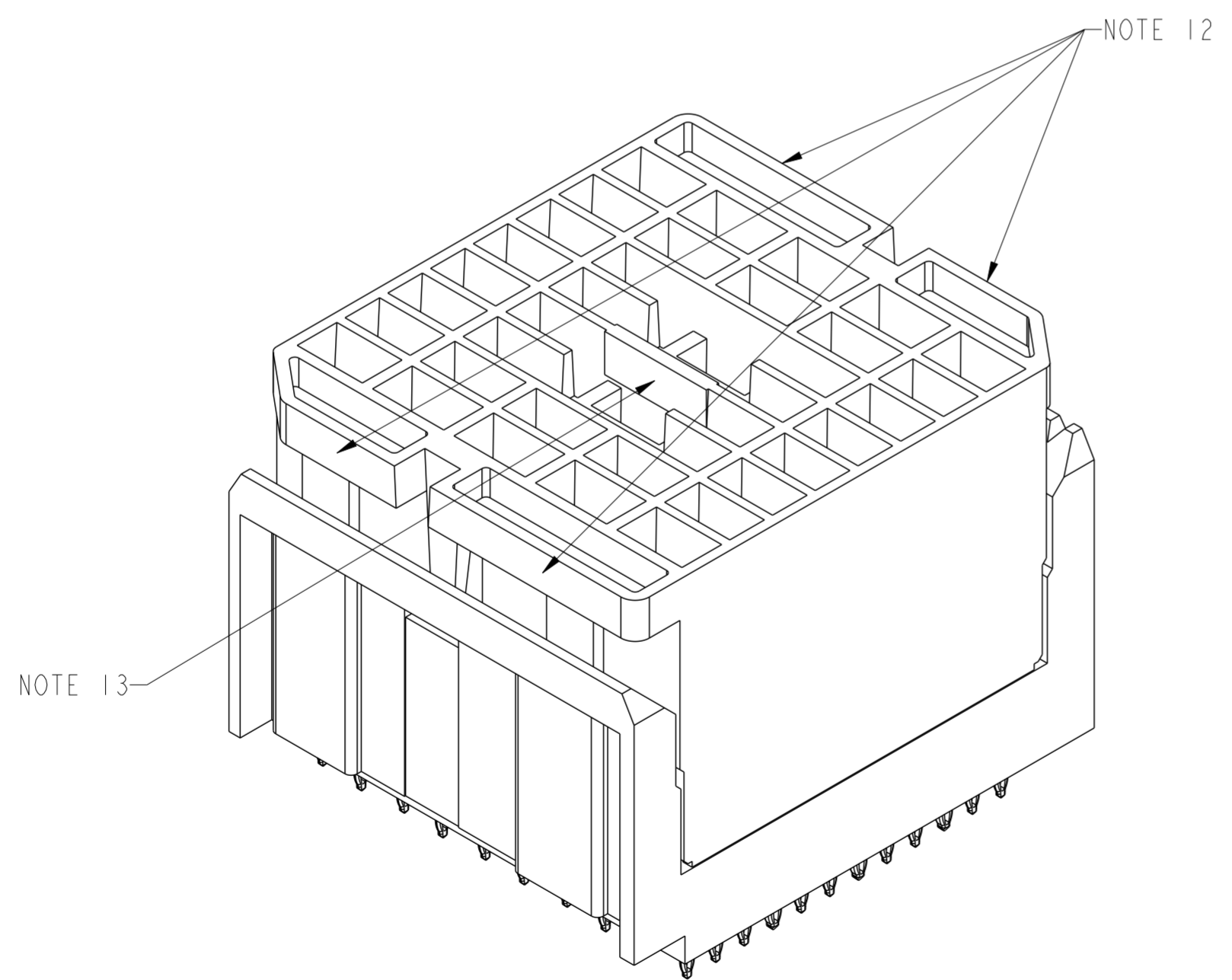
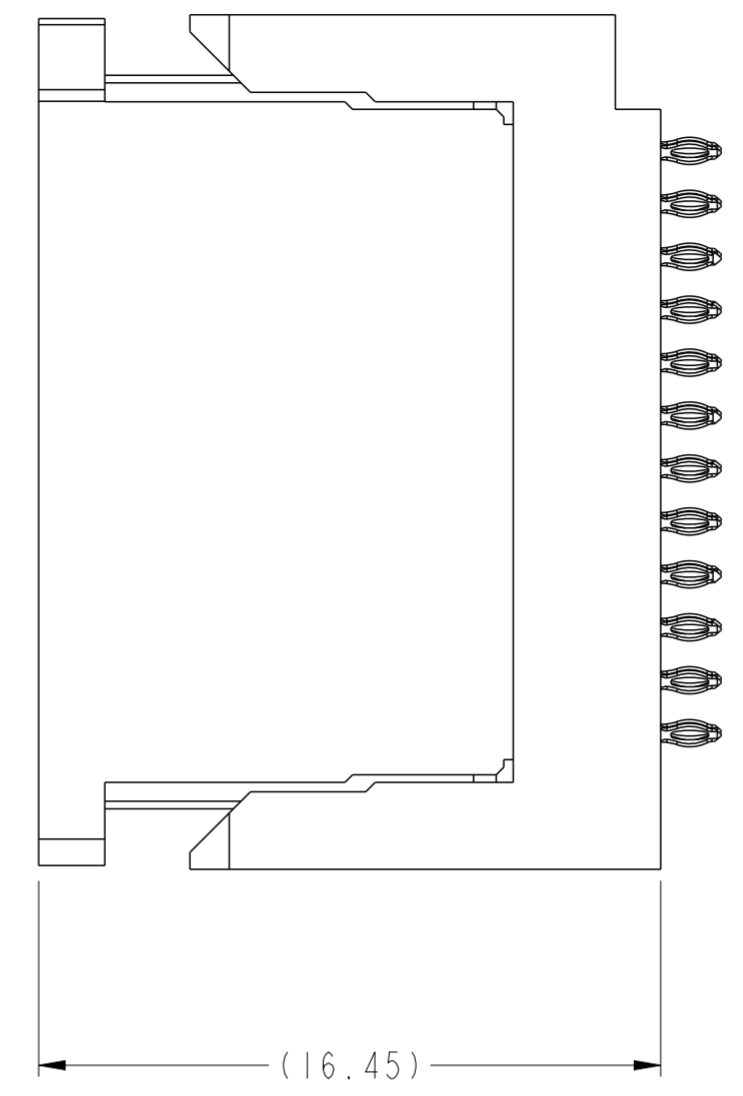
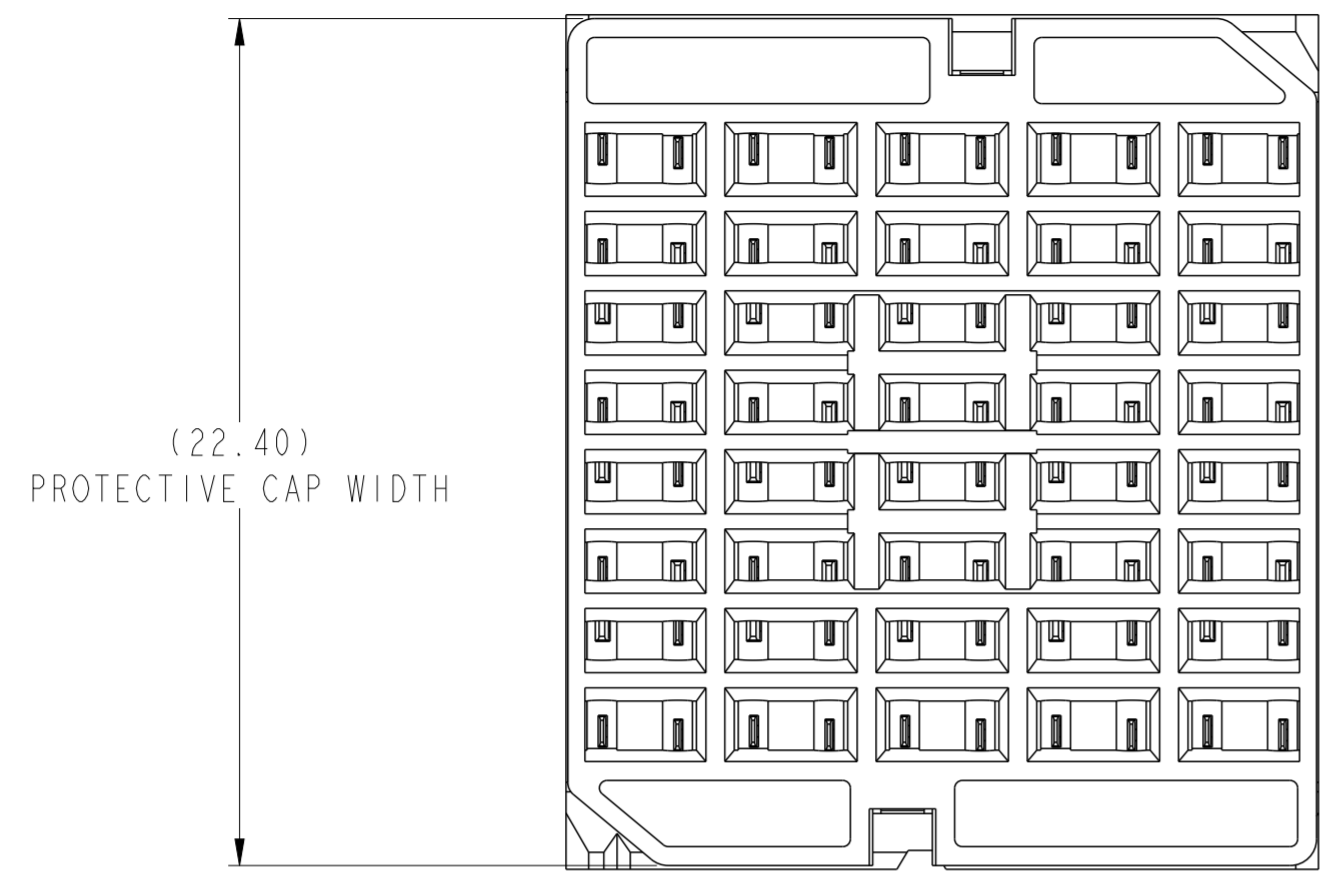


spec ref	-	dr	Sander Soe	2012/09/12	projection	MM	size	A2	scale	5:1			
tolerance std	ASME Y14.5	eng	Tao Zhan	2014/10/23			ecn no	ELX-DG-18510-1					
TOLERANCES UNLESS OTHERWISE SPECIFIED		chr	-	rel level			Released						
surface	✓	appr	Collins Lu	2014/10/23			product family	AIRMAX VS	cat. no.	10122770	rev	C	
ASME Y14.5	linear	0.X	±0.3	0.XX	±0.10	0.XXX	±0.050	angular	0°	±2°	www.fci.com	Product - Customer Drw	sheet 1 of 4

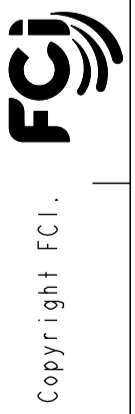
Copyright FCI. FCI

1 2 3 4 5 6 7 8

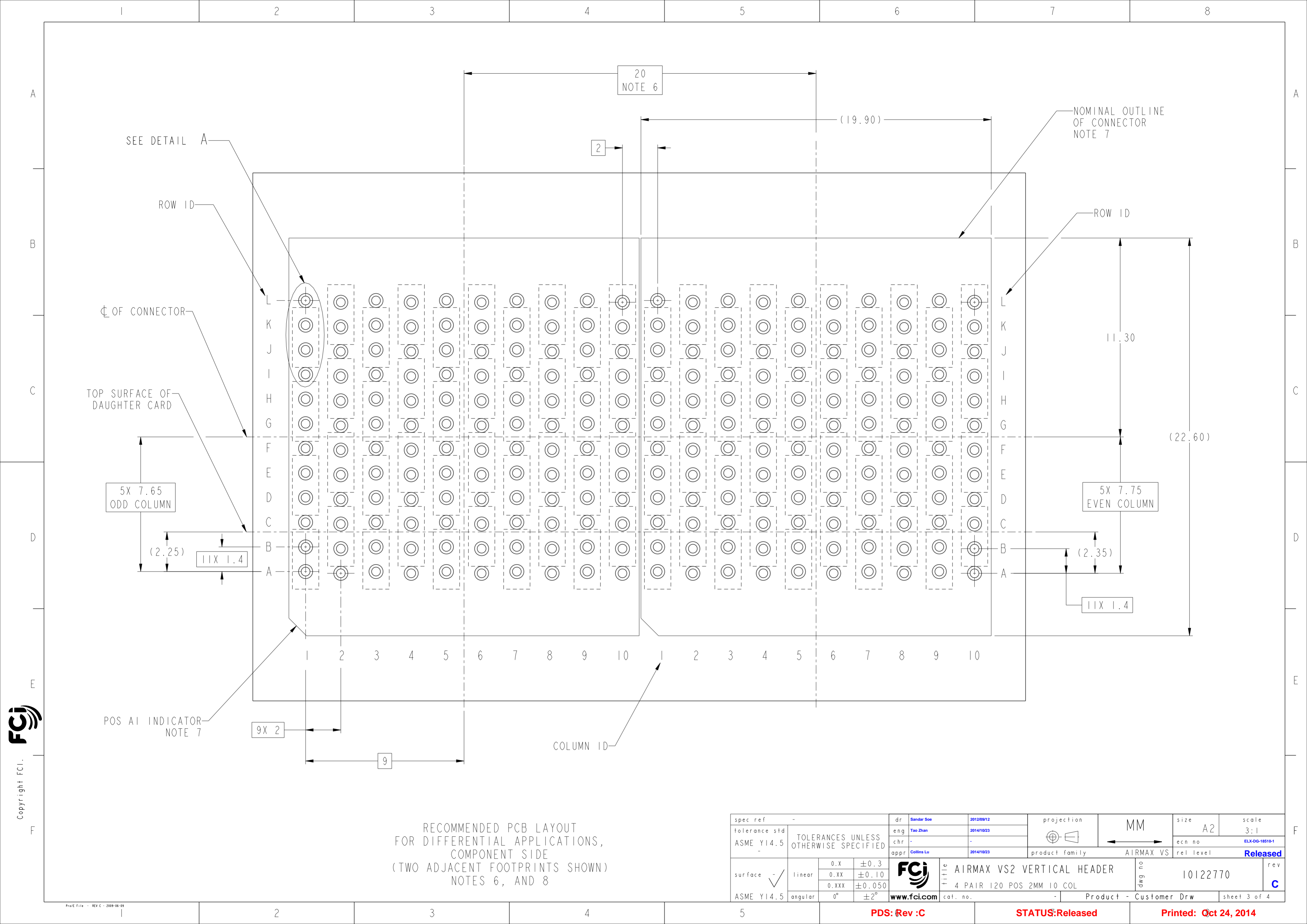
A  
B  
C  
D  
E  
F



VIEWS SHOWN WITH  
PROTECTIVE COVER INSTALLED  
10122770-1\*1LF



spec ref	-	dr	Sander Soe	2012/09/12	projection	MM	size	A2	scale	5:1
tolerance std	ASME Y14.5	eng	Tao Zhan	2014/10/23			ecn no	ELX-DG-18510-1		
		chr	-				rel level	Released		
surface	✓	appr	Collins Lu	2014/10/23	product family	AIRMAX VS	cat. no	10122770	rev	C
ASME Y14.5	angular	0°	±2°	www.fci.com	title	AIRMAX VS2 VERTICAL HEADER	4 PAIR 120 POS 2MM 10 COL	Product - Customer Drw	sheet 2 of 4	



Copyright FCI.

RECOMMENDED PCB LAYOUT  
FOR DIFFERENTIAL APPLICATIONS,  
COMPONENT SIDE  
(TWO ADJACENT FOOTPRINTS SHOWN)  
NOTES 6, AND 8

spec ref	-	dr	Sander Soe	2012/09/12	projection	MM	size	A2	scale	3:1
tolerance std	ASME Y14.5	eng	Tao Zhan	2014/10/23			ecn no	ELX-DG-18510-1		
TOLERANCES UNLESS OTHERWISE SPECIFIED		chr	-	rel level			Released			
surface	✓	appr	Collins Lu	2014/10/23			product family	AIRMAX VS	cat. no.	10122770
ASME Y14.5	linear	0.X	±0.3	0.XX	±0.10	0.XXX	±0.050	www.fci.com		
	angular	0°	±2°	Product - Customer Drw			sheet 3 of 4			

PDS: Rev :C

STATUS:Released

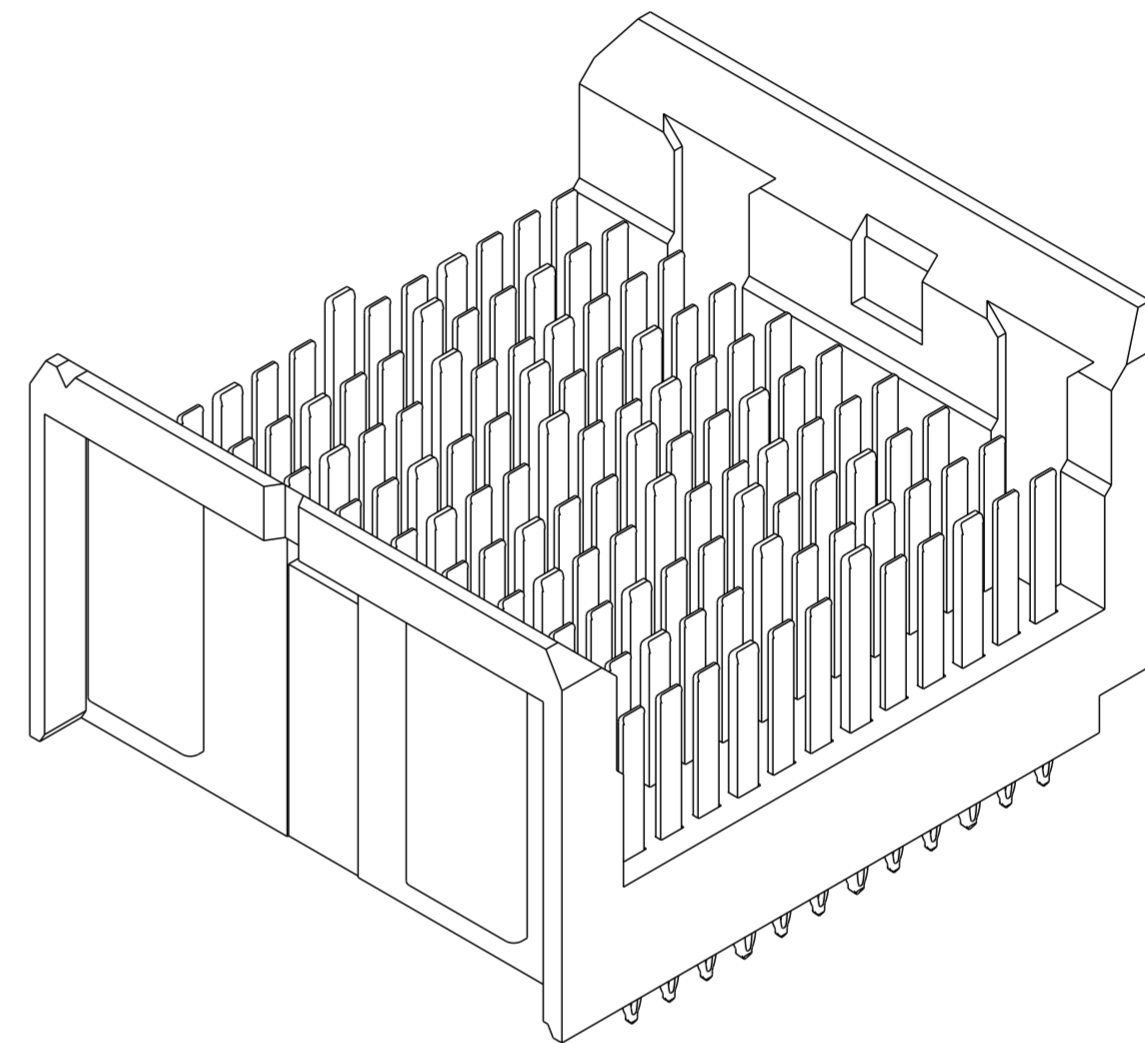
Printed: Oct 24, 2014

PART NUMBER	PRESS-FIT TAIL PLATING TYPE	DETECTION PIN	PROTECTIVE COVER	LONG GND PIN LOCATIONS (5.6mm)	REMARKS
10122770-101LF	TIN OVER NICKEL (LEAD FREE)	NO	YES	F1, F3, F5, F7, F9, G2, G4, G6, G8, G10	2-SIDED PLATING
10122770-111LF		YES	YES		
10122770-121LF		YES	YES	NO LONG GND PIN	

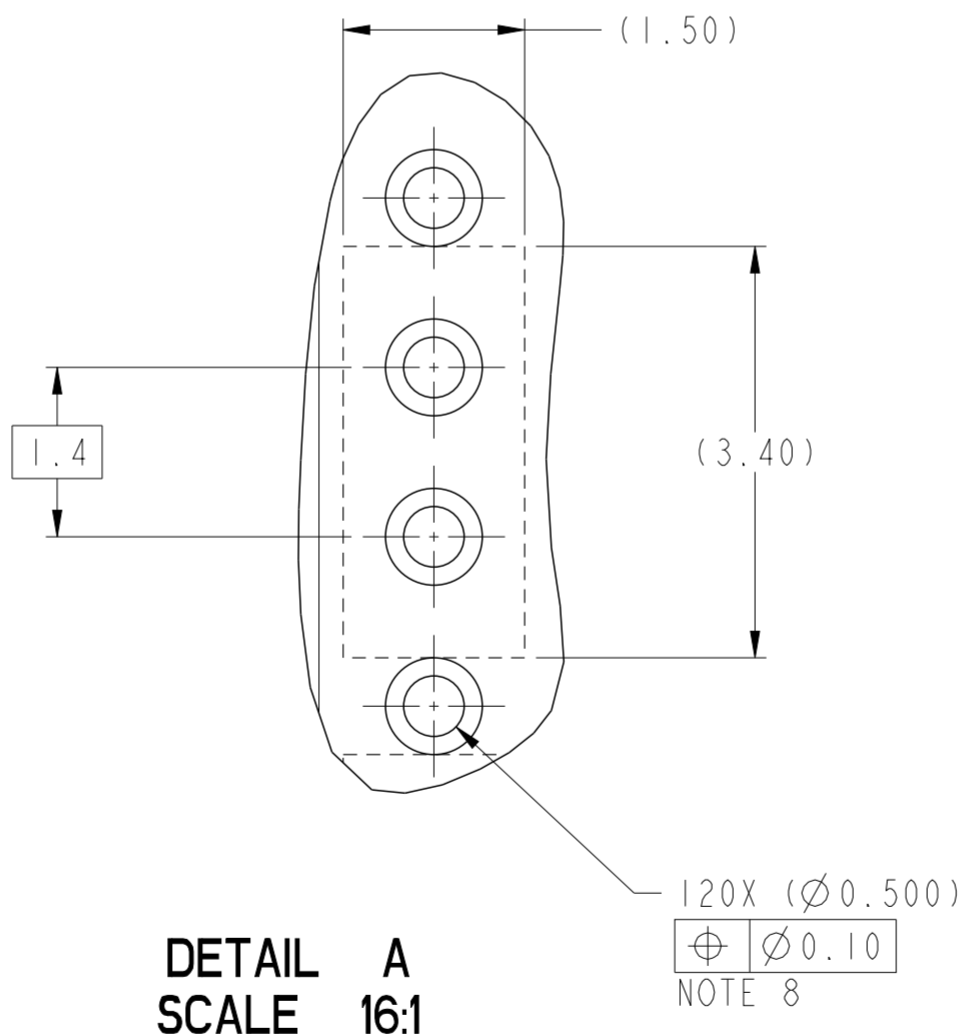


NOTES:

- CONNECTOR MATERIALS:  
HOUSING: HIGH TEMP THERMOPLASTIC, BLACK, UL94V-0  
CONTACT: COPPER ALLOY
- CONTACT PLATING:  
SEPARABLE INTERFACE: PERFORMANCE-BASED PLATING, QUALIFIED TO MEET THE REQUIREMENTS OF FCI PRODUCT SPECIFICATION GS-12-239 INCLUDING TELCORDIA GR-1217-CORE (NOVEMBER 1995) CENTRAL OFFICE TEST SEQUENCE  
PRESS-FIT TAILS: SEE TABLE
- PRODUCT SPECIFICATION: GS-12-239.
- APPLICATION SPECIFICATION: GS-20-035.
- PRODUCT MARKING, (PROTOTYPE, PART NUMBER & LOT CODE), ON THIS SURFACE.
- THE MINIMUM CENTERLINE SPACING BETWEEN ADJACENT MODULES IS 20.0 mm.
- CONNECTOR OUTLINE WITH HOUSING POS A1 INDICATOR MAY BE SCREEN PRINTED ONTO CUSTOMER PCB TO BE USED AS A GUIDE FOR MANUAL CONNECTOR PLACEMENT.
- REFER TO CUSTOMER DRAWING 10104444 FOR INFORMATION ON PCB HOLE DIAMETERS AND PLATING OPTIONS.
- THIS PRODUCT MEETS EUROPEAN UNION DIRECTIVES AND OTHER COUNTRY REGULATIONS AS DESCRIBED IN GS-22-008.
- PACKAGING MEETS GS-14-920 LEAD FREE LABELING SPECIFICATION.
- FOR REMOVAL OF THE PROTECTIVE CAP BY HAND GRIP USING THESE SURFACES.
- FOR REMOVAL OF THE PROTECTIVE CAP WITH PLIERS GRIP USING THIS FEATURE.
- SHORT DETECTION PIN IS 0.5mm LESS WIPE NOMINLA THAN THE SHORTEST PIN .
- A SYMBOL WILL BE NEXT TO ANY DIMENSION, VIEW, OR NOTE THAT HAS BEEN MODIFIED WITH THE CURRENT DRAWING REVISION.



10122770-1\*1LF WITHOUT PROTECTIVE COVER



DETAIL A  
SCALE 16:1

spec ref	-	dr	Sander Soe	2012/09/12	projection	MM	size	A2	scale	5:1		
tolerance std	ASME Y14.5	eng	Tao Zhan	2014/10/23			ecn no	ELX-DG-18510-1				
TOLERANCES UNLESS OTHERWISE SPECIFIED		chr	-	appr			Collins Lu	2014/10/23	product family	AIRMAX VS	rel level	Released
surface	✓	linear	0.X	±0.3		<b>AIRMAX VS2 VERTICAL HEADER</b> 4 PAIR 120 POS 2MM 10 COL	dwg no 10122770	rev C	Product - Customer Drw			
		angular	0°	±2°					www.fci.com	cat. no.	sheet 4 of 4	

## X-ON Electronics

Largest Supplier of Electrical and Electronic Components

*Click to view similar products for [High Speed/Modular Connectors](#) category:*

*Click to view products by [Amphenol](#) manufacturer:*

Other Similar products are found below :

[2332816-1](#) [89006-1137LF](#) [650827-1](#) [65762-001LF](#) [73474-201LF](#) [74040-1346](#) [74075-0267](#) [88911-201LF](#) [9514M0C20D](#) [1410191-1](#)  
[1410337-1](#) [1410368-3](#) [1410964-2](#) [1410326-3](#) [1410367-3](#) [1410971-4](#) [1467833-1](#) [2000877-1](#) [2000878-1](#) [2041314-1](#) [2065387-1](#) [2187307-1](#)  
[2187462-1](#) [2226278-6](#) [KA81-07](#) [91290-101LF](#) [1934290-1](#) [2000875-1](#) [2065917-1](#) [2102736-2](#) [FSR-40](#) [2169868-2](#) [2226279-2](#) [22354-8](#) [437-](#)  
[5040-000](#) [5-1393565-0](#) [532449-3](#) [532803-2](#) [34745-0001](#) [0740618502](#) [0760151403](#) [0760551105](#) [0760551608](#) [0761451128](#) [0761651124](#)  
[0761655108](#) [0761659807](#) [0769853208](#) [0736440217](#) [0758324203](#)