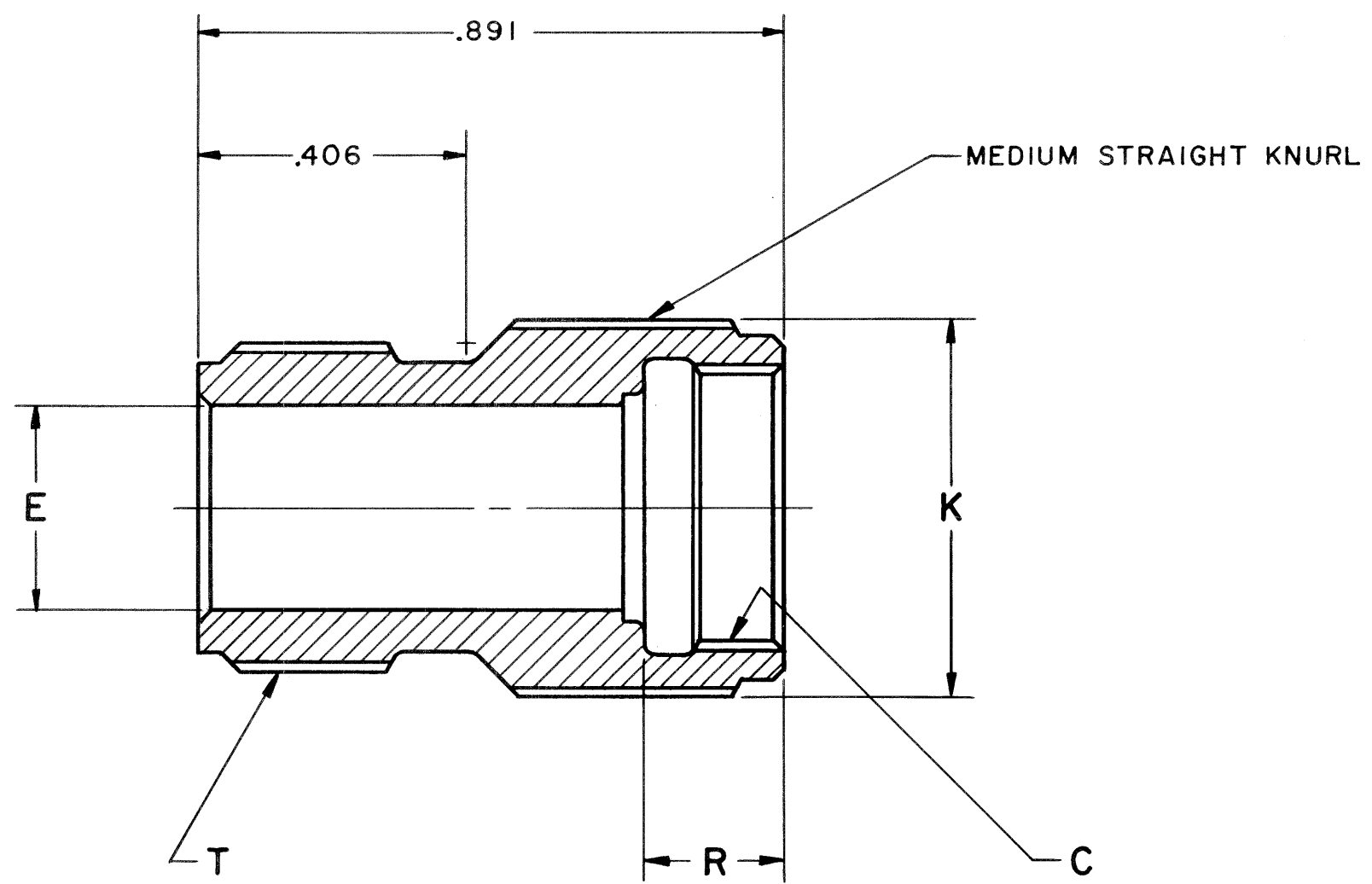


PART NUMBER	C THREAD CLASS 2B	E DIA ±.005	K DIA MAX	R +.000 -.010	T THREAD CLASS 2A	RELEASE	MADE FROM
10-123011-6	.3125-32 UNEF	.190	.469	.215	.3750-32 UNEF	31508-287	10-123011-6B
-8	.4375-28 UNEF	.312	.594		.5000-28 UNEF		-8B
-10	.5625-24 UNEF	.436	.719		.6250-24 UNEF		-10B
-12	.6875-24 UNEF	.561	.844		.7500-20 UNEF		-12B
-14	.8125-20 UNEF	.678	.969		.8750-20 UNEF		-14B
-16	.9375-20 UNEF	.802	1.094		1.0000-20 UNEF		-16B
-18	1.0625-18 UNEF	.894	1.219		1.1875-18 UNEF		-18B
-20	1.1875-18 UNEF	1.029	1.312	.312	1.1875-18 UNEF		-20B
-22	1.3125-18 UNEF	1.150	1.469		1.4375-18 UNEF		-22B
-24	1.4375-18 UNEF	1.274	1.594		1.4375-18 UNEF	33524-599	-24B

REL NO. 31508-287		REVISIONS			
CHG NO.	SYM	DESCRIPTION	DATE	APPROVED	
43525-746	A1	REDRAWN, WAS SIZE "B" TYPE WRITTEN; PROVIDED ENVELOPE DWG	11-21-64	W. GAY	
47524-170	A2	ADD & REL -XX9 FINISH	11-16-65	W. GAY	
55524-58	A3	ADD & REL -XXG FINISH	11-16-65	W. GAY	
72024-54	B	(CLII) ADD & REL -XX7 FINISH	5/12/81	WILKINSON	
76484-1	C	(CLII) ADDED MADE FROM COLUMN	11-2-66	WILKINSON	
80444-1	D	(CLII) ADD & REL -XX8 TO NOTE 1	9-1-69	WILKINSON	
82906	E	(CLII) ADD & REL -XXY FINISH	3-5-97	JED	
85035	F	ADD AND REL -XXX FINISH TO COLUMN	11/10/93	JED	
85448	G	(CLII) SEE ECN: 85448	4-27-99	JED	
86546	H	(CLII) ADD & RELEASE -XXU FINISH & DATA	4-28-99	JED	



USE OF THIS DOCUMENT IS UNLIMITED. DOCUMENTS REFERENCED HEREON CONTAIN LIMITED RIGHTS DATA.

3. REF SYMBOL

2. THREADS ARE IN ACCORDANCE WITH FEDERAL HANDBOOK H-28.

1. TO COMPLETE PART NO., ADD APPLICABLE LAST DIGIT TO SUFFIX FOR DESIRED FINISH.

CHROMATE TREAT	SUFFIX -XX0
CADMIUM PLATE	SUFFIX -XX1
BLACK ANODIZE	SUFFIX -XX2
CADMIUM PLATE OLIVE DRAB	SUFFIX -XX3
GREY ANODIZE	SUFFIX -XX4
ANODIC COATING	SUFFIX -XX5
BRIGHT CADMIUM PLATE, NICKEL BASE	SUFFIX -XX7
NICKEL ALLOY PLATE	SUFFIX -XXG
CAD PLATE, O.D. NICKEL BASE	SUFFIX -XX9
BRIGHT NICKEL	SUFFIX -XX8
BLACK ZINC ALLOY PLATE	SUFFIX -XXY
BLACK ZINC CONDUCTIVE	SUFFIX -XXX

RELEASE NO.		
38524-872	9-3350	GREEN ZINC
35524-218	9-2158	ALLOY PLATE
35524-218	9-3487	SUFFIX-XXU 9-9263
32525-260	9-3047	
31508-287	9-3487	
35508-72	9-3290	
55524-58	9-4332	
47524-170	9-6914	
42524-249	9-4960	
	9-3435	
	9-9181	
	9-9181-1	

ITEM NO.	QTY REQD	DESCRIPTION	PART NUMBER	CODE IDENT	ZONE														
PARTS LIST																			
UNLESS OTHERWISE SPECIFIED			NEXT ASSEMBLY																
LINEAR DIMENSIONS ARE IN INCHES. TOLERANCES: 3 PLACES ±.010; 2 PLACES ±.03; 1 PLACE ±.1; ANGLES ±2°. OTHER STANDARDS PER SCINTILLA SPEC 9-3800 AND MIL-STD 8.			<table border="1"> <tr> <td>DRAWN: HAYES</td> <td>DATE: 7-12-56</td> </tr> <tr> <td>CHECKED: Teelon</td> <td>DATE: 4-7-65</td> </tr> <tr> <td>MATERIAL:</td> <td></td> </tr> <tr> <td>STANDARDS: J. Balantini 4-7-65</td> <td></td> </tr> <tr> <td>DRAFTING: D Sweet 4-7-65</td> <td></td> </tr> <tr> <td>ENGINEERING: W. G. Harrison 4-7-65</td> <td></td> </tr> <tr> <td>DEVELOPMENT:</td> <td></td> </tr> </table>			DRAWN: HAYES	DATE: 7-12-56	CHECKED: Teelon	DATE: 4-7-65	MATERIAL:		STANDARDS: J. Balantini 4-7-65		DRAFTING: D Sweet 4-7-65		ENGINEERING: W. G. Harrison 4-7-65		DEVELOPMENT:	
DRAWN: HAYES	DATE: 7-12-56																		
CHECKED: Teelon	DATE: 4-7-65																		
MATERIAL:																			
STANDARDS: J. Balantini 4-7-65																			
DRAFTING: D Sweet 4-7-65																			
ENGINEERING: W. G. Harrison 4-7-65																			
DEVELOPMENT:																			
MATERIAL SPEC ALUMINUM ALLOY		PROCESS SPEC		THE Bendix CORPORATION SCINTILLA DIVISION SIDNEY, NEW YORK, U.S.A.															
ADAPTER, ELECTRICAL CONNECTOR, TYPE PB(), (ENVELOPE DRAWING)																			
CODE IDENT NO.		SIZE		77820 C 10-123011															
SCALE NONE		WT		REF SHEET															

10-123011

X-ON Electronics

Largest Supplier of Electrical and Electronic Components

Click to view similar products for [Circular MIL Spec Contacts](#) category:

Click to view products by [Amphenol](#) manufacturer:

Other Similar products are found below :

[006-0984-20](#) [006-1186-20](#) [601101N004](#) [CT0E20-22SS](#) [CT1N20-23SS](#) [CT2-36-10PCAU](#) [CT6F36-10PCA152](#) [M39029/106-616](#) [M39029/18-179](#) [M39029/30-222](#) [M39029/31-235](#) [M39029/48-318](#) [M39029/73-397](#) [M39029/9-133](#) [M39029/9-134](#) [M5000-054-0020L](#) [M5100-057-2162](#) [809-023](#) [809-111](#) [811393-000](#) [850-014](#) [FRCIR01-20-4S-F80-VO](#) [900062-6-8L](#) [97-45-1418P-5\(920\)](#) [97-45-1418S-4](#) [97-45-1622P-5](#) [97-45-1622S-4\(920\)](#) [97-45-1622S-5](#) [97-55-1622S-5](#) [D-602-0104CS076](#) [D-602-0106CS076](#) [AIC12-10P](#) [AIC12-12SG](#) [AIC12-14P](#) [AIC16-16PG](#) [AIC16-2024SG](#) [AIC16S-16PG](#) [AIC8-12P](#) [AIC8-12S](#) [AIC8-8SG](#) [AIC8-8SRAD](#) [1495044-1](#) [BA-4016-50LD](#) [162GB-149-20000-05](#) [BACC47CP2T](#) [BACC47DP4](#) [BACC47GC1A](#) [BACC47GN1](#) [173-900245-91](#) [CA02R28-12PA152F80](#)